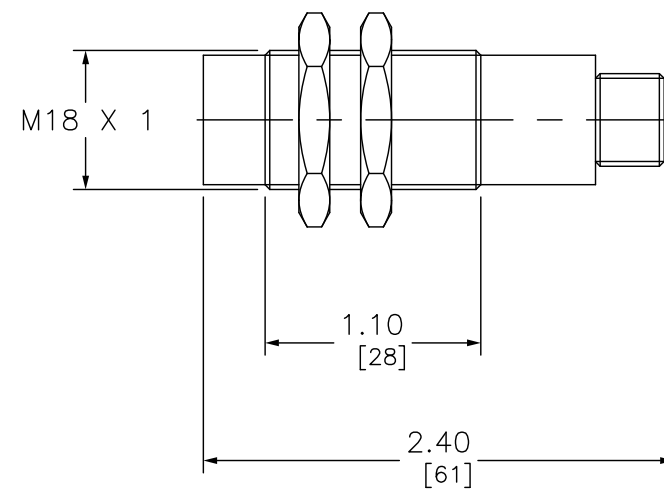


FRONT



RIGHT

DUAL DIMENSIONS: INCHES  
MILLIMETERS

PHOTOELECTRIC SENSOR 18MM PNP XUB



DWG# XUB1APANM12  
NO.