

TINI Q-G® CONNECTORS

PRODUCT BULLETIN 550

TRASM*M, TRAPC*M Series

Switchcraft introduces an expansion of its popular TQG Series of connectors. The TRASM*M and TRAPC*M offers low profile, right angle PC board mount connectors. The TRASM*M versions are true surface mount connectors, while the TRAPC*M versions are through-hole PC mount connectors. Both versions are available in 3-8 pins. All plastic connectors, the TRASM*M and TRAPC*M series have flats on the top of the connectors to facilitate pick and place assembly. As an added option, a non-threaded bushing version is also available. See the Engineering Design Guide or our website for the complete line of Tini QG® connectors.

Features and Benefits

- Low profile, compact design reduces PC board space
- Mates with TQG female cord plugs
- Rated at 5A for 3-6 pins, 3A for 7 and 8 pin versions

Markets

- Wireless microphone systems
- Medical Instrumentation
- Test Instrumentation

Specifications

Materials:

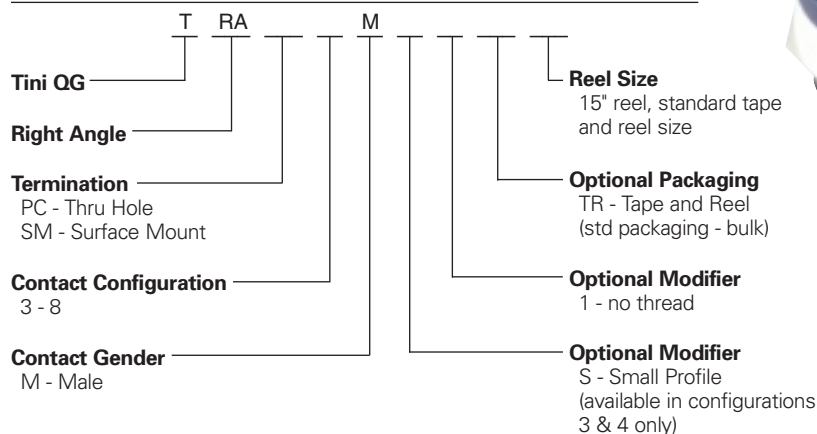
Housing: Thermoplastic
Contacts: Brass, tin-plated
Nut and Washer: Brass, nickel-plated

Electrical

Current Rating: 5A for 3-6 pins, 3A for 7 and 8
Contact Resistance: 10 m Ohm max
Insulation Resistance: 100 m Ohm min
Dielectric Withstanding Voltage: 250VAC

Mechanical Life: 2,000 cycles

Ordering information



TRASM3M



TRAPC3MS

Switchcraft®

www.switchcraft.com