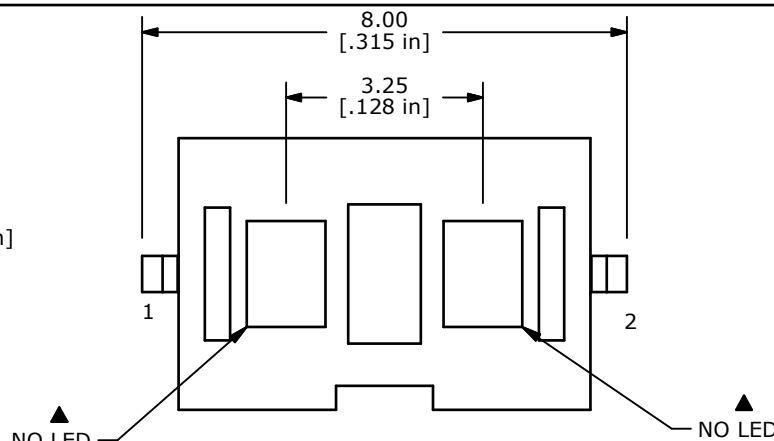


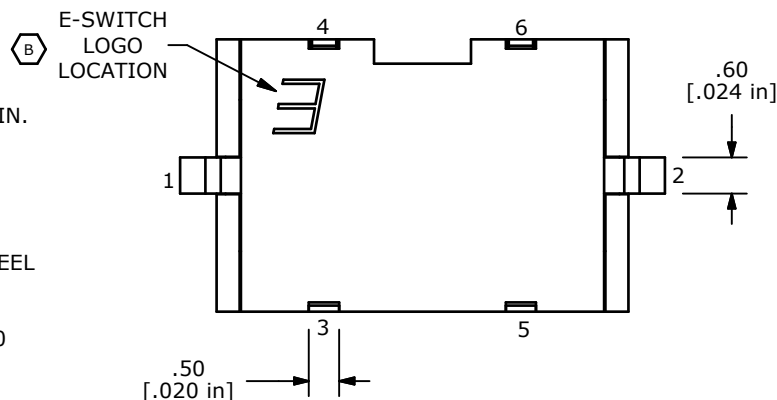
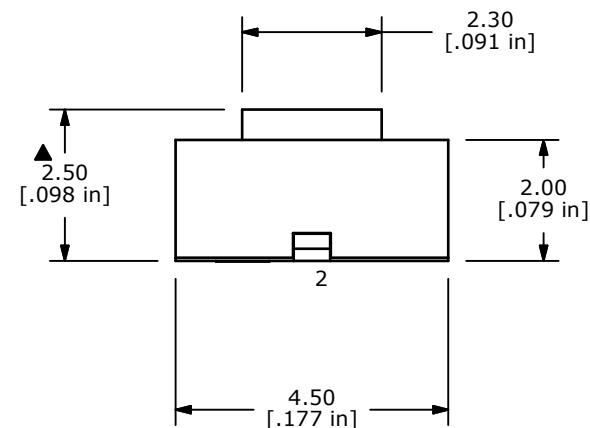
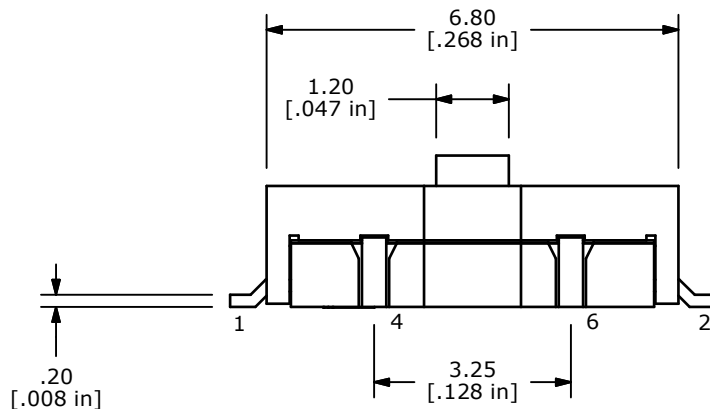
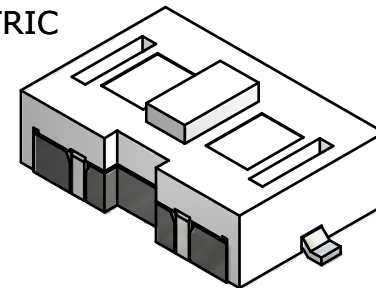
▲CIRCUIT: OFF - (ON)

NOTES:

1. ALL DIMENSIONS IN MM [INCH]
2. GENERAL TOLERANCE: X.X=± 0.4
X.XX=± 0.25
3. RATING: 12VDC, 50mA MAX.
4. CONTACT RESISTANCE: 500mΩ MAX.
5. INSULATION RESISTANCE: 100VDC, 100MΩ MIN.
6. TRAVEL: 0.25 mm
- ▲ 7. OPERATING FORCE: 160 +75/-30gf
8. OPERATING TEMPERATURE: -20°C TO 70°C
9. OPERATING LIFE: 30,000 CYCLES.
10. PACKAGING: TAPE & REEL, 3000 PIECES PER REEL
11. ▲ DENOTES CRITICAL PARAMETER
12. 2002/95/EC (ROHS) COMPLIANT
- ⓐ 13. PLASTIC MATERIALS MEET OR EXCEED UL94-V0



ISOMETRIC



C	19366	ADD NOTE 13	10/19/10	BLR
B	19193	DEFINE LOGO LOCATION	7/14/10	BLR
A	19185	RELEASED FOR PRODUCTION	7/13/10	BLR
REV	PCR NO	DESCRIPTION	DATE	BY

THE INFORMATION CONTAINED IN THIS DOCUMENT IS PROPRIETARY TO E-SWITCH AND IS NOT TO BE COPIED OR TRANSFERRED



TITLE TL3200AF160NNQ

SCALE	8:1	DATE	10/19/2010	DR	BLR	DWG	B200109	REV	C
-------	-----	------	------------	----	-----	-----	---------	-----	---