

All components used in this connector conform to RoHS standards.



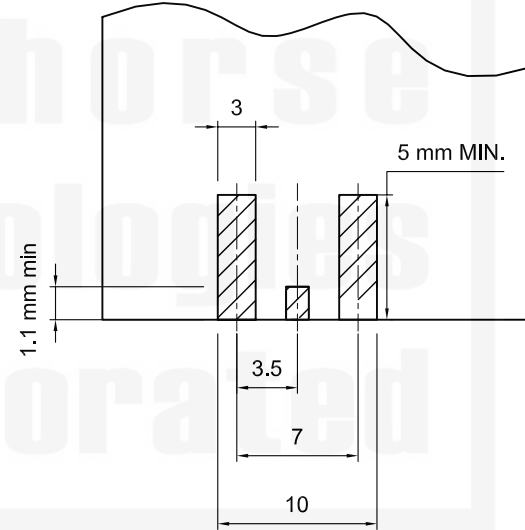
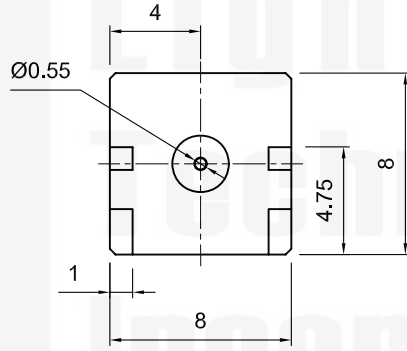
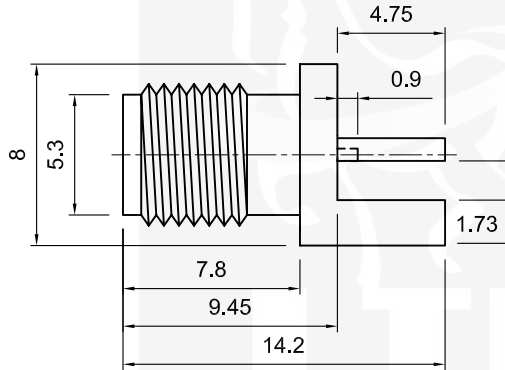
**Tolerances**  
 1-20=+/-0.2  
 20-30=+/-0.3  
 30-40=+/-0.4  
 40-50=+/-0.5  
 50-100=+/-0.75  
 100-300=+/-1.5  
 Angles=+/-1  
**Dimensions are in Millimeters**

Revisions	Approved	Date
Description/Approved/Date	M.H.	11/16/04
pad layout pin depth added.(1.1 min). Pin pad corrected to flush. 091609 mh	Checked	Date
	M.H.	11/16/04
	Drawn	Date
	K.R.E.	11/16/04
NOTES (plating thickness in micro-inches):		
1. Per QQ-B-626	5. Per MIL-P-19468	9. Nickel pl. 100 min. over copper strike
2. Per QQ-S-764	6. Per ZZ-R-765	10. Per QQ-P-35
3. Per QQ-C-530	7. Per WW-T-799	11. Gold pl. 30 min. over nickel pl. 50 min. over copper strike
4. Per QQ-B-750	8. Gold pl. 5 min. over nickel pl. 50 min. over copper strike	

**Approved by:**  
**Date:**

**Electrical Ratings**

Frequency Range: DC ~ 26.5 GHz  
 Impedance: 50 ohm  
 Insulation Resistance: 10000 Mohm min  
 Dielectric Withstanding Volatage: 1000 (Vrms min. at sea level)



RECOMMENDED LANDING PAD DIMENSIONS

ITEM	MATERIAL	FINISH
Connector Body	Brass, Note 1	Gold, Note 8
Center Contact: F	BeCu, Note 3	Gold, Note 11
Insulation	Teflon, Note 5	None
Ferrule		
Gasket		
Hex Nut		
Lock Washer		

**Lighthouse Technologies, Inc.**  
 9511 Ridgehaven Court, Suite B  
 San Diego, California 92123  
 Part Number: **LTI-SASF55ZGT-P2**

Description		
SMA 26.5 GHz end launch jack for a .062" PCB board.		
Gold plated brass body, Teflon dielectric.		
Scale	Drawing No.	File Name
1:1		SASF55ZGT-P2