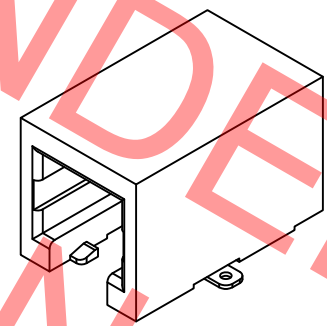


RECOMMENDED PCB LAYOUT
AS VIEWED FROM COMPONENT SIDE



Specification 规格:

Electrical 电气规格:

- Voltage Rating 电压额定值: 125 V AC (RMS)
- Current Rating 电流额定值: 1.5 Amp
- Contact Resistance 接触电阻值: 35mΩ Max.
- Insulation Resistance 绝缘电阻值: 1000MΩ Min. @ 500 VDC
- Dielectric Strength 电介质强度: 1000 VAC RMS 60Hz, 1 Min.

Material 物料规格:

- Housing Material 塑胶外壳: Hi-Temp Thermoplastic UL94V-0, Black
- Contact Material 端子材料: Phosphor Bronze 0.35mm Thickness
- Plating 电镀规格: Gold Plating over Nickel
- Operating Life 使用寿命: 750 Cycles Min.
- PCB Retention Force After Solder 焊接后保持力: 10 LBS Min.

Environmental 环境的:

- Storage Temperature 储存温度: -40°C to +85°C
- Operation Temperature 使用温度: -40°C to +85°C
- Wave Solder Temperature 波峰焊接温度: 255°C to 265°C, 5~10 seconds

Ordering Grid

MJ3410 - 44 - X Request Samples and Quotation

No. of Positions/
Positions Loaded
44 = 4/4

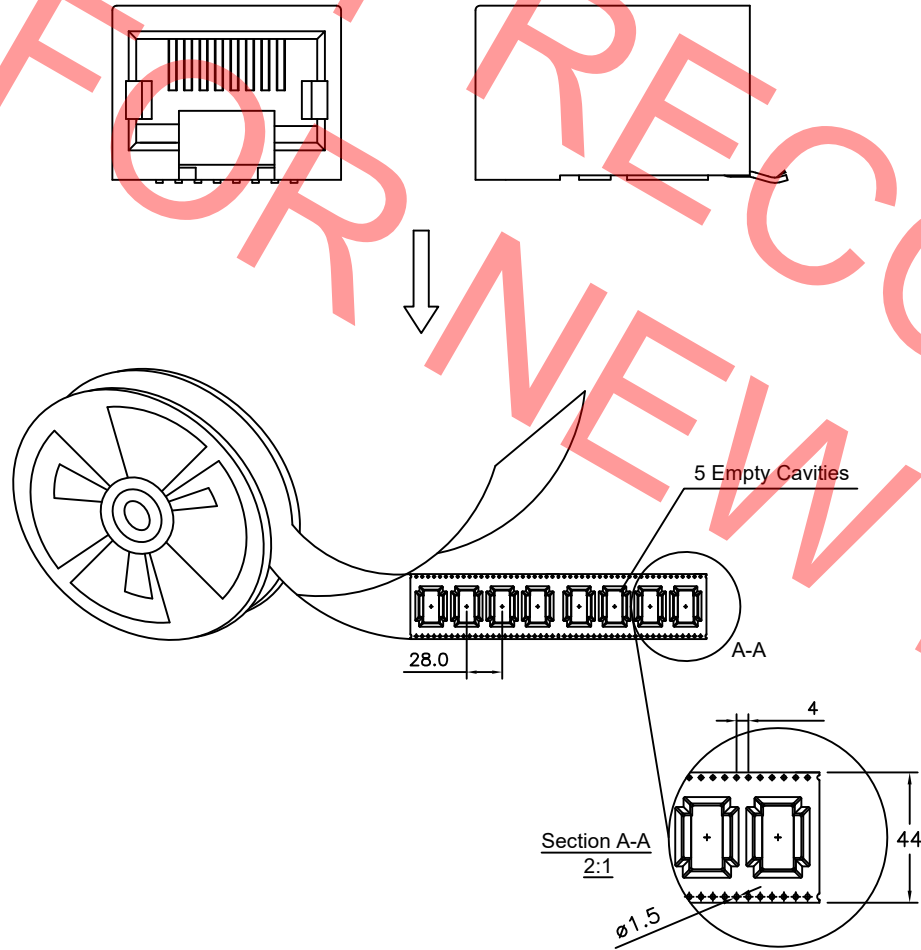
Contact Plating
2 = 6μ" Gold (Standard)
4 = 30μ" Gold

Part Number		Product Description	
MJ3410 4 Position		Modular Jack Connector, 4 Position, Category 3, Right Angle SMT, With Outside Solder Tab, Standard Latch	
Drawing Date		12th May 2010	
By	AJO	Tolerances (Except as Noted)	Units: Metric (mm)
Detail	MJ3410 B PCN		
Revision	B	X.X ± 0.20	± 5°
Date	15/06/12	X.XX ± 0.15	
		X.XXX ± 0.10	
		 This drawing is confidential and copyright of Global Connector Technology, Ltd (GCT). This drawing must not be copied or disclosed without written consent. E & OE	
		 www.gct.co	
Not to Scale	Drawn By PKN	Sheet No. 1/2	

1. Packing Material 包材 - Tape Reel

Quantity 數量 - 1*160=160 PCS

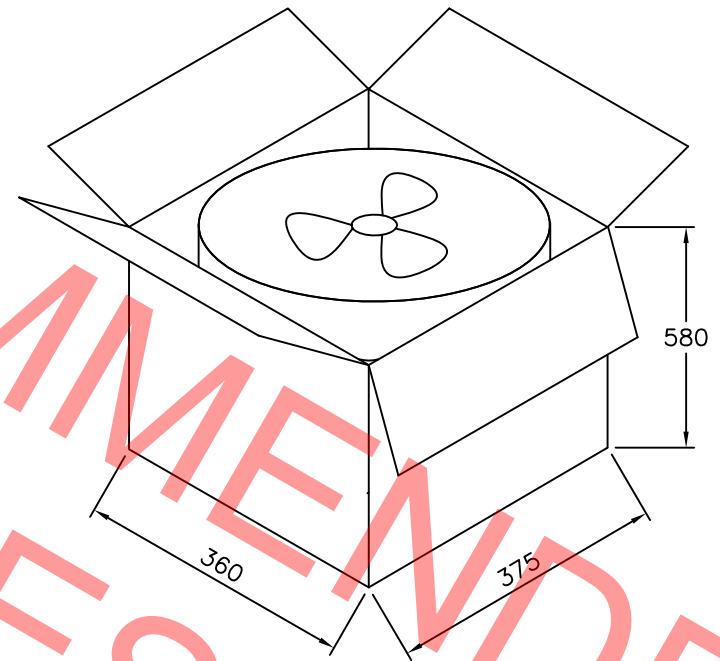
Tape Reel 卷帶 - Width 44 * 0.5mm * Pitch 24mm = Total Length 4.12m
 Reel 卷盤 - ø330mm



2. Packing Material 包材 - Carton 1 PC

Quantity 數量 - 160*10=1600 PCS

Part Number 零部件料号	Net Weight 淨重	Gross Weight 毛重	Q'TY 數量
MJ3410-44-X	7.50Kg	7.90Kg	1600



Part Number MJ3410 4 Position		Product Description Modular Jack Connector, 4 Position, Category 3, Right Angle SMT, With Outside Solder Tab, Standard Latch		 www.gct.co
Drawing Date 12th May 2010				
By AJO	Detail MJ3410 B PCN	Tolerances (Except as Noted) Length X.X ± 0.20 X.XX ± 0.15 X.XXX ± 0.10	Angle ± 5°	Units: Metric (mm) This drawing is confidential and copyright of Global Connector Technology, Ltd (GCT). This drawing must not be copied or disclosed without written consent. E & OE
Revision B	Date 15/06/12			Not to Scale Drawn By PKN Sheet No. 1/2