



Since 1959

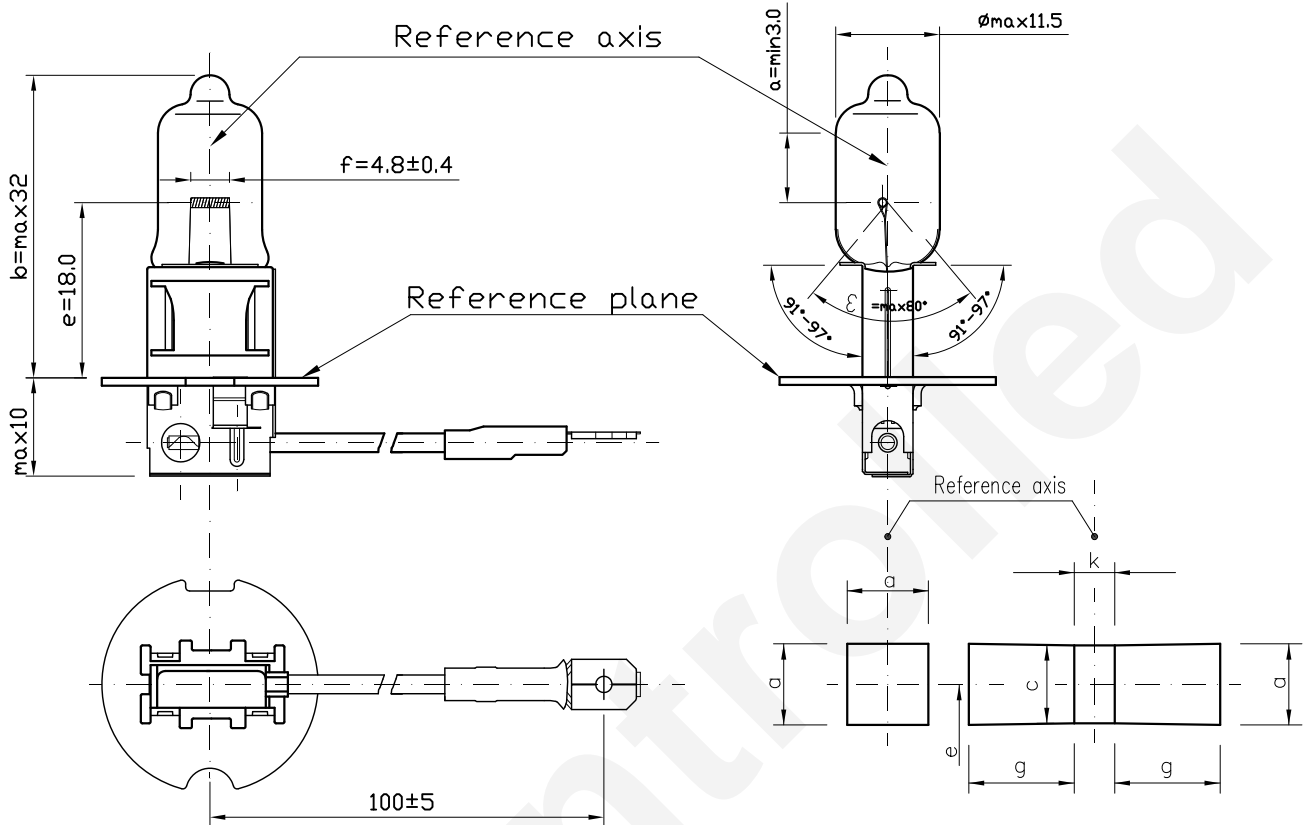
Product Information Sheet

H3 LL 12V 55W

H3 55W LL

2013. 04. 10 NEW

2009. 06. 01 OLD



d	1.32 nom
e	18
f	4.8 ±0.4

a	c	k	g
1.8d	1.6d	1	2.60

Halogen bulb
 H3 12V 55W Long Life
 Cap: ¹⁾ PK22s
 Type: LL
 ECE R37 (E1) 2XS
 FMVSS108 DOT
 Bulb: UV-cut Quartz glass
 Made in china / JDH

1) according to IEC 61-1 sheet 7004-47

Technical data	R37	FMVSS108
Test voltage	13.2V	12.8V
Power	68W max.	65W max.
Luminous flux	1450lm ±15%	1310lm ±15%
Lumen maintenance	90 % min	90 % min
Rated life:	at 13.2V	at 14.0V
-characteristic Tc	1200 h min	500h average
-B3	600 h min	

Maximum operating temperature:	1: bulb 800°C max
	2: pinch 400°C max