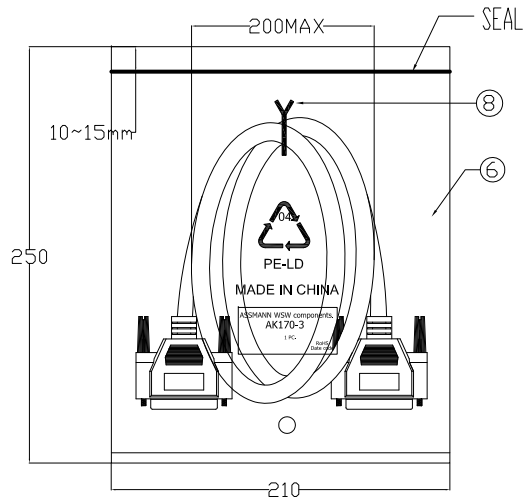


① PIN ASSIGNMENT

P1	P2
1	1
2	2
3	3
4	4
5	5
6	6
7	7
8	8
9	9
10	10
11	11
12	12
13	13
14	14
15	15
16	16
17	17
18	18
19	19
20	20
21	21
22	22
23	23
24	24
25	25
SHELL	SHELL

Electrical test:
 1.100% short,open,miswire test
 2.Conduct resistance: 5 ohm(max)
 3.Insulation resistance: 5 Mohm(min)
 4.dielectric test:DC 300V/10ms



⑧	TIE	1	WHITE L=120mm
⑦	PE BAG	1/5	CLEAR SIZE: 360*380*0.05mm PRINT BLACK"MADE IN CHINA"+"5PCS"
⑥	PE BAG	1	CLEAR SIZE:210*250*0.05mm PRINT BLACK"MADE IN CHINA"+"1PC"
⑤	TUBE	2	HEAT SHRINK TUBE BLACK OD1.5*20MM
④	SCREW	4	#4-40UNC TYPE L=30mm,NICKEL PLATED,MOLD:BEIGE(IV-29) ABS
③	IN JACKET	18g	CLEAR LD-PE (Mould NO.:NM-33)
	OUT JACKET	60g	BEIGE(IV-29) 40P PVC(Mould NO.WM-017)
②	CONN	2	DB 25P FEMALE SODER TYPE PIN G/F SHELL NI-PLATED INSULATOR COLOR:BLUE
①	CABLE	1	NOUL 28AWG(7/0.12)*25C+D+AL/MY OD7.5mm JACKET BEIGE(IV-29) L=3000±15MM
NO.	NAME	Q'TY	SPECIFICATION

RoHS compliant
Unit: mm

Scale	Free					Date	Name	Customer-No.
TOLERANCE					Drawn	20.02.2017	Amy	
					Approved	04.09.2017	Fred	ASSMANN WSW-No.
								AK170-3
DIM	TOL	①	Delete the wire color for pin assignment	04.09.2017	Fred	ASSMANN WSW components		
		②	Drawn	20.02.2017	Amy			
Angle	TOL	Id.	Modification	Date	Name	Replace	Sheet	

Drawing-No.		ASS 7872 CA	rev01
Replace			