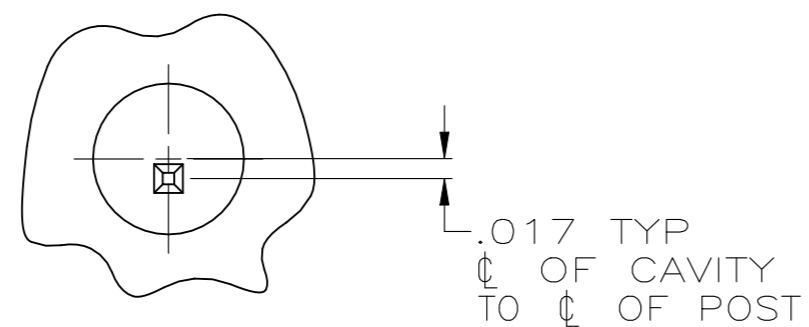
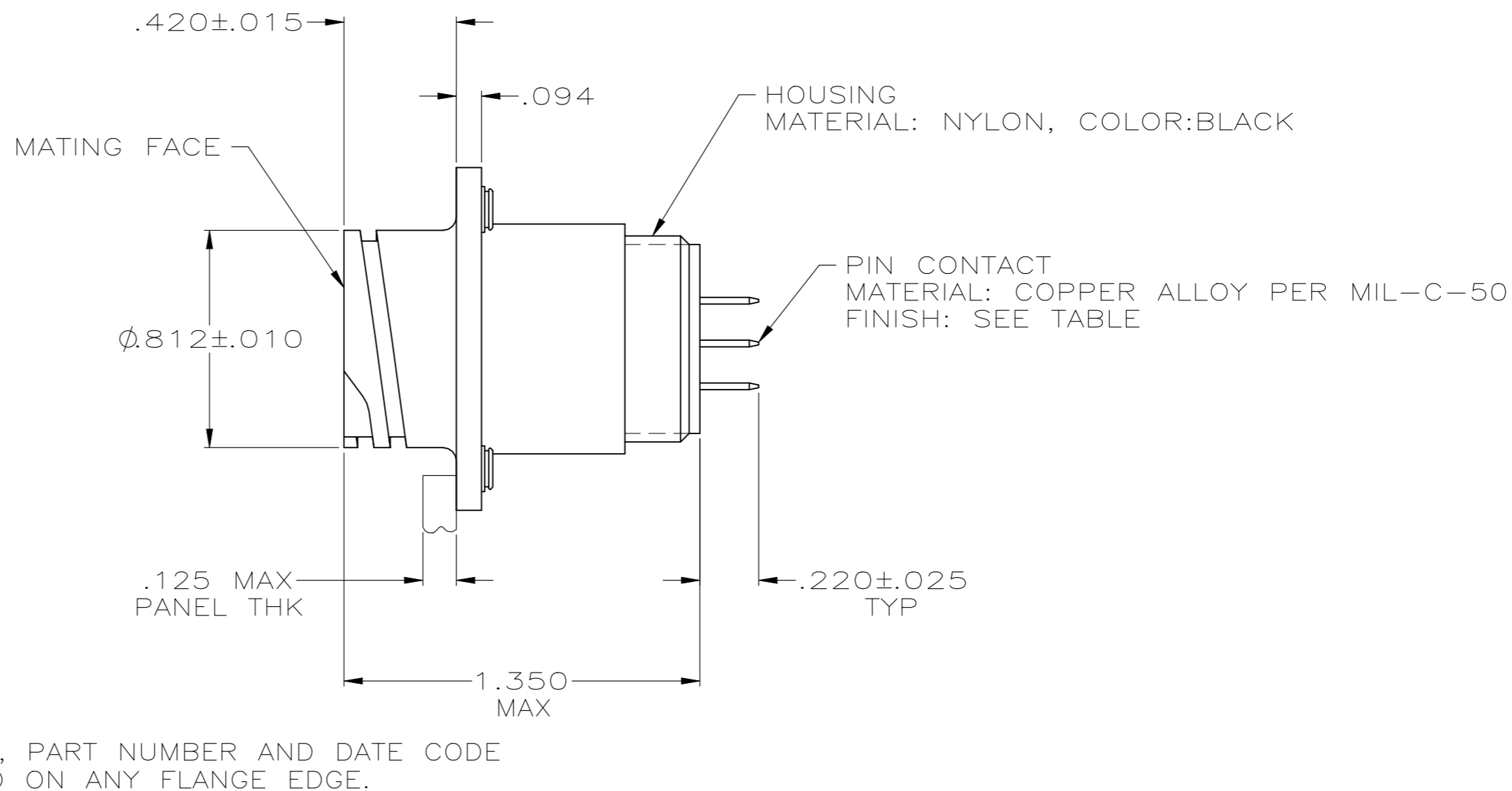
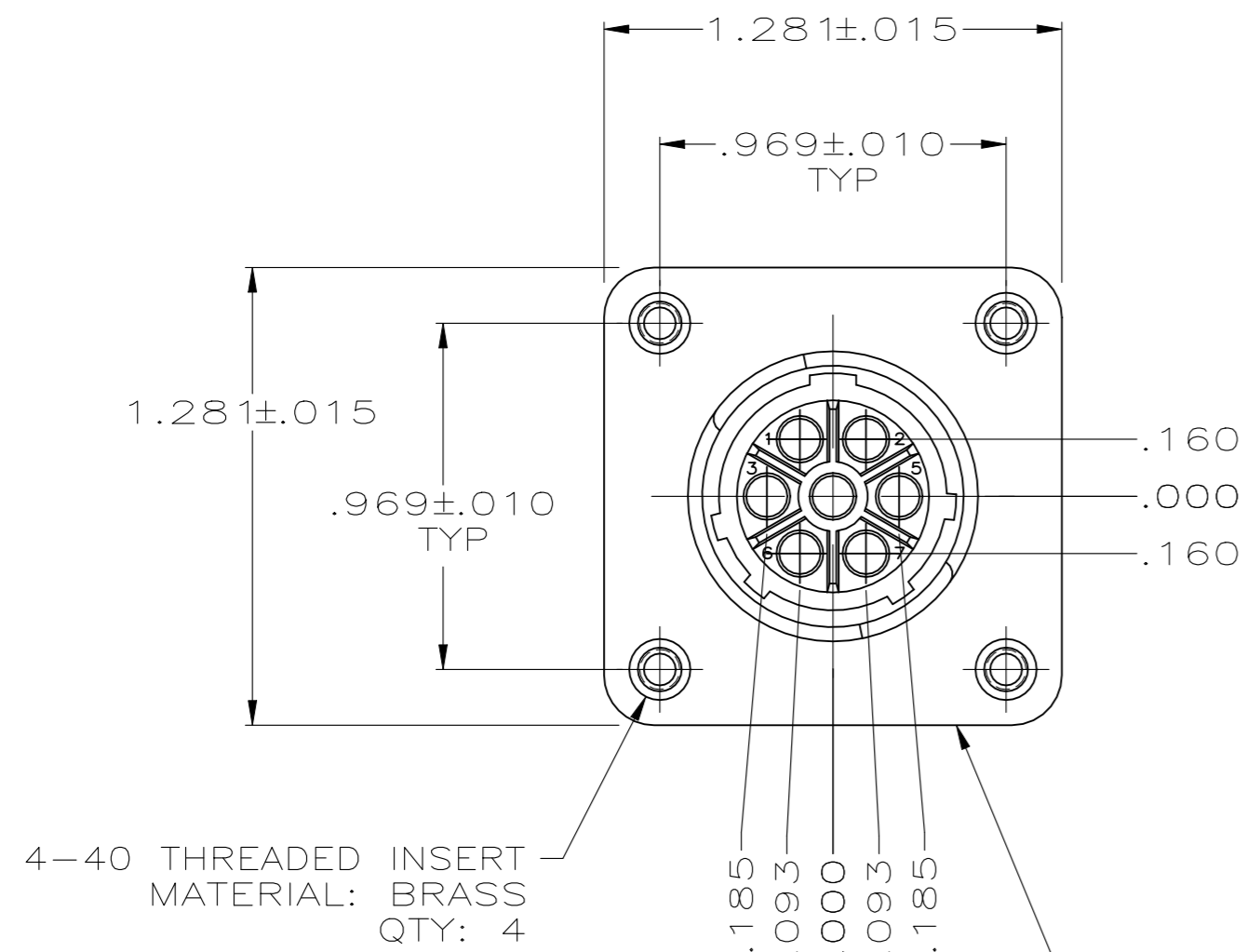


REVISIONS				
P	LTR	DESCRIPTION	DATE	APVD
D		REVISED PER ECO-21-006945	28OCT2021	RK MZ



POST ARRANGEMENT ON REAR FACE
SCALE 6:1

NOTES:

- 1 CONTACT BODY: GOLD PER MIL-GL-45204 OVER NICKEL PER QQ-N-290.
CONTACT POST: TIN-LEAD PER MIL-T-10727 OVER COPPER PER MIL-G-14550A.
- 2 CONTACT BODY: GOLD PER MIL-GL-45204 OVER NICKEL PER QQ-N-290.
CONTACT POST: TIN PER MIL-T-10727 OVER COPPER PER MIL-G-14550A.

OBSOLETE	2	1-796433-1
	1	796433-1
CONTACT FINISH	PART NUMBER	

THIS DRAWING IS A CONTROLLED DOCUMENT.		DWN	S.WELDON	23FEB00																			
DIMENSIONS: INCHES		CHK	M.CHACKO	24FEB00																			
TOLERANCES UNLESS OTHERWISE SPECIFIED:		APVD	M.CHACKO	24FEB00																			
<table border="1"> <tr><td>0 PLC</td><td>±</td><td>-</td></tr> <tr><td>1 PLC</td><td>±</td><td>-</td></tr> <tr><td>2 PLC</td><td>±</td><td>0.13 [.005]</td></tr> <tr><td>3 PLC</td><td>±</td><td>-</td></tr> <tr><td>4 PLC</td><td>±</td><td>-</td></tr> <tr><td>ANGLES</td><td>±</td><td>-</td></tr> </table>		0 PLC	±	-		1 PLC	±	-	2 PLC	±	0.13 [.005]	3 PLC	±	-	4 PLC	±	-	ANGLES	±	-	PRODUCT SPEC	-	NAME
0 PLC	±	-																					
1 PLC	±	-																					
2 PLC	±	0.13 [.005]																					
3 PLC	±	-																					
4 PLC	±	-																					
ANGLES	±	-																					
MATERIAL	SEE CALLOUTS	FINISH	-	WEIGHT	-	SIZE	A2	CAGE CODE	00779	DRAWING NO	C=796433	RESTRICTED TO	-										
CUSTOMER DRAWING						SCALE	2:1	SHEET	1 of 1	REV	D												