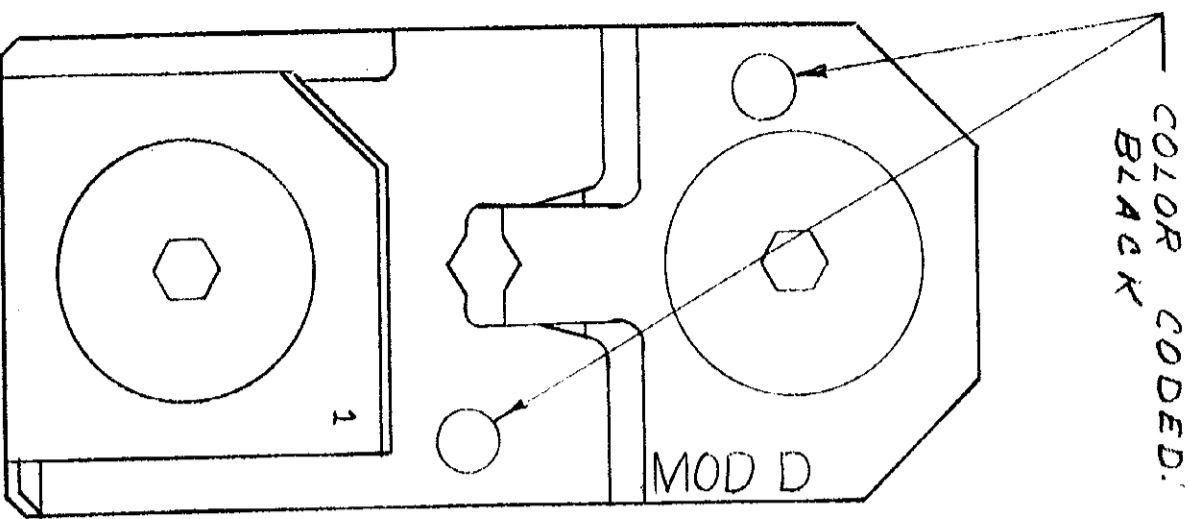
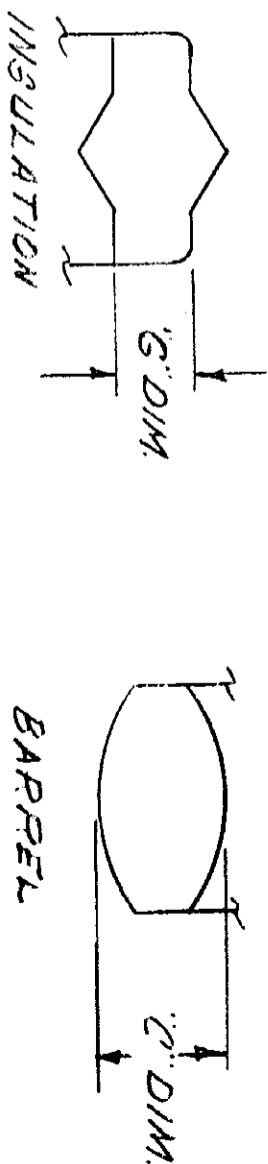
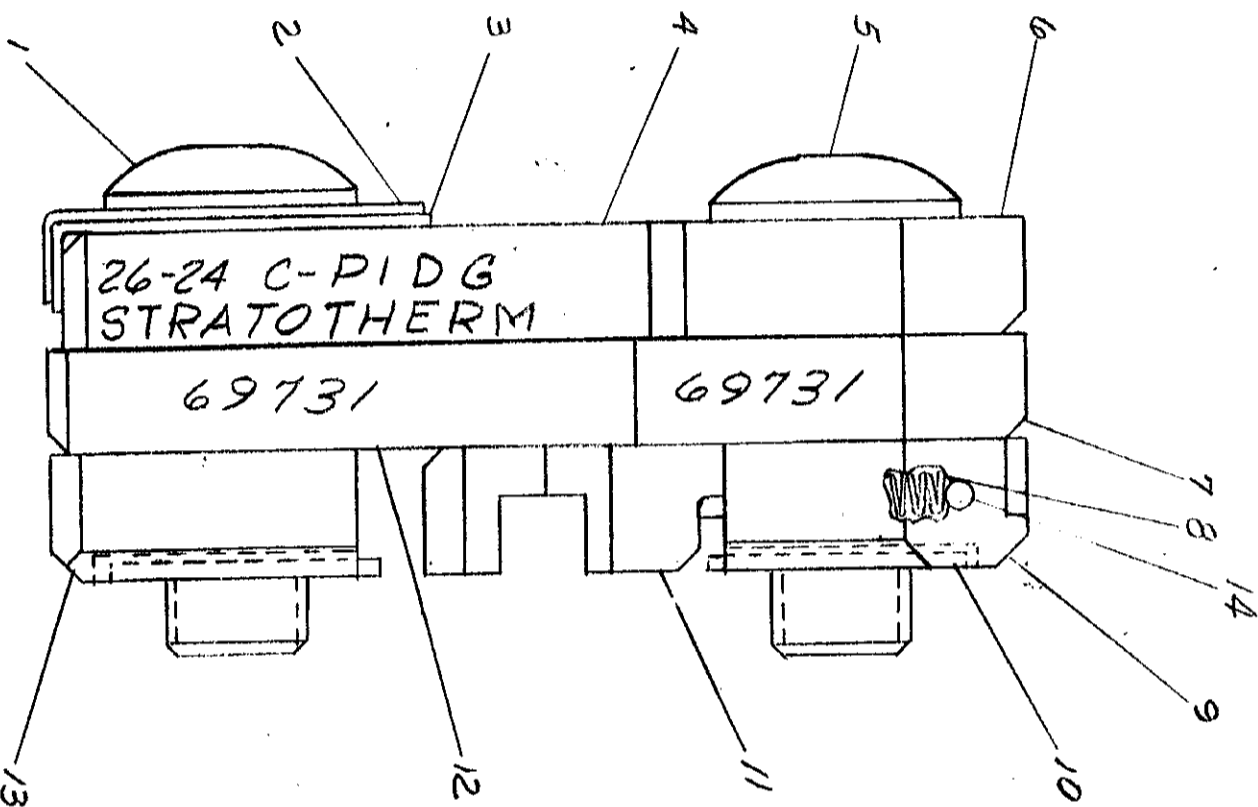


PRINT DIST  
3

DIMENSIONS IN INCHES. DO NOT SCALE PRINT



COLOR CODED:  
BLACK



ENLARGED VIEW OF CRIMPS

"G" DIM AT POSITION #1	"G" DIM.
GO	.030
NO GO	.050
	.094

PIDG GAGE DIMENSIONS APPLY WHEN TOOL IS  
BOTTOMED BUT NOT UNDER PRESSURE.

SUPERSEDED BY 1.5.1632

LTR	REVISION RECORD	DR	CHK	DATE
D	REVISION BY 1.5.1632	DR	CHK	DATE
D	REVISED	DR	CHK	DATE
D	REDESIGNED	DR	CHK	DATE

NUMBER  
69731

REQUIRED PER ASSEMBLY	DESCRIPTION
	69731

ITEM NO	NUMBER	NAME	REMARKS
14	2-19949-1	PIN - SPIRCL	
13	1-2305832-8	SPACER LOWER	
12	1-145907-5	INDENTER	
11	59737-1	LOCATOR	
10	1-21046-3	RING RETAINING	
9	1-2305832-9	SPACER-LOCATOR HOUSING	
8	2-759683-4	SPRING	
7	3-45904-1	ANVIL	
6	2-45933-8	ANVIL INSULATION	
5	3-306131-3	SCREW	
4	2-45931-7	INDENTER INSULATION	
3	1-306027-6	SPACER INSULATION ADJ.	
2	1-306027-5	SPACER INSULATION ADJ.	
1	1-306131-1	SCREW	

©1969 BY AMP INCORPORATED. ALL RIGHTS RESERVED.  
AMP PRODUCTS COVERED BY PATENTS AND/OR PATENTS PENDING.

MATERIAL AND FINISH

WIRE - RANGE - INSULATION  
20-29  
TOLERANCE EXCEPT AS NOTED ± .015

SCALE 4-1

LOC M B

NO 69731

REV DI

NAME DIE ASSEMBLY MOD D

REL 6/10/69

CHK 6/10/69

DR 6-10-69

AMP INCORPORATED  
HARRISBURG, PENNA.