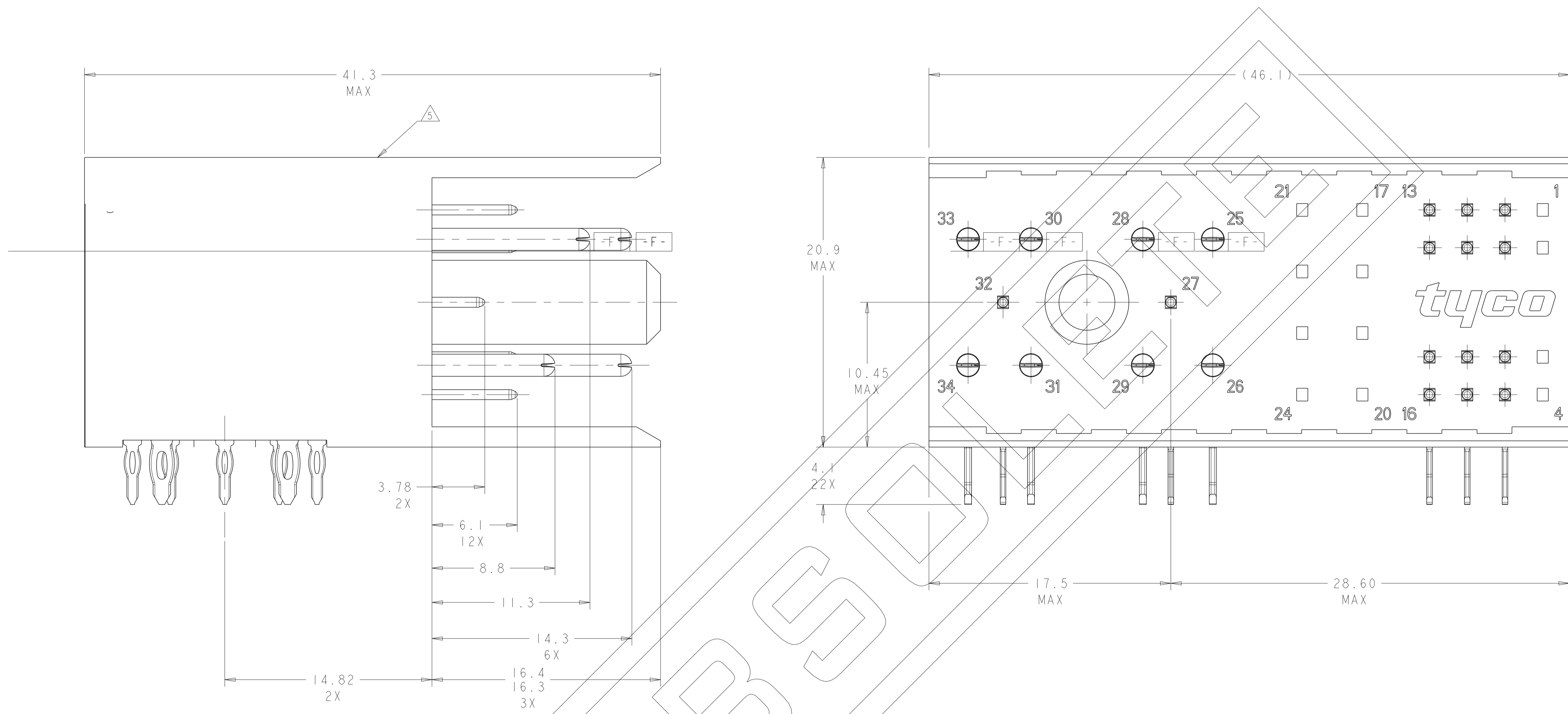


LOC	DIST	REVISIONS			
P	LTN	DESCRIPTION	DATE	DWN	APVD
F		REV PER ECO-09-007182	05JUN2009	RG	MS
G		REV PER ECR-22-125173	23JAN2022	CZ	SH



MATERIALS:
 HOUSING: HIGH TEMP THERMOPLASTIC, UL94V-0, GRAY.
 SIGNAL CONTACTS: COPPER ALLOY
 POWER CONTACTS: COPPER ALLOY

CONTACT FINISH:
 ALL OVER: 0.00127 MIN NICKEL
 COMPLIANT PIN AREA: 0.00127 MIN TIN
 MATING AREA: 0.00076 MIN GOLD

3. CONTACTS LOADED AT POSITIONS 5-16 AND 25-34 ONLY.
 HOLES INDICATED ARE NOT REQUIRED FOR TYCO PRODUCT.
 TYCO PART NUMBER AND DATE CODE (YYWW) LOCATED ON SURFACE INDICATED.
 DATUM AND BASIC DIMENSION TO BE ESTABLISHED BY CUSTOMER.

CONTACT FINISH:
 ALL OVER: 0.00127 MIN NICKEL
 COMPLIANT PIN AREA: 0.00127 MIN TIN-LEAD
 MATING AREA: 0.00076 MIN GOLD

8. CONTACT AREA LUBRICATED WITH BELLCORE APPROVED LUBRICANT. TECHNICAL REFERENCE: GR-1217-COR, ISSUE 1, NOVEMBER 1995.

CONTACT POSN	PIN LENGTH
1-4, 17-24	NOT USED
5-16	6.1
25, 26, 28-31	14.3
27, 32	3.8
33	11.3
34	8.8

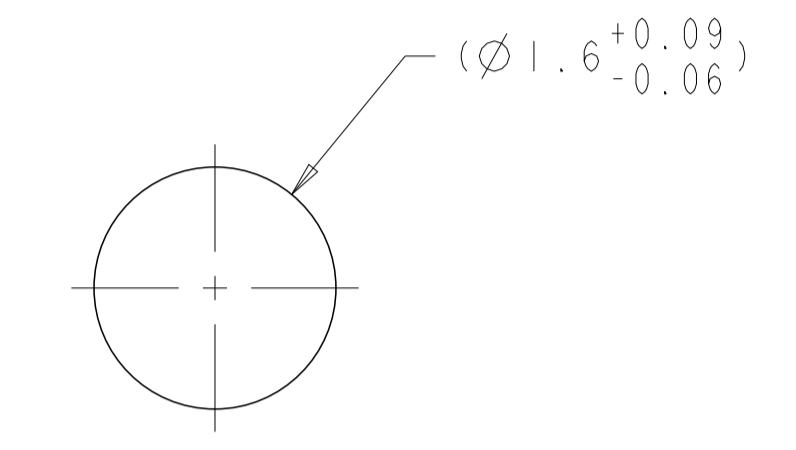
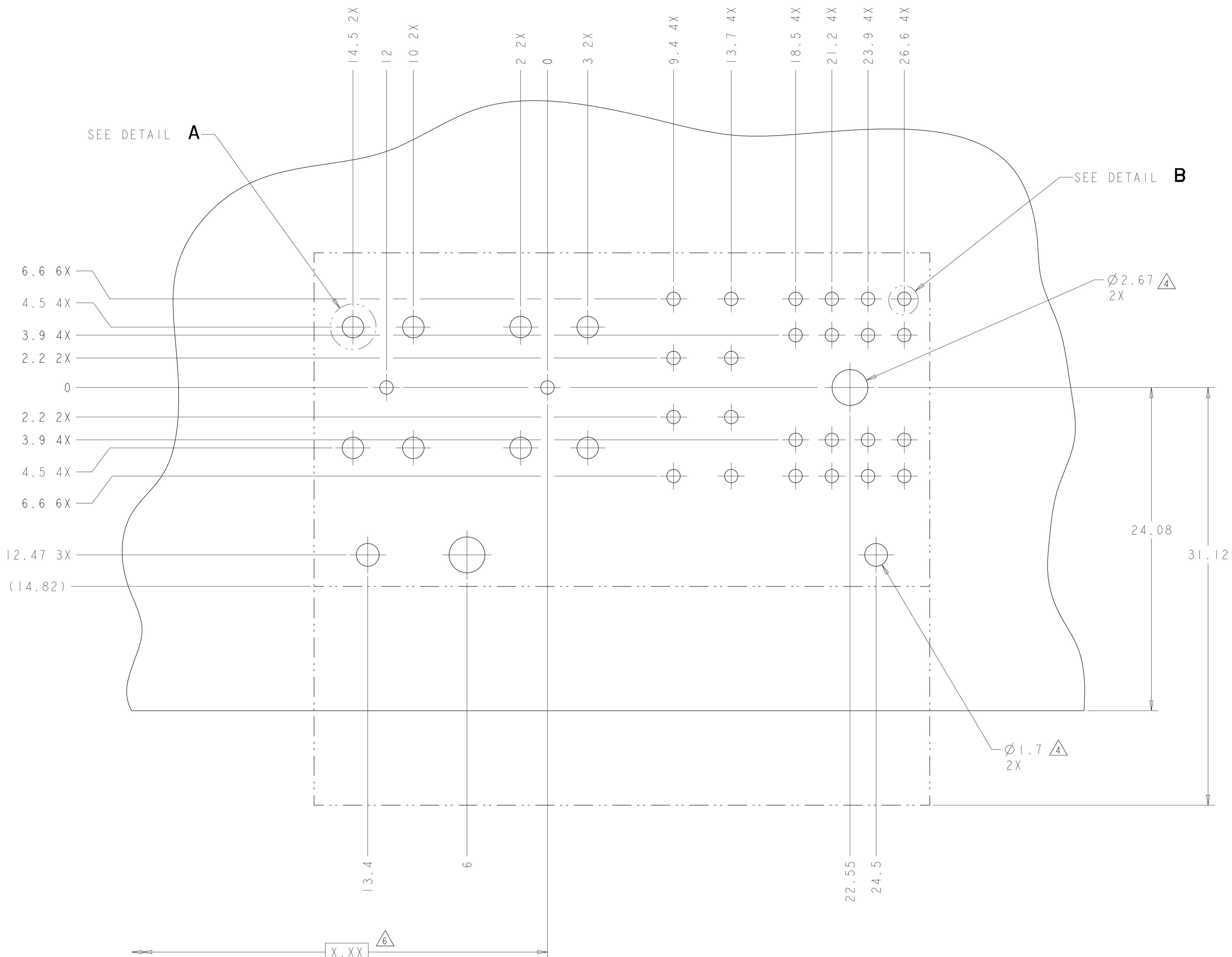
OBsolete	PLATING	MATING PIN DIAMETER	CONTACT QTY	SIZE NO	PART NO
Ø0.762	14	22	1766502-2		
Ø1.58	8	16	1766502-1		
Ø0.762	14	22	1766502-1		
Ø1.58	8	16	1766502-1		

THIS DRAWING IS A CONTROLLED DOCUMENT.

DIMENSIONS: mm	TOLERANCES UNLESS OTHERWISE SPECIFIED:	DWN: HAMNER 08MAY2006	CHK: M. McALONIS 11MAY2006	APVD: M. McALONIS 11MAY2006
0 PLC ±0.5	1 PLC ±0.13	NAME: ASSEMBLY, RT ANGLE, AdvancedTCA, SELECT LOAD, ZONE 1		
2 PLC ±0.13	3 PLC ±0.013	SIZE: 108-2216		
4 PLC ±0.0001	ANGLES ±0.0001	APPLICATION SPEC: 114-13156		
MATERIAL: -	FINISH: -	WEIGHT: -	RESTRICTED TO: A100779C=1766502	
Customer Drawing		SCALE: 6:1	SHEET: 1 of 2	REV: G

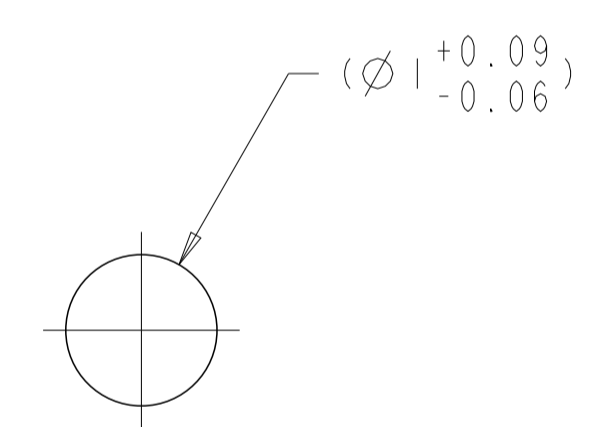
STE TE Connectivity

LOC	DIST	REVISIONS			
P	LTN	DESCRIPTION	DATE	DWN	APVD
-	-	SEE SHEET 1	-	-	-



DETAIL A
 SCALE 20:1
 8X (SIZE 16)

FINISHED HOLE: $\varnothing 1.6^{+0.09}_{-0.06}$
 DRILLED HOLE: $\varnothing 1.75 \pm 0.025$
 COPPER PLATE: 0.025 MIN (PER SURFACE)
 TIN PLATE: 0.008 MIN (PER SURFACE)



DETAIL B
 SCALE 20:1
 26X (SIZE 22)

FINISHED HOLE: $\varnothing 1^{+0.09}_{-0.06}$
 DRILLED HOLE: $\varnothing 1.15 \pm 0.025$
 COPPER PLATE: 0.025 MIN (PER SURFACE)
 TIN PLATE: 0.008 MIN (PER SURFACE)

RECOMMENDED PCB LAYOUT
 VIEWED FROM CONNECTOR SIDE

THIS DRAWING IS A CONTROLLED DOCUMENT.		DWN: HAMNER 08MAY2006	TE Connectivity
DIMENSIONS: mm		CHK: M. McALONIS 11MAY2006	
TOLERANCES UNLESS OTHERWISE SPECIFIED: 0 PLC ± 1 PLC ±0.5 2 PLC ±0.13 3 PLC ±0.013 4 PLC ±0.001 ANGLES ±		APVD: M. McALONIS 11MAY2006	NAME: ASSEMBLY, RT ANGLE, AdvancedTCA, SELECT LOAD, ZONE 1
FINISH:		PRODUCT SPEC: 108-2216	SIZE: A1
MATERIAL: -		APPLICATION SPEC: 114-13156	CAGE CODE: -
WEIGHT: - Customer Drawing		RESTRICTED TO: -	SCALE: 6:1
4805 (3/11)		WEIGHT: -	SHEET 2 OF 2
		WEIGHT: -	REV G