

Flush-type connector - SACC-DSIV-M 8MS-4CON-L 90 - 1440096

Please be informed that the data shown in this PDF Document is generated from our Online Catalog. Please find the complete data in the user's documentation. Our General Terms of Use for Downloads are valid (<http://phoenixcontact.com/download>)



Sensor/actuator flush-type connector, male, 4-pos., M8, rear/screw mounting with M8 thread, with polarity protection, with angled solder connection

Your advantages

- ✔ Standard pin assignments and codings for signal transmission with a uniform design-in design



Key Commercial Data

| | |
|--------------|---------------|
| Packing unit | 20 pc |
| GTIN | |
| GTIN | 4046356480888 |

Technical data

Ambient conditions

| | |
|---------------------------------|------------------|
| Ambient temperature (operation) | -25 °C ... 85 °C |
| Degree of protection | IP67 |

General

| | |
|-----------------------|------------------------------------|
| Rated current at 40°C | 4 A |
| Rated voltage | 50 V AC 60 V DC |
| Number of positions | 4 |
| Insulation resistance | ≥ 100 MΩ |
| Coding | A - standard |
| Standards/regulations | M8 connector IEC 61076-2-104 |
| Status display | No |
| Overvoltage category | II |
| Degree of pollution | 3 |
| Connection method | Solder pins |
| Mounting type | Rear mounting M8 x 1 With flat nut |

Flush-type connector - SACC-DSIV-M 8MS-4CON-L 90 - 1440096

Technical data

Material

| | |
|--|---------------------|
| Flammability rating according to UL 94 | HB |
| Contact material | Cu alloy |
| Contact surface material | Au |
| Contact carrier material | PA 6.6 |
| Material, knurls | Nickel-plated brass |
| Sealing material | NBR |

Cable

| | |
|--------------------------|------------------------------|
| Standards/specifications | M8 connector IEC 61076-2-104 |
|--------------------------|------------------------------|

Standards and Regulations

| | |
|--|-----------------|
| Standard designation | M8 connector |
| Standards/regulations | IEC 61076-2-104 |
| Flammability rating according to UL 94 | HB |

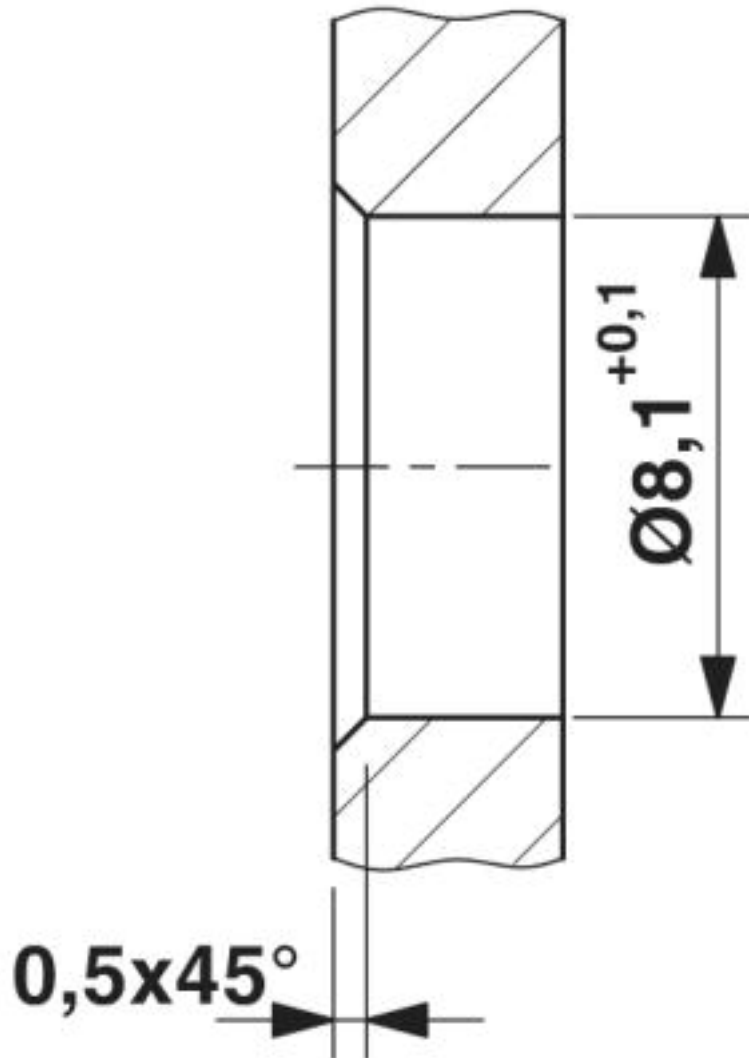
Environmental Product Compliance

| | |
|------------|---|
| | Lead 7439-92-1 |
| China RoHS | Environmentally Friendly Use Period = 25; |
| | For details about hazardous substances go to tab "Downloads", Category "Manufacturer's declaration" |

Drawings

Flush-type connector - SACC-DSIV-M 8MS-4CON-L 90 - 1440096

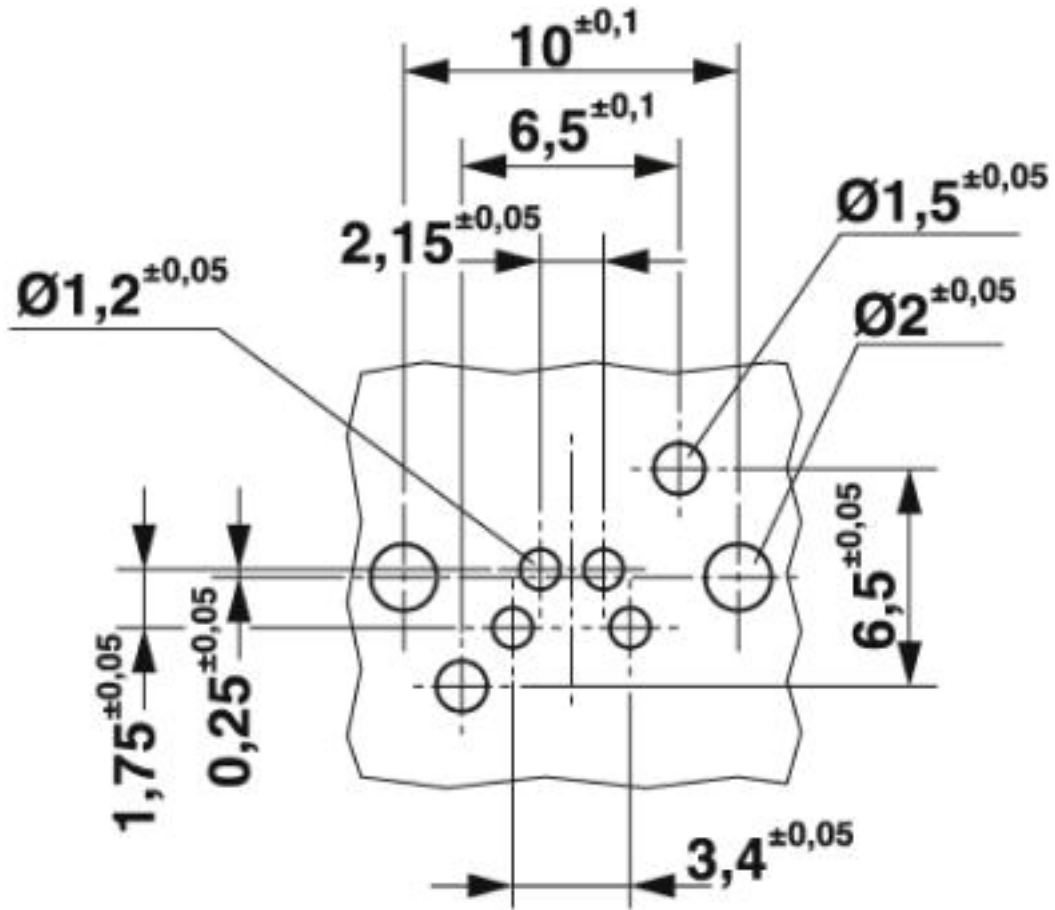
Dimensional drawing



Mounting panel with feed-through hole

Flush-type connector - SACC-DSIV-M 8MS-4CON-L 90 - 1440096

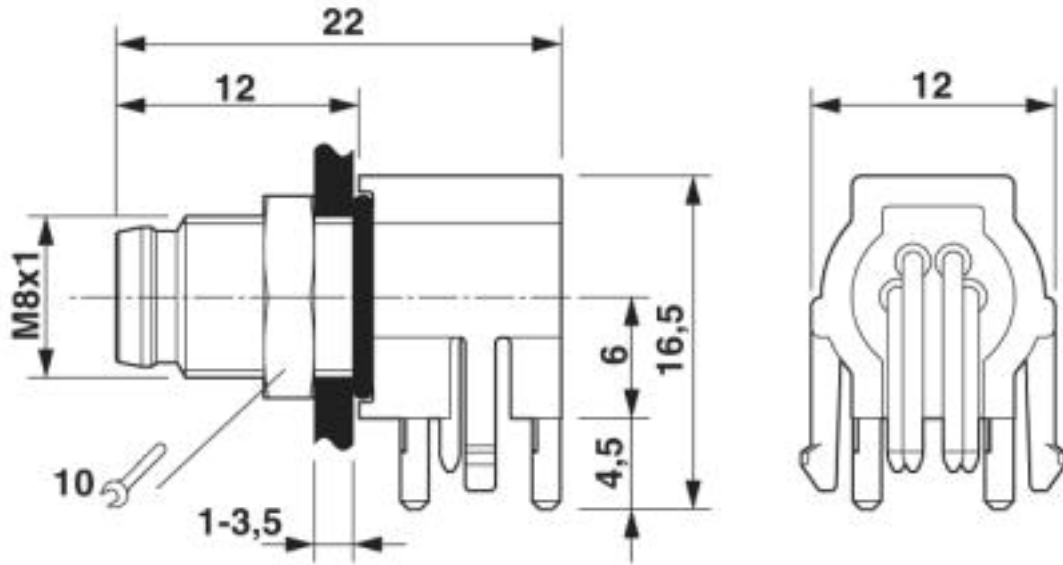
Drilling diagram



Drilling diagram

Flush-type connector - SACC-DSIV-M 8MS-4CON-L 90 - 1440096

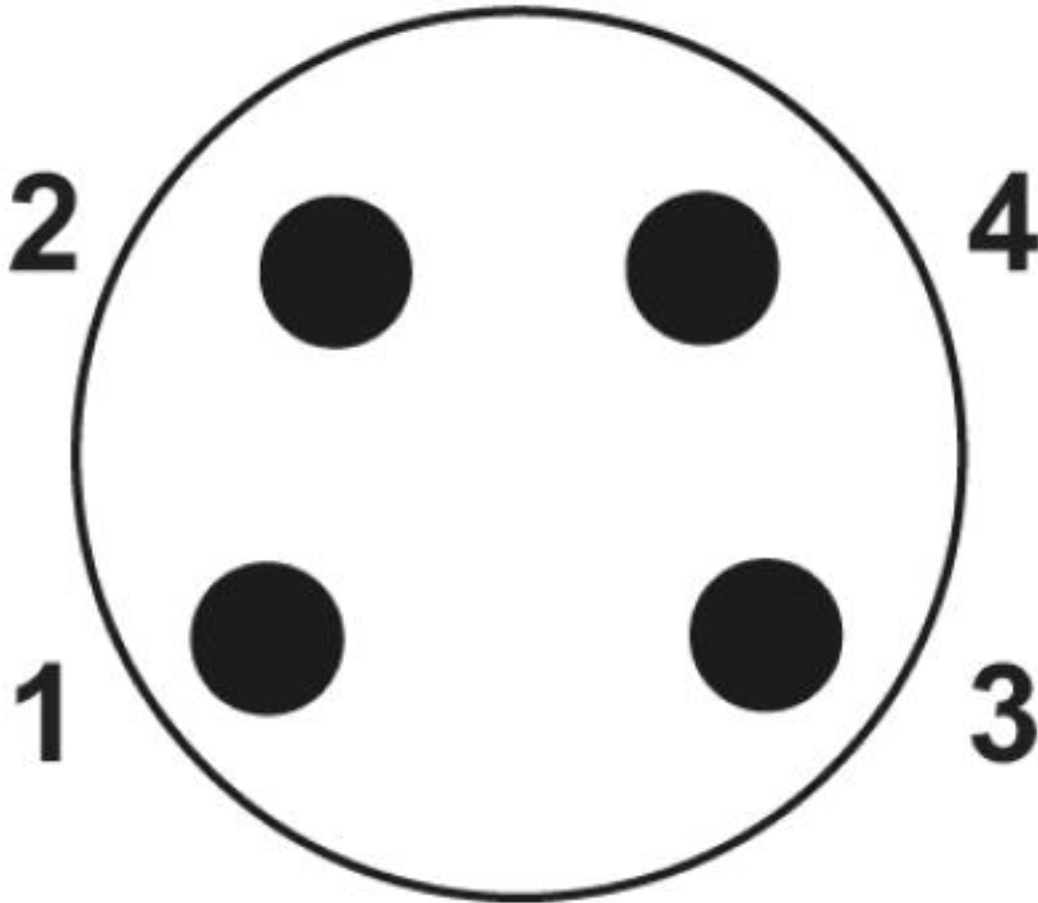
Dimensional drawing



M8 flush-type plug

Flush-type connector - SACC-DSIV-M 8MS-4CON-L 90 - 1440096

Schematic diagram



Pin assignment M8 plug, 4-pos., view male side

Approvals

Approvals

Approvals

EAC

Ex Approvals

Approval details

Flush-type connector - SACC-DSIV-M 8MS-4CON-L 90 - 1440096

Approvals

EAC



B.01742

Phoenix Contact 2019 © - all rights reserved
<http://www.phoenixcontact.com>

PHOENIX CONTACT GmbH & Co. KG
Flachsmarktstr. 8
32825 Blomberg
Germany
Tel. +49 5235 300
Fax +49 5235 3 41200
<http://www.phoenixcontact.com>