

NOTES:

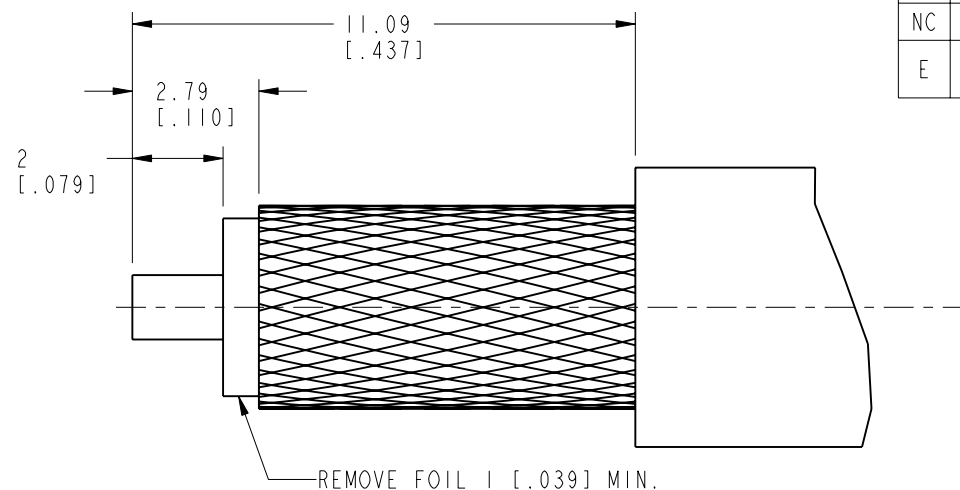
1. MATERIALS AND FINISHES:  
 BODY, BARREL, & SLEEVE - BRASS, WHITE BRONZE PLATING  
 FERRULE - COPPER, WHITE BRONZE PLATING  
 CONTACT - BRASS, GOLD PLATING  
 OUTER CONTACT - PHOSPHOR BRONZE, WHITE BRONZE PLATING  
 INSULATOR - PTFE, NATURAL
2. ELECTRICAL:  
 A. IMPEDANCE: 50 OHM  
 B. FREQUENCY RANGE: DC - 6 GHz  
 C. DIELECTRIC WITHSTANDING VOLTAGE: 1000 VRMS, MIN.
3. MECHANICAL:  
 A. DURABILITY: 100 CYCLES MIN.  
 B. TEMPERATURE RANGE: -40° C TO +85° C
4. PACKAGING:  
 A. QUANTITY: SINGLE PACK  
 B. MARKING: BAG TO BE MARKED  
 "AMPHENOL RF, 134104, AND DATE CODE"
5. RECOMMENDED CABLE ASSEMBLY INSTRUCTIONS:  
 A. TRIM CABLE AS SHOWN.  
 B. SOLDER CABLE CENTER CONDUCTOR TO CONTACT.  
 C. INSERT CABLE WITH FOIL ENTERING CONNECTOR AND BRAID OVER KNURL.  
 D. CRIMP FERRULE OVER BRAID WITH .255" HEX DIE.

6. SHOWS CABLE ENTRY DIMENSIONS.

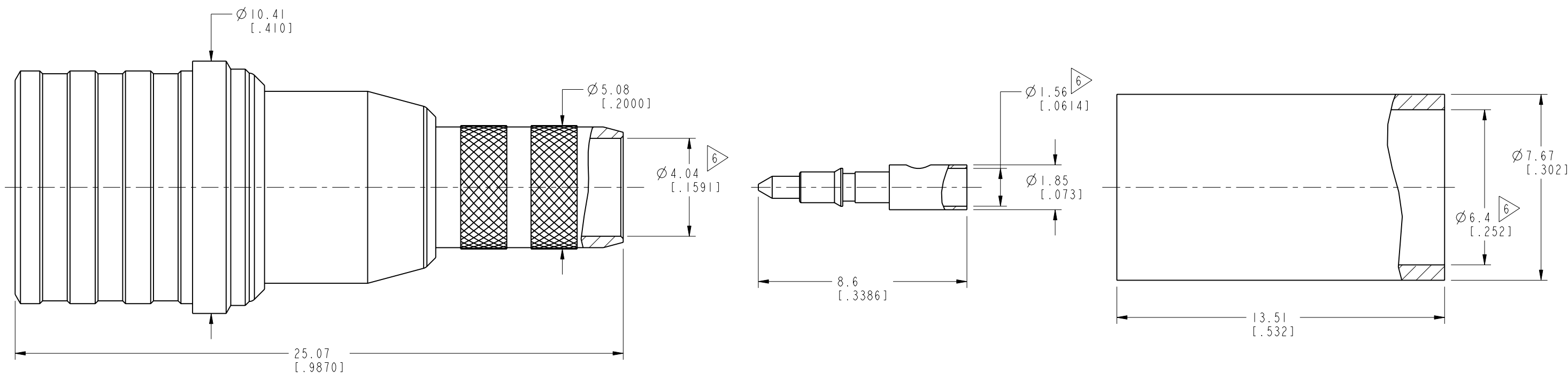
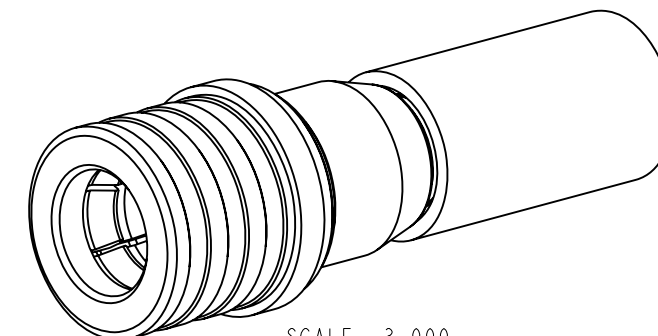
THIRD ANGLE PROJ.

REVISIONS

| REV | DESCRIPTION  | DATE      | ECO   | APPR |
|-----|--|-----------|-------|------|
| NC  | INITIAL RELEASE  | 07-Jun-11 | ----- | MZ   |
| E   | RE-DRAW IN PRO-E, REVISE BODY FOR ADDITIONAL INSULATOR RETENTION | 19-Dec-16 | 02649 | SH   |



RECOMMENDED CABLE STRIPPING DIM'S



**CUSTOMER OUTLINE DRAWING**

ALL OTHER SHEETS ARE FOR INTERNAL USE ONLY

|  |                              |            |           |   |                             |  |
|--|------------------------------|------------|-----------|---|-----------------------------|--|
| UNLESS OTHERWISE SPECIFIED, DIMENSIONS ARE IN METRIC AND TOLERANCES ARE:<br><0.5mm ±0.05mm    0.5 - 6mm ±0.1mm    6 - 30mm ±0.2mm    30 - 120mm ±0.3mm    ANGLES ±1° | MATERIAL                     | DRAWN      | DATE      | TITLE                                     |                             | Amphenol RF<br>www.amphenolrf.com      |
|  | SEE NOTES                    | M. ZHANG   | 16-Dec-16 | QMA 50 OHM CRIMP PLUG (FOR LMR-240 CABLE) |                             |  |
|  | REFERENCE                    | C. WANG    | 12-Jun-07 | APPROVED                                  | DATE                        | DRAWING NO. QMA1121A1-AT30GS-LMR240-50 |
|  | CONFIGURATION LEVEL: In Work | K. CAPOZZI | 16-Dec-16 | CAD FILE                                  | SCALE: 6.0:1.0 SHEET 2 OF 2 | ITEM NO. 701121AAAA1AR5F               |
| FINISH   |                              |            |           | DWG SIZE B                                | REV E                       | PART NO. 134104                        |