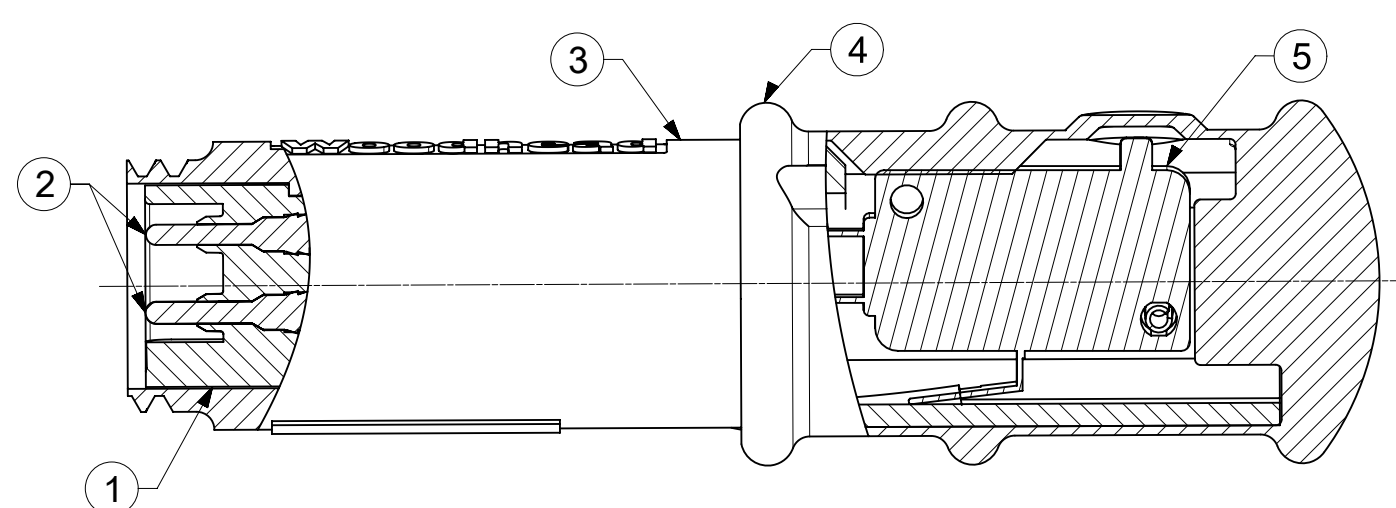
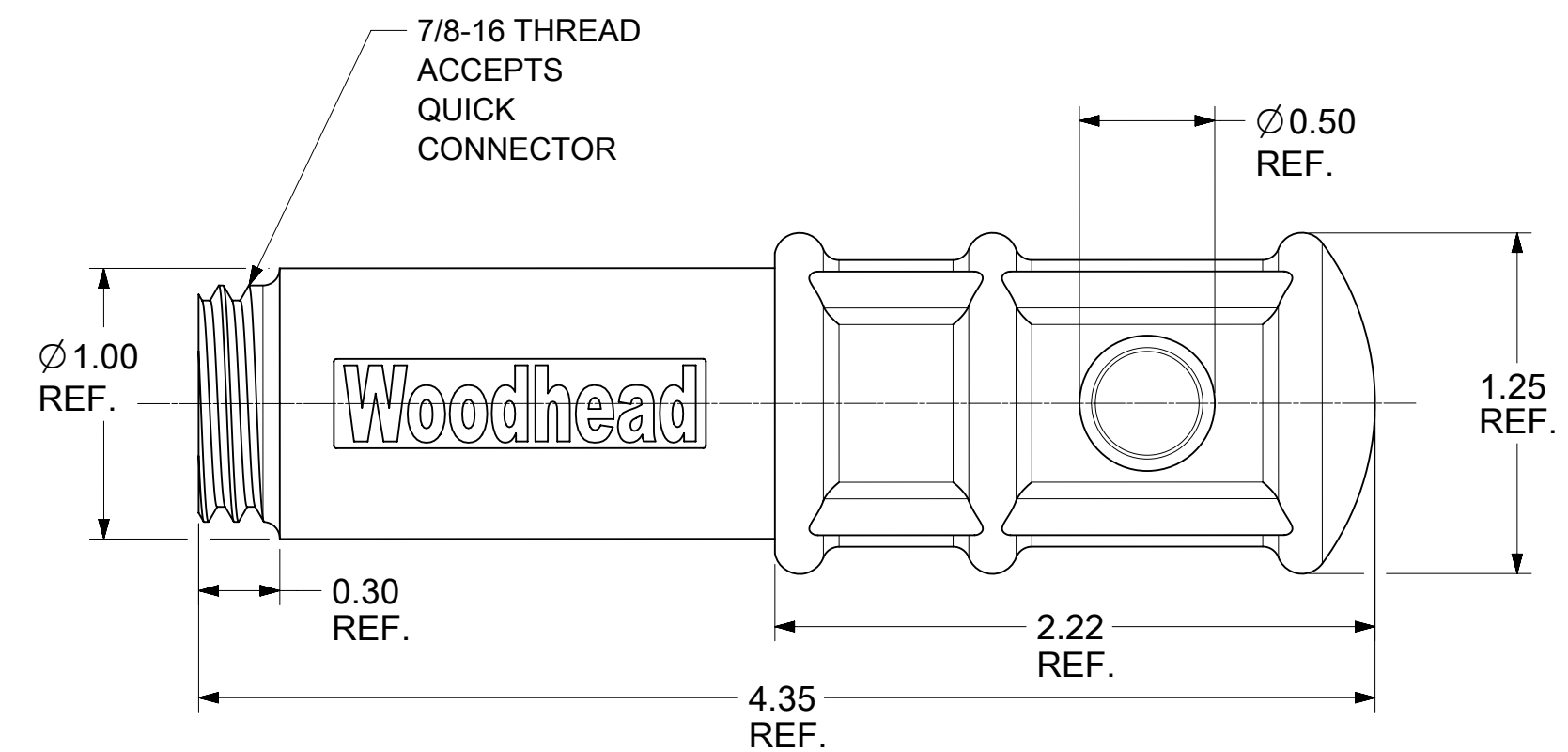
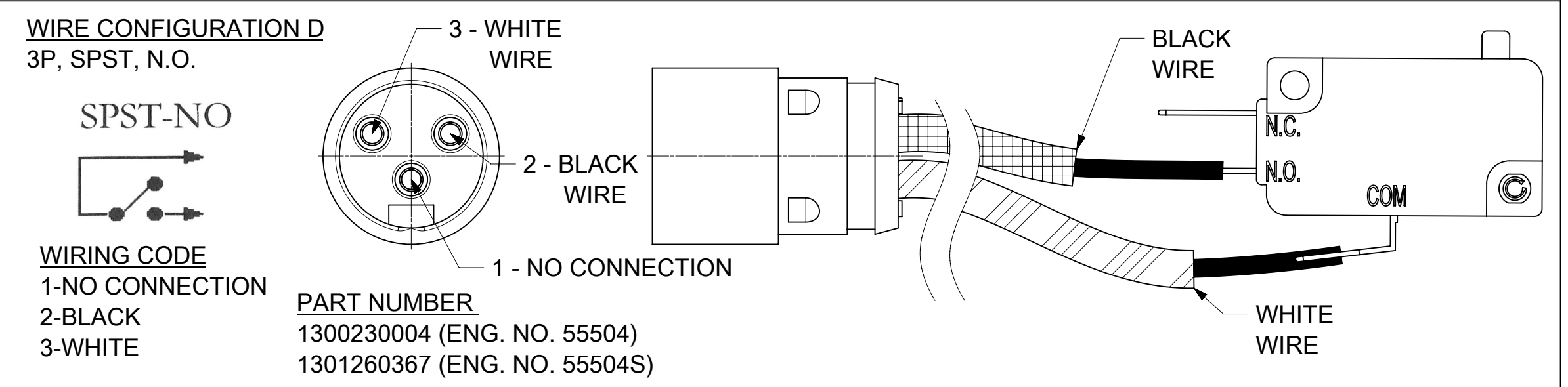
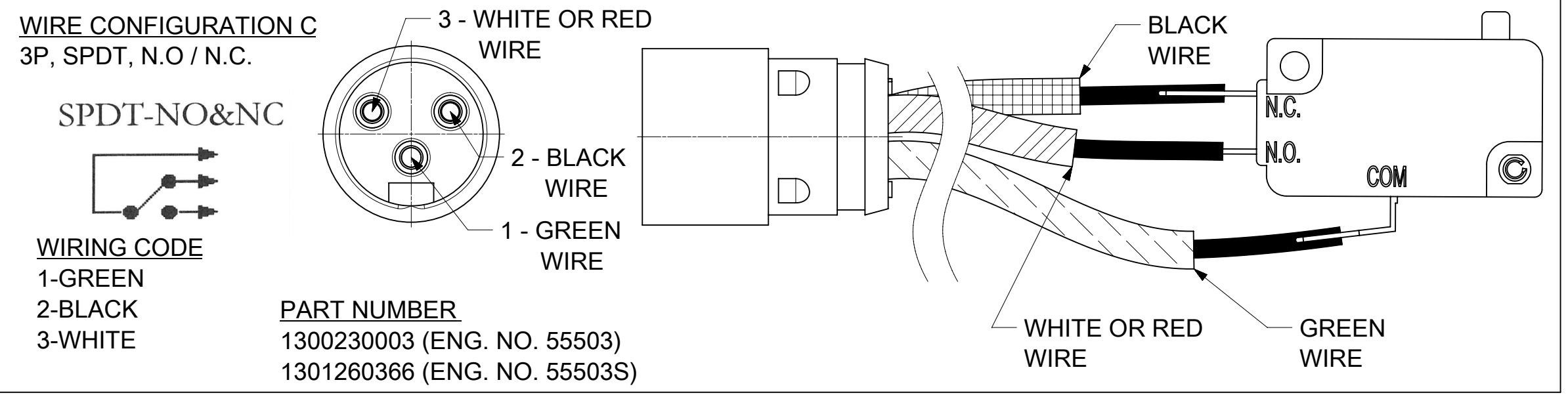
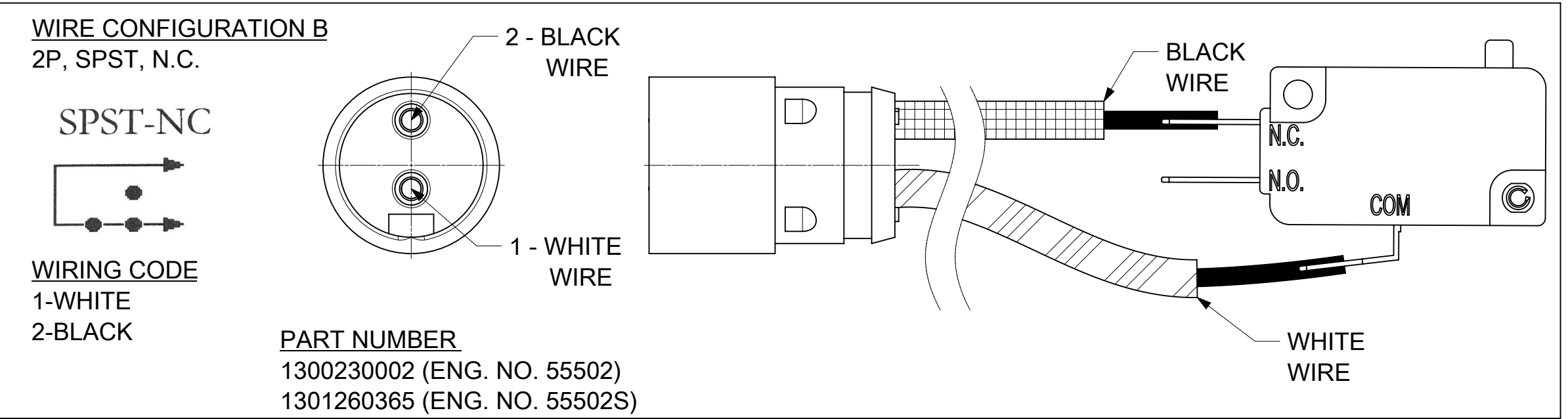
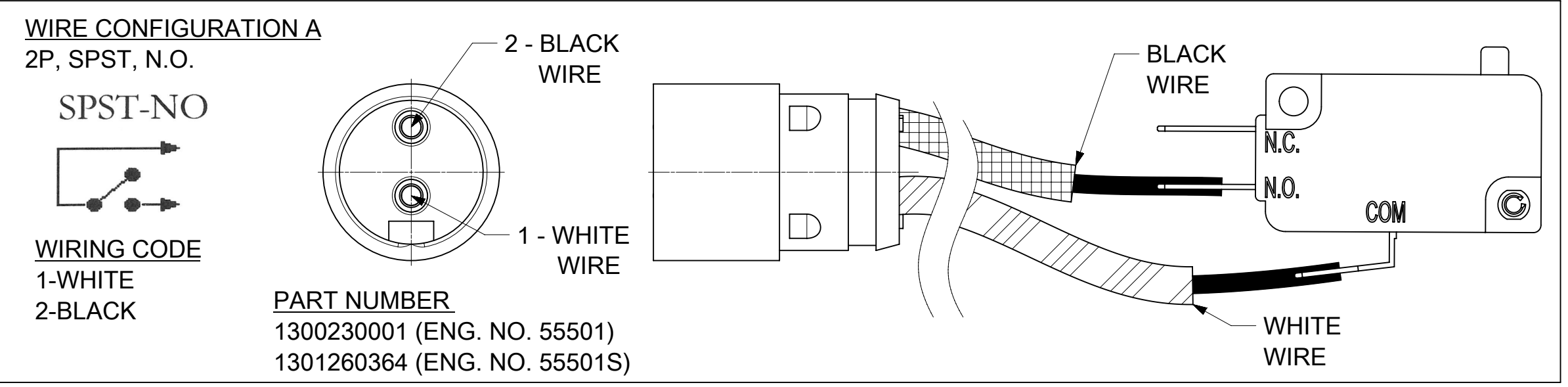


PART NUMBER	ENG. NUMBER	DESCRIPTION	SWITCH BOOT MATERIAL	WIRE CONFIGURATION
1300230001	55501	2P, SPST - NORMALLY OPEN	NBR/PVC	A
1300230002	55502	2P, SPST - NORMALLY CLOSED		B
1300230003	55503	3P, SPDT - NORMALLY OPEN / NORMALLY CLOSED		C
1300230004	55504	3P, SPST - NORMALLY OPEN	SILICONE	D
1301260364	55501S	2P, SPST - NORMALLY OPEN		A
1301260365	55502S	2P, SPST - NORMALLY CLOSED		B
1301260366	55503S	3P, SPDT - NORMALLY OPEN / NORMALLY CLOSED		C
1301260367	55504S	3P, SPST - NORMALLY OPEN	D	



ITEM	DESCRIPTION	MATERIAL	FINISH
1	PIN INSERT	PVC	YELLOW
2	CONTACT PIN	COPPER ALLOY	GOLD PLATED
3	SWITCH BODY	NYLON	YELLOW
4	SWITCH BOOT	RUBBER (SEE TABLE)	YELLOW
5	SWITCH	-	-

- NOTES:**
- MATERIAL: SEE TABLE
  - FINISHES: SEE TABLE
  - ELECTRICAL SPECIFICATIONS  
VOLTAGE RATING: 125/250VAC  
CURRENT RATING: 10 AMPS (AC)  
HORSEPOWER RATING: 1/2 HP
  - OPERATING TEMP. RANGE: -20 °C to 85 °C
  - ASSEMBLY IS RoHS COMPLIANT



FUNCTIONAL SYMBOLS FA = 0 FE = 0 FP = 0	THIS DRAWING CONTAINS INFORMATION THAT IS PROPRIETARY TO MOLEX ELECTRONIC TECHNOLOGIES, LLC AND SHOULD NOT BE USED WITHOUT WRITTEN PERMISSION		CURRENT REV DESC: ADD SWITCH SCHEMATIC AND WIRING CODE		<b>molex</b>		
	DIMENSION UNITS <b>INCH</b>	SCALE <b>2:1</b>					
DIVISIONAL SYMBOLS	GENERAL TOLERANCES (UNLESS SPECIFIED)		EC NO: 723619		PRODUCT CUSTOMER DRAWING		
	ANGULAR TOL ± 0.5°		4 PLACES ±		DOCUMENT NUMBER		
	3 PLACES ±		3 PLACES ±		SD-130023-005		
	2 PLACES ± 0.05		2 PLACES ± 0.1		DOC TYPE DOC PART REVISION		
1 PLACE ±		0 PLACES ±		INITIAL REVISION:		PSD 001 C	
DRAFT WHERE APPLICABLE MUST REMAIN WITHIN DIMENSIONS		THIRD ANGLE PROJECTION	DRAWING	SERIES	MATERIAL NUMBER	CUSTOMER	SHEET NUMBER
			<b>C-SIZE</b>	<b>130023</b>	SEE TABLE	GENERAL MARKET	1 OF 1