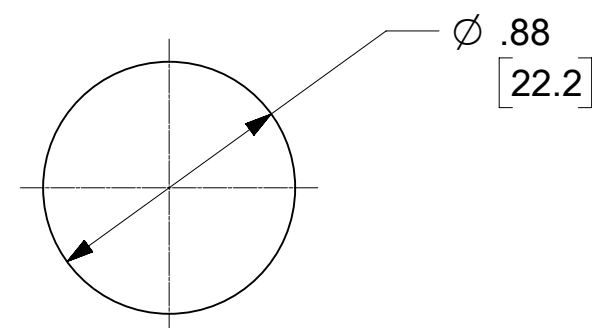
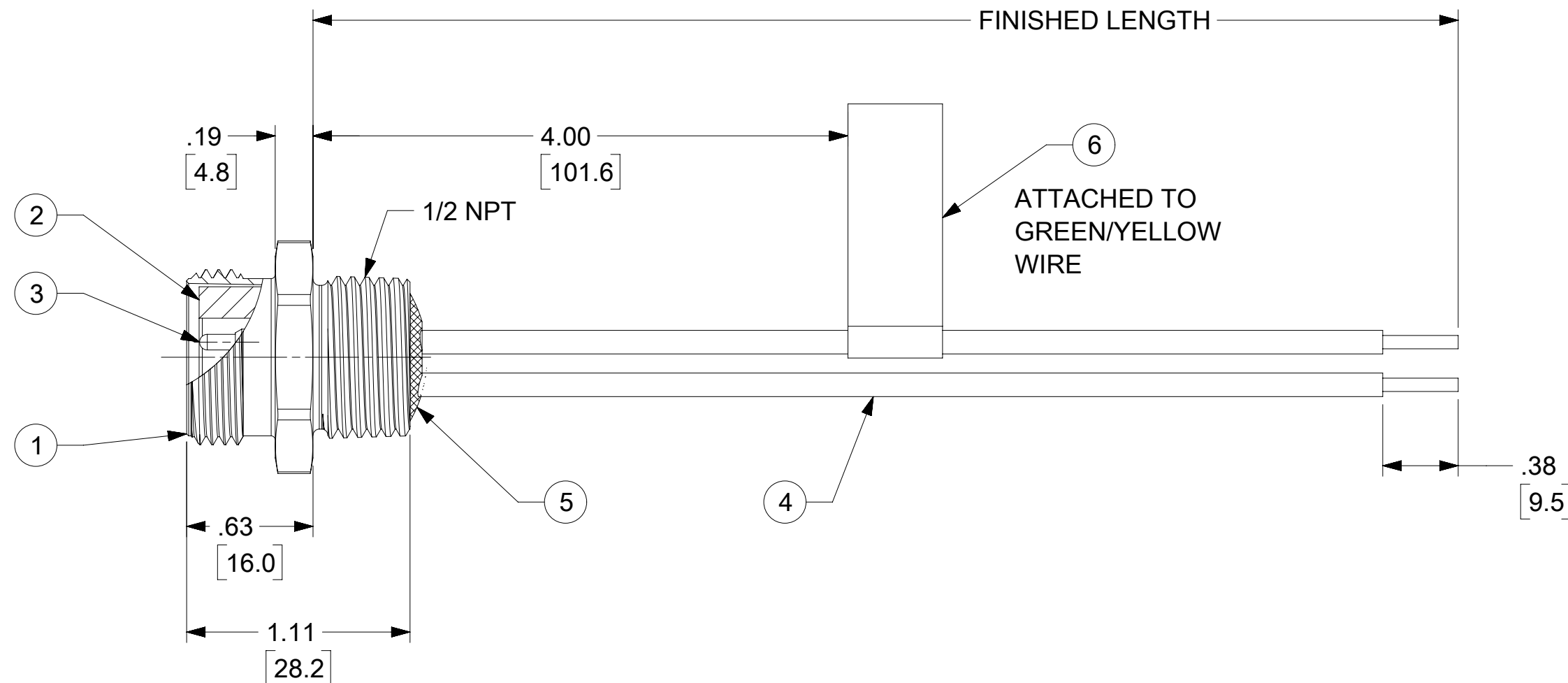
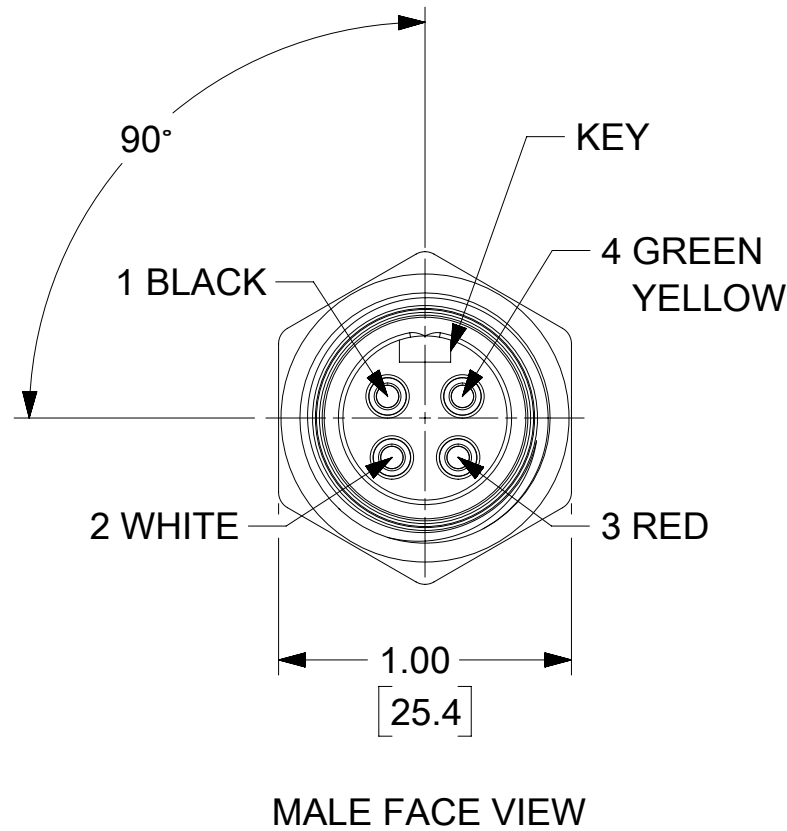
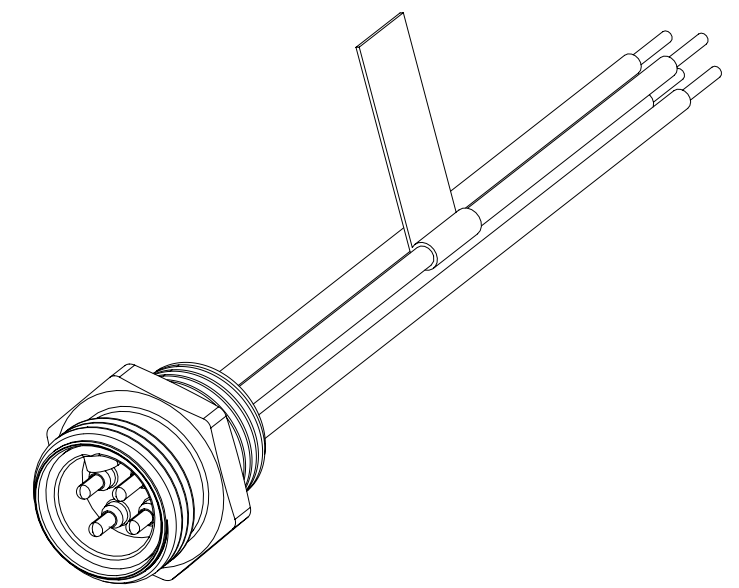


PART NO.	ENGINEERING NO.	FINISHED LENGTH
1300130008	1R4006A20F040	4.0FT (1.2M)
1300130353	1R4006A20A120	12.0IN (0.3M)
1300130918	1R4006A20M030	3M (9 FT, 10 IN)

CABLE LENGTH TOLERANCES
 <.3M [1FT]: +19mm-0 [+.75in-0]
 .3 - .9M [1 - 3FT]: +44.5mm-0 [+1.75in-0]
 .9 - 1.8M [3 - 6FT]: +55.6mm-0 [+2.19in-0]
 1.8 - 3.7M [6 - 12FT]: +88.9mm-0 [+3.50in-0]
 3.7 - 7.3M [12 - 24FT]: +165.1mm-0 [+6.50in-0]
 7.3-14.6M [24 - 48FT]: +317.5mm-0 [+12.50in-0]
 14.6 - 30.5M [48-100FT]: +622.3mm-0 [+24.50in-0]
 OVER 30M [100FT] +2% OF FINISHED LENGTH



REF. KNOCKOUT HOLE

- NOTES:
1. MATERIAL: AS NOTED
 2. FINISH: AS NOTED
 3. ELECTRICAL:
 VOLTAGE: 483V PER IEC60664
 600V PER UL2238
 CURRENT: 10A
 4. TEMP RATING: -20°C TO +105°C
 5. PROTECTION: IP67 (WHEN MATED)
 6. COUPLING THREAD: 7/8-16 UN
 7. UL RECOGNIZED FILE: E152210
 CSA CERTIFIED: LR6837
 8. ALL DIMS ARE FOR REFERENCE UNLESS TOLERANCED OR NOTED OTHERWISE

PART NUMBER LEGEND

1R4006A20F040

LENGTH
 A060 = 6 IN
 A120 = 12 IN
 F060 = 6.0 FT
 M003 = 0.3 METERS
 M010 = 1.0 METERS
 M100 = 10.0 METERS

ITEM	DESCRIPTION	MATERIAL	FINISH
6	FLAG LABEL	VINYL	BLACK/YELLOW
5	POTTING MATERIAL	EPOXY	
4	WIRE #16 (UL 1015)	PVC INSULATION	SEE FACE VIEW
3	CONTACT PIN	Cu ALLOY	GOLD PLATED
2	INSERT	TPE	YELLOW
1	RECEPTACLE SHELL	ZINC (DIE-CAST)	BLACK E-COAT
ITEM	DESCRIPTION	MATERIAL	FINISH

FUNCTIONAL SYMBOLS	THIS DRAWING CONTAINS INFORMATION THAT IS PROPRIETARY TO MOLEX ELECTRONIC TECHNOLOGIES, LLC AND SHOULD NOT BE USED WITHOUT WRITTEN PERMISSION		
	DIMENSION UNITS	SCALE	CURRENT REV DESC: REDRAWN TO NX FOR 4 POLE, REPLACES SD-130013-120
$\frac{F}{A} = 0$	INCH/MM	1:1	EC NO: 668276 DRWN: RSTONE 2021/06/23 CHK'D: MZIELINSKI 2021/07/08 APPR: BWOODMAN 2021/07/12
$\frac{F}{C} = 0$	GENERAL TOLERANCES (UNLESS SPECIFIED)		
$\frac{F}{P} = 0$			
DIVISIONAL SYMBOLS	MM	INCH	
	4 PLACES	±	INITIAL REVISION:
	3 PLACES	±	DRWN: RSTONE 2021/06/23
	2 PLACES	±	APPR: BWOODMAN 2021/07/12
	1 PLACE	±	
	0 PLACES	±	
	ANGULAR TOL	± °	
	DRAFT WHERE APPLICABLE MUST REMAIN WITHIN DIMENSIONS	THIRD ANGLE PROJECTION	DRAWING SERIES
			C-SIZE 130013
DOCUMENT STATUS	P1	RELEASE DATE	2021/07/12 18:53:06
DOCUMENT NUMBER		DOC TYPE	DOC PART
1300130008		PSD	000
MATERIAL NUMBER		CUSTOMER	SHEET NUMBER
SEE P/N LEGEND		GENERAL MARKET	1 OF 1