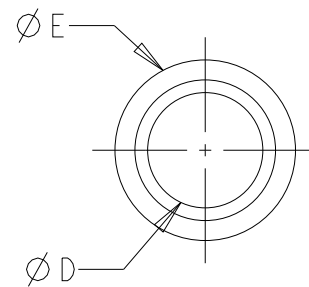
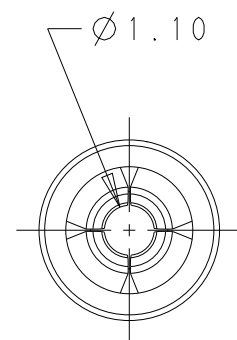
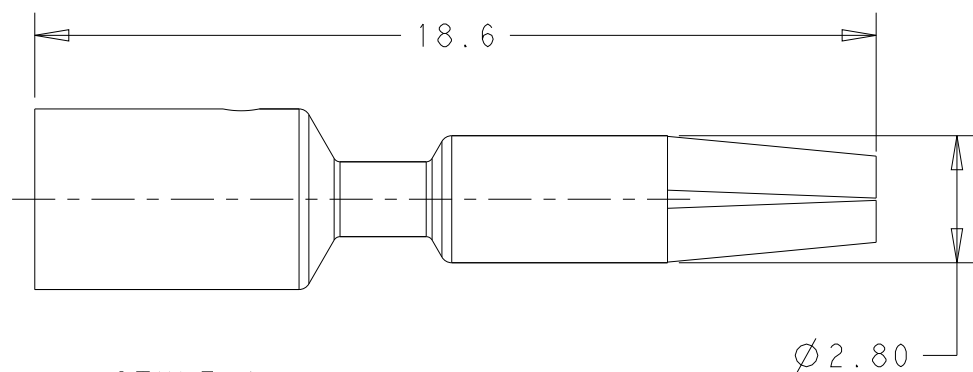
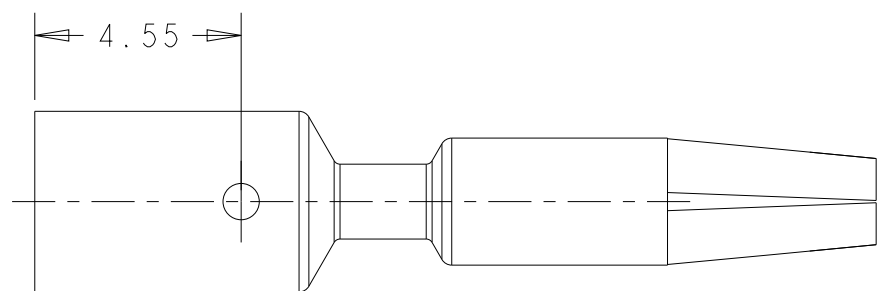
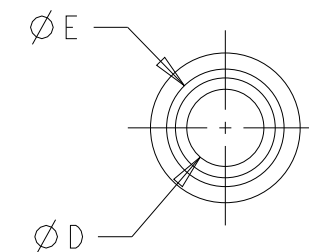
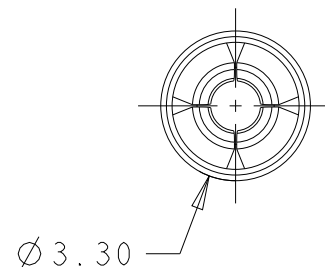
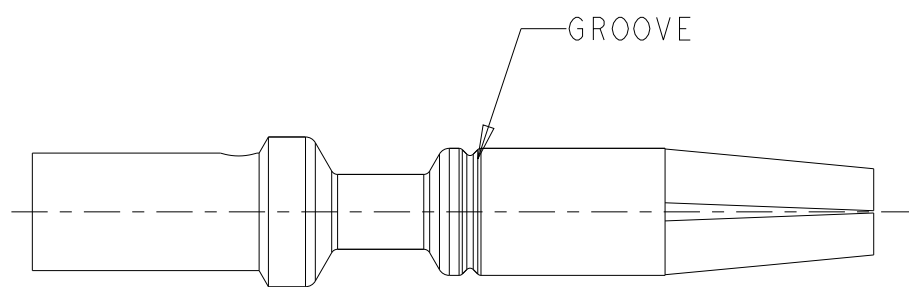
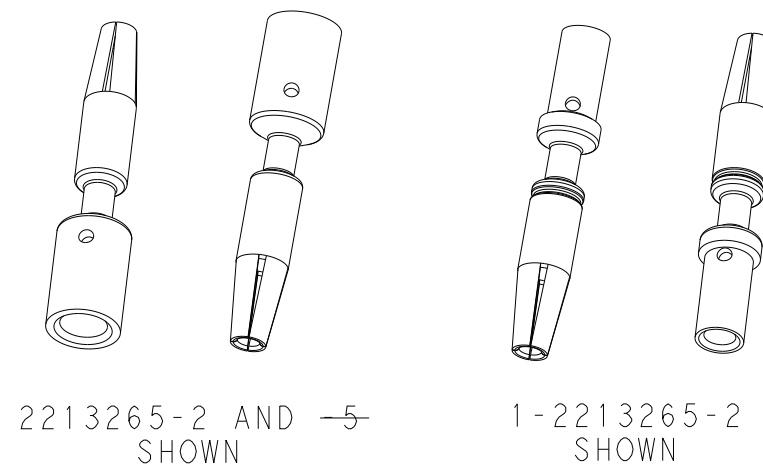


REVISIONS

P	LTR	DESCRIPTION	DATE	DWN	APVD
	A	REVISED AS PER ECR-15-005925	21APR2015	RS	JL
	A1	REVISED AS PER ECR-18-017740	12NOV2018	SR	MZ
	A2	REVISED AS PER ECR-21-107406	06OCT2021	SR	MZ



STYLE A



STYLE B

NOTES:

- MATERIALS AND FINISH:
COPPER ALLOY, FINISH: Sn OVER Ni
- MUST COMPLY WITH DIRECTIVE 2002/95/EC (ROHS)
- THIS PRODUCT HAS NOT COMPLETED VALIDATION TESTING

OBSOLETE

16/18	2.59	1.70	1	B	1-2213265-2
14	3.98	2.54	N/A	A	2213265-5
12/14	3.98	2.54	1	A	2213265-2
WIRE (AWG)	DIM. "E"	DIM. "D"	NO OF GROOVES	BARREL STYLE	PART NO

THIS DRAWING IS A CONTROLLED DOCUMENT.		DWN RAVI.S 28MAY2013																	
DIMENSIONS: mm		CHK C GINGRICH 28MAY2013																	
TOLERANCES UNLESS OTHERWISE SPECIFIED:		APVD C GINGRICH 28MAY2013	NAME MACHINED SOCKET CONTACT NECTOR M-LINE																
<table border="0"> <tr> <td>0 PLC</td> <td>±</td> </tr> <tr> <td>1 PLC</td> <td>±0.3</td> </tr> <tr> <td>2 PLC</td> <td>±0.15</td> </tr> <tr> <td>3 PLC</td> <td>±</td> </tr> <tr> <td>4 PLC</td> <td>±</td> </tr> <tr> <td>ANGLES</td> <td>±</td> </tr> <tr> <td>FINISH</td> <td>±</td> </tr> </table>		0 PLC	±	1 PLC	±0.3	2 PLC	±0.15	3 PLC	±	4 PLC	±	ANGLES	±	FINISH	±	PRODUCT SPEC 108-133014	SIZE A3		
0 PLC	±																		
1 PLC	±0.3																		
2 PLC	±0.15																		
3 PLC	±																		
4 PLC	±																		
ANGLES	±																		
FINISH	±																		
MATERIAL NOTE 1		APPLICATION SPEC 114-32111	CAGE CODE 00779	DRAWING NO C-2213265	RESTRICTED TO -														
CUSTOMER DRAWING		WEIGHT -	SCALE 4:1																
		SHEET 1 OF 1			REV A2														