

CONFIGURATION			
ASSEMBLY NO.	K	N	(L)
75861-050*	4	7.40	9.10
75861-010*	9	16.65	18.35
75861-020*	24	44.40	46.10

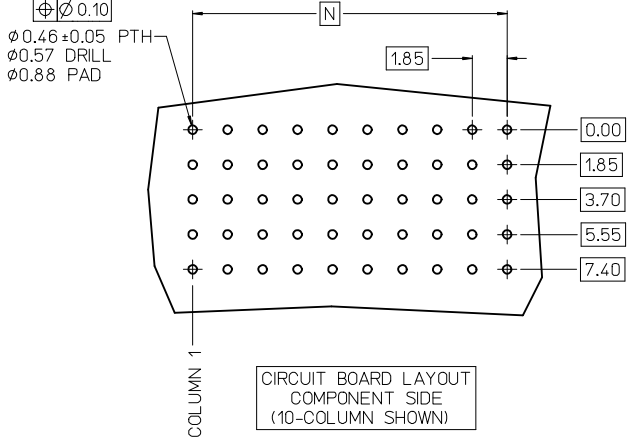
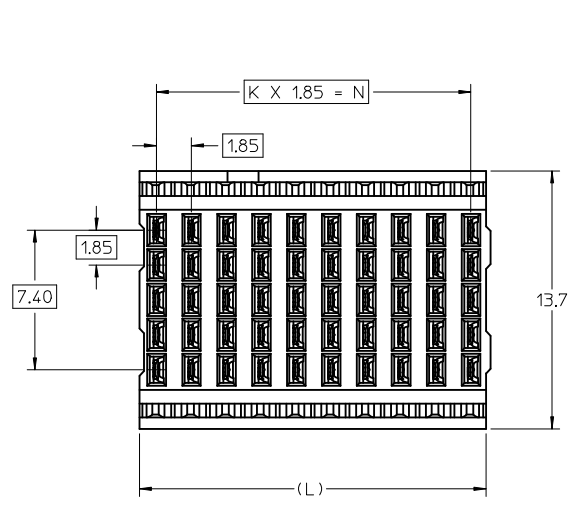
75861-0*0*

COLUMN

05 = 5
01 = 10
02 = 25

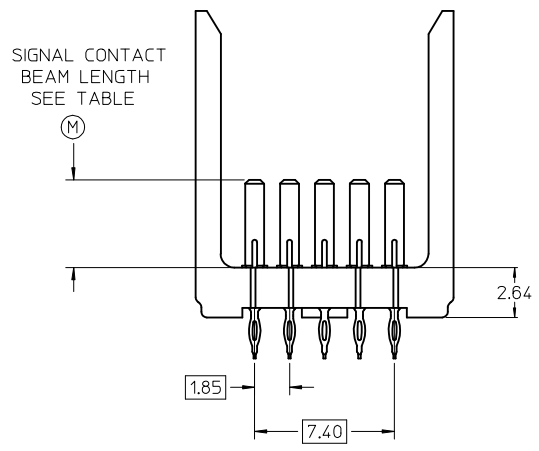
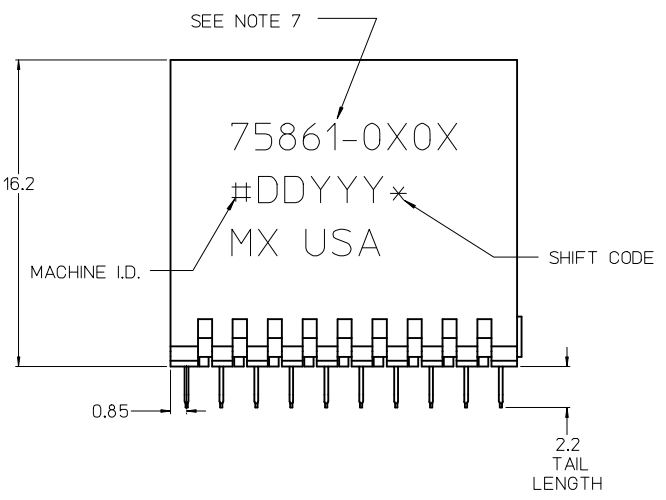
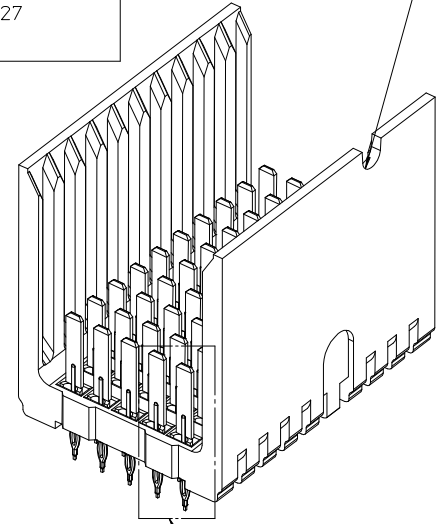
PIN LENGTH DIM "M"	GOLD (Au) THICKNESS micrometers
0=3.55 mm	0.25 (MAPS)
1=4.55 mm	
2=5.55 mm	
3=3.55 mm	
4=4.55 mm	0.76
5=5.55 mm	
7=3.55 mm	
8=4.55 mm	1.27
9=5.55 mm	

NOTCH DESIGNATES APPROX. POSITION OF A1. ARCH & NOTCH ON OPPOSITE SIDE OF PART MARKING

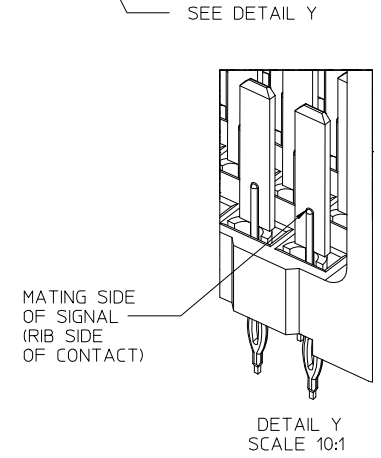


CIRCUIT BOARD LAYOUT COMPONENT SIDE (10-COLUMN SHOWN)

THE PRIMARY CARTON WITH A LABEL STATING "ELV AND RoHS COMPLAINT" IS LEAD FREE. CARTONS WITHOUT THIS LABEL MAY CONTAIN LEAD.



LEAD-FREE PLATING



- NOTES:
1. MATERIAL: HOUSING - LIQUID CRYSTAL POLYMER (LCP), GLASS-FILLED, UL 94V-0, GRAY, SIGNAL CONTACTS - HIGH PERFORMANCE COPPER ALLOY.
 2. FINISHES: SELECTIVE GOLD (Au) ON CONTACT AREA, SELECTIVE MATTE TIN (Sn) ON TAIL AREA, NICKEL (Ni) OVERALL.
 3. 10-COLUMN ASSEMBLY SHOWN AS REFERENCE. SEE TABLE AND CHART FOR OTHER OPTIONS.
 4. PARTS PACKAGED PER PK-70873-5058.
 5. THIS PART CONFORMS TO MOLEX PRODUCT SPECIFICATION PS-75221-999.
 6. FOR MIXED CONTACT MATING LENGTHS CONSULT MOLEX.
 7. EITHER MARK PART NUMBER AND DATE CODE APPROXIMATELY WHERE SHOWN OR PLACE A LABEL ON THE TUBE.
 8. MINIMUM CIRCUIT BOARD THICKNESS: 1.6
 9. THESE PARTS CONFORM TO MOLEX COSMETIC SPECIFICATION PS-45499-002 CLASS B.
 10. MAPS (MOLEX ADVANCED PLATING SYSTEM).

REV TO LEAD-FREE EC NO: UCP2013-0690 DRAWINGS: 2012/09/05 CHKD: MWLFE 2012/09/05 APPR: SMILLER 2012/12/05	QUALITY SYMBOLS ▽=0 ▽=0 ▽=0	GENERAL TOLERANCES (UNLESS SPECIFIED)		DIMENSION STYLE MM ONLY		SCALE 5:1	DESIGN UNITS METRIC	THIRD ANGLE PROJECTION	
		mm	INCH	DRAWN BY JB INGHAM	DATE 2006/02/03	TITLE GBX 2-PAIR L-SERIES LF OPEN END BACKPLANE SALES ASSEMBLY DRAWING	DOCUMENT NO. SD-75861-010		SHEET NO. 1 OF 1
DRAFT WHERE APPLICABLE MUST REMAIN WITHIN DIMENSIONS		ANGULAR ±1/2°		SEE CHART		THIS DRAWING CONTAINS INFORMATION THAT IS PROPRIETARY TO MOLEX INCORPORATED AND SHOULD NOT BE USED WITHOUT WRITTEN PERMISSION			

CONFIGURATION			
ASSEMBLY NO.	K	N	(L)
75861-050*	4	7.40	9.10
75861-010*	9	16.65	18.35
75861-020*	24	44.40	46.10

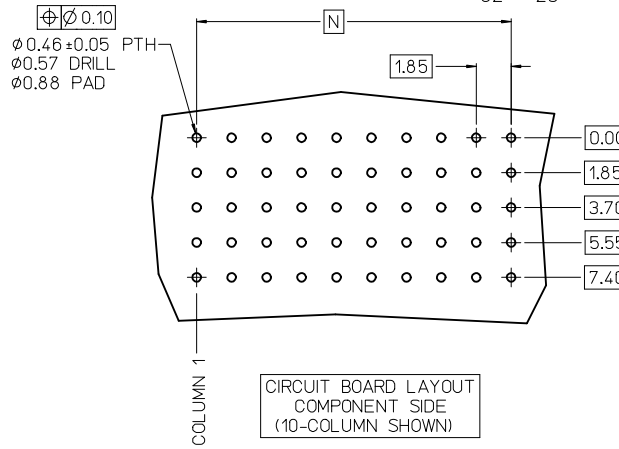
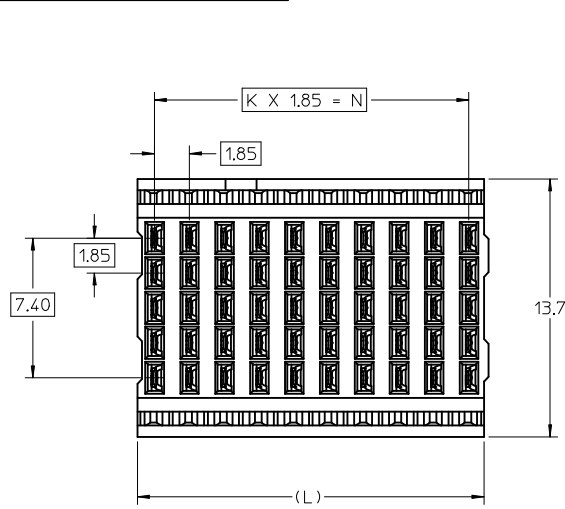
75861-0*0*

COLUMN

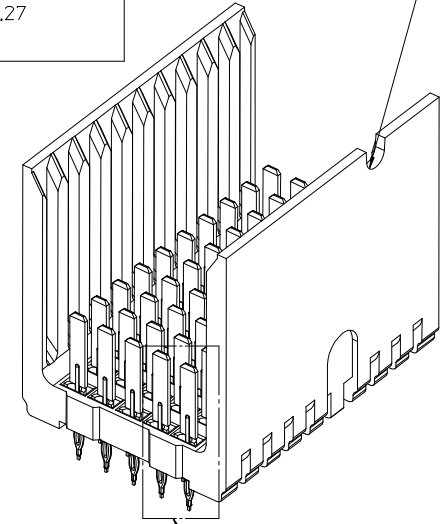
05 = 5
01 = 10
02 = 25

PIN LENGTH DIM "M"	GOLD (Au) THICKNESS micrometers
0=3.55 mm	0.25 (MAPS)
1=4.55 mm	
2=5.55 mm	
3=3.55 mm	
4=4.55 mm	0.76
5=5.55 mm	
7=3.55 mm	
8=4.55 mm	1.27
9=5.55 mm	

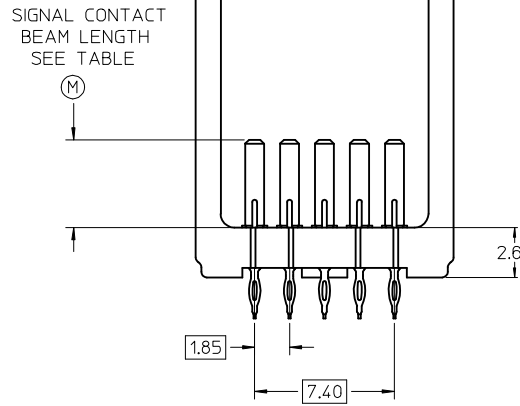
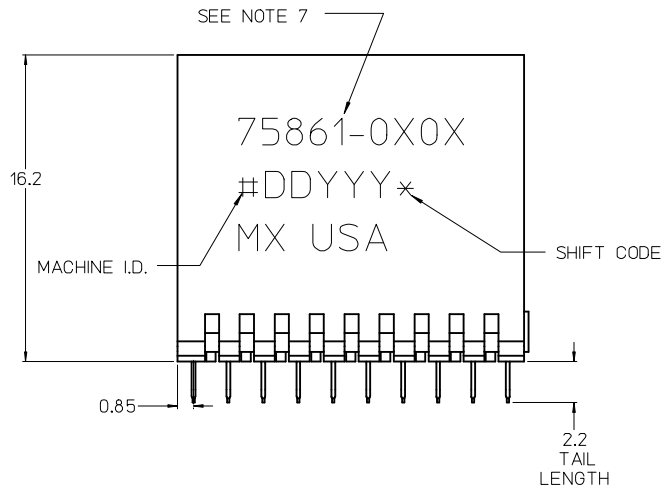
NOTCH DESIGNATES APPROX. POSITION OF A1. ARCH & NOTCH ON OPPOSITE SIDE OF PART MARKING



THE PRIMARY CARTON WITH A LABEL STATING "ELV AND RoHS COMPLAINT" IS LEAD FREE. CARTONS WITHOUT THIS LABEL MAY CONTAIN LEAD.

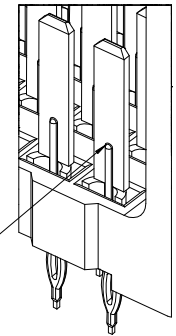


SEE DETAIL Y



LEAD-FREE PLATING

MATING SIDE OF SIGNAL (RIB SIDE OF CONTACT)



DETAIL Y SCALE 10:1

- NOTES:
1. MATERIAL: HOUSING - LIQUID CRYSTAL POLYMER (LCP), GLASS-FILLED, UL 94V-0, GRAY, SIGNAL CONTACTS - HIGH PERFORMANCE COPPER ALLOY.
 2. FINISHES: SELECTIVE GOLD (Au) ON CONTACT AREA, SELECTIVE MATTE TIN (Sn) ON TAIL AREA, NICKEL (Ni) OVERALL.
 3. 10-COLUMN ASSEMBLY SHOWN AS REFERENCE. SEE TABLE AND CHART FOR OTHER OPTIONS.
 4. PARTS PACKAGED PER PK-70873-5058.
 5. THIS PART CONFORMS TO MOLEX PRODUCT SPECIFICATION PS-75221-999.
 6. FOR MIXED CONTACT MATING LENGTHS CONSULT MOLEX.
 7. EITHER MARK PART NUMBER AND DATE CODE APPROXIMATELY WHERE SHOWN OR PLACE A LABEL ON THE TUBE.
 8. MINIMUM CIRCUIT BOARD THICKNESS: 1.6
 9. THESE PARTS CONFORM TO MOLEX COSMETIC SPECIFICATION PS-45499-002 CLASS B.
 10. MAPS (MOLEX ADVANCED PLATING SYSTEM).

REV TO LEAD-FREE EC NO: UCP2013-0690 DRAWINGS: 2012/09/05 CHKD:MMWLF 2012/09/05 APPR:SMILLER 2012/12/05	QUALITY SYMBOLS ▽=0 ▽=0 ▽=0	GENERAL TOLERANCES (UNLESS SPECIFIED)		DIMENSION STYLE MM ONLY		SCALE 5:1	DESIGN UNITS METRIC	THIRD ANGLE PROJECTION	
		mm	INCH	DRAWN BY JB INGHAM	DATE 2006/02/03	TITLE GBX 2-PAIR L-SERIES LF OPEN END BACKPLANE SALES ASSEMBLY DRAWING	molex		
4 PLACES ± --- ± ---		3 PLACES ± --- ± ---		CHECKED BY KMULVEY		DATE 2006/02/03		DOCUMENT NO. SD-75861-010	
2 PLACES ± 0.25 ± ---		1 PLACE ± 0.38 ± ---		APPROVED BY SMILLER		DATE 2012/12/05		SHEET NO. 1 OF 1	
0 PLACE ± --- ± ---		ANGULAR ±1/2°		MATERIAL NO. SEE CHART		THIS DRAWING CONTAINS INFORMATION THAT IS PROPRIETARY TO MOLEX INCORPORATED AND SHOULD NOT BE USED WITHOUT WRITTEN PERMISSION			
DRAFT WHERE APPLICABLE MUST REMAIN WITHIN DIMENSIONS		SIZE							