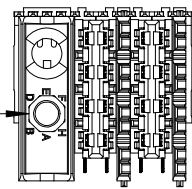
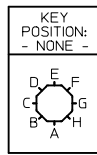


NOTE:

1. MATERIALS: HOUSING - LIQUID CRYSTAL POLYMER (LCP) GLASS-FILLED, UL 94V-0
2. FINISH: SELECTIVE GOLD (Au) 0.76 MICROMETERS MINIMUM IN CONTACT AREA, SELECTIVE MATTE TIN (Sn) ON PCB TAILS, NICKEL (Ni) OVERALL.
3. REFER TO MOLEX PRODUCT SPECIFICATION PS-75221-999 FOR PERFORMANCE SPECIFICATIONS.
4. POSITION OF TAILS TO BE INSPECTED USING TAIL TEMPLATE P/N 74047-0082.
5. PARTS TO BE PACKAGED PER PK-70873-564. QUANTITY PER TRAY POCKET: 12 TOTAL QUANTITY PER TRAY: 72
6. MARK LABEL WITH PART NUMBER AND DATE CODE.
7. ASSEMBLE MODULES TO STIFFENER PER DRAWING E-75226-003.
8. LABEL MAY BE REPLACED BY LASER MARKINGS ON THE STIFFENER.
9. THIS PART CONFORMS TO CLASS 'B' REQUIREMENTS OF MOLEX COSMETIC SPECIFICATION PS-45499-002.
10. MOUNTING SCREWS WILL BE BAGGED WITH EACH CONNECTOR.

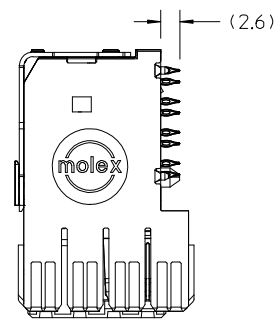
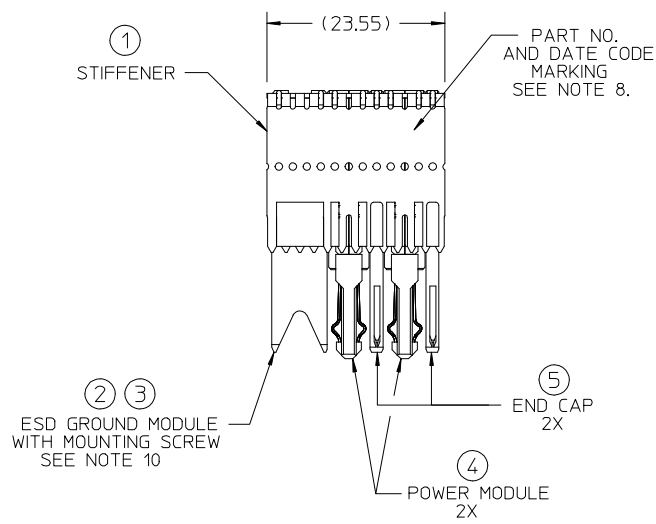


LEAD-FREE
PLATING

ITEM	PART NUMBER	DESCRIPTION	QTY
1	75226-0023	STIFFENER	1
2	75227-5014	ESD GROUND MODULE, KEY="NONE"	1
3	73726-0000	GROUND MODULE MNTG SCREW	1
4	75292-4060	POWER MODULE - GBX 4 PAIR, LF	2
5	75228-1004	END CAP WITH PEGS	2

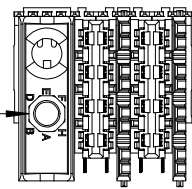
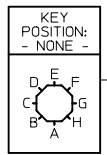
CUSTOMER: GAINSPEED

INITIAL RELEASE EC NO: UCP2014-1858 DRWNS:SVANG01 2014/01/06 CHKD:MWOLFE 2014/01/06 APPR:SMILLER 2014/01/16	QUALITY SYMBOLS 	GENERAL TOLERANCES (UNLESS SPECIFIED)		DIMENSION STYLE MM ONLY	SCALE 2:1	DESIGN UNITS METRIC	THIRD ANGLE PROJECTION		
		4 PLACES ± --- ± ---	3 PLACES ± --- ± ---	2 PLACES ± 0.05 ± ---	1 PLACE ± 0.13 ± ---	0 PLACE ± ±	TITLE GBX 4 PAIR CUSTOM DAUGHTERCARD, LF ASSEMBLY DRAWING		
		ANGULAR ±1/2°		MATERIAL NO. 75220-0336		DOCUMENT NO. E-75220-0336			
		DRAFT WHERE APPLICABLE MUST REMAIN WITHIN DIMENSIONS		SIZE C		SHEET NO. 1 OF 1			



NOTE:

1. MATERIALS: HOUSING - LIQUID CRYSTAL POLYMER (LCP) GLASS-FILLED, UL 94V-0
2. FINISH: SELECTIVE GOLD (Au) 0.76 MICROMETERS MINIMUM IN CONTACT AREA, SELECTIVE MATTE TIN (Sn) ON PCB TAILS, NICKEL (Ni) OVERALL.
3. REFER TO MOLEX PRODUCT SPECIFICATION PS-75221-999 FOR PERFORMANCE SPECIFICATIONS.
4. POSITION OF TAILS TO BE INSPECTED USING TAIL TEMPLATE P/N 74047-0082.
5. PARTS TO BE PACKAGED PER PK-70873-564. QUANTITY PER TRAY POCKET: 12 TOTAL QUANTITY PER TRAY: 72
6. MARK LABEL WITH PART NUMBER AND DATE CODE.
7. ASSEMBLE MODULES TO STIFFENER PER DRAWING E-75226-003.
8. LABEL MAY BE REPLACED BY LASER MARKINGS ON THE STIFFENER.
9. THIS PART CONFORMS TO CLASS 'B' REQUIREMENTS OF MOLEX COSMETIC SPECIFICATION PS-45499-002.
10. MOUNTING SCREWS WILL BE BAGGED WITH EACH CONNECTOR.

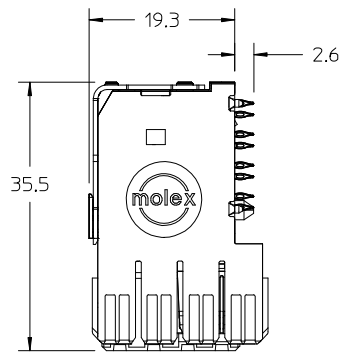


LEAD-FREE
PLATING

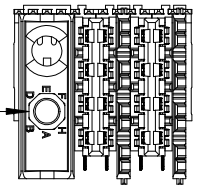
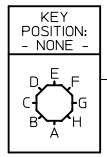
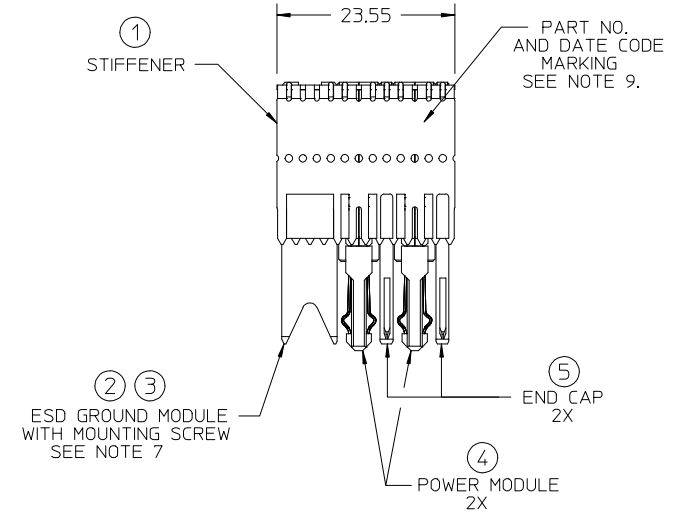
ITEM	PART NUMBER	DESCRIPTION	QTY
1	75226-0023	STIFFENER	1
2	75227-5014	ESD GROUND MODULE, KEY="NONE"	1
3	73726-0000	GROUND MODULE MNTG SCREW	1
4	75292-4060	POWER MODULE - GBX 4 PAIR, LF	2
5	75228-1004	END CAP WITH PEGS	2

CUSTOMER: GAINSPEED

INITIAL RELEASE EC NO: UCP2014-1858 DRWNS:SVANG01 2014/01/06 CHKD:MWOLFE 2014/01/06 APPR:SMILLER 2014/01/16	QUALITY SYMBOLS 	GENERAL TOLERANCES (UNLESS SPECIFIED)		DIMENSION STYLE MM ONLY	SCALE 2:1	DESIGN UNITS METRIC	THIRD ANGLE PROJECTION
		4 PLACES ± --- ± ---	DRAWN BY SVANG01	DATE 2014/01/06	GBX 4 PAIR CUSTOM DAUGHTERCARD, LF ASSEMBLY DRAWING 		
		3 PLACES ± --- ± ---	CHECKED BY MWOLFE	DATE 2014/01/06			
		2 PLACES ± 0.05 ± ---	APPROVED BY SMILLER	DATE 2014/01/16			
1 PLACE ± 0.13 ± ---	MATERIAL NO. 75220-0336		DOCUMENT NO. E-75220-0336	SHEET NO. 1 OF 1			
0 PLACE ± ±	ANGULAR ±1/2°		DRAFT WHERE APPLICABLE MUST REMAIN WITHIN DIMENSIONS				

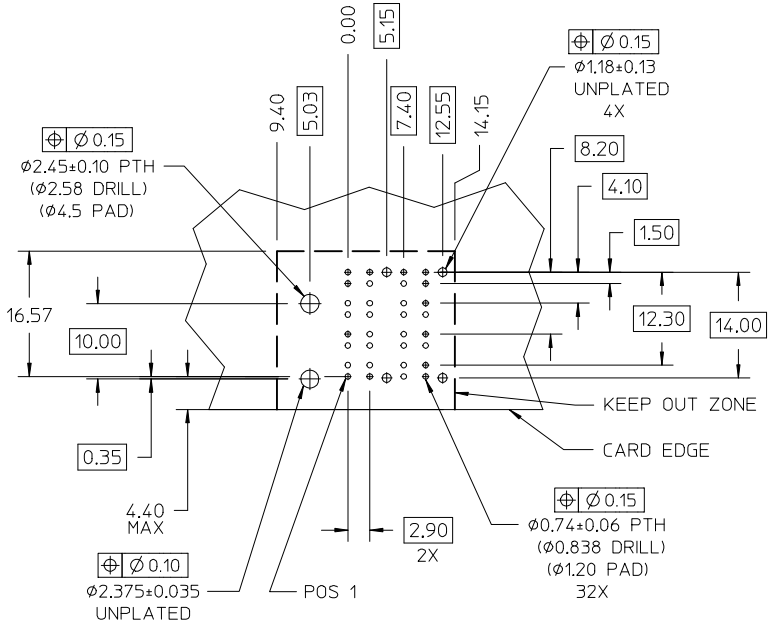


- NOTES: (UNLESS OTHERWISE SPECIFIED)
1. MATERIALS: HOUSING - LIQUID CRYSTAL POLYMER (LCP) GLASS-FILLED, UL 94V-0
 2. FINISH: SELECTIVE GOLD (Au) 0.76 MICROMETERS MINIMUM IN CONTACT AREA, SELECTIVE MATTE TIN (Sn) ON PCB TAILS, NICKEL (Ni) OVERALL.
 3. REFER TO MOLEX PRODUCT SPECIFICATION PS-75221-999 FOR PERFORMANCE SPECIFICATIONS.
 4. REFER TO MOLEX DOCUMENT SD-75292-001 FOR ADDITIONAL DETAIL ON THE GBX 4 PAIR POWER MODULE.
 5. REFER TO MOLEX DOCUMENT SD-75227-001 FOR ADDITIONAL DETAIL ON THE GBX 4 PAIR GROUND MODULE.
 6. REFER TO MOLEX DOCUMENT SD-75228-001 FOR ADDITIONAL DETAIL ON THE GBX 4 PAIR END CAP.
 7. PARTS ARE TO BE PACKAGED IN TRAYS PER PK-70873-564. MOUNTING SCREWS WILL BE BAGGED WITH EACH CONNECTOR.
 8. THIS PART CONFORMS TO CLASS 'B' REQUIREMENTS OF MOLEX COSMETIC SPECIFICATION PS-45499-002.
 9. MARK LABEL WITH PART NUMBER AND DATE CODE. LABEL MAY BE REPLACED BY LASER MARKINGS ON THE STIFFENER.



LEAD-FREE
PLATING

ITEM	PART NUMBER	DESCRIPTION	QTY
1	75226-0023	STIFFENER	1
2	75227-5014	ESD GROUND MODULE, KEY="NONE"	1
3	73726-0000	GROUND MODULE MNTG SCREW	1
4	75292-4060	POWER MODULE - GBX 4 PAIR, LF	2
5	75228-1004	END CAP WITH PEGS	2



DAUGHTERCARD HOLE PATTERN
(CONNECTOR SIDE)

CUSTOMER: GAINSPEED

INITIAL RELEASE EC NO: UCP2014-1858 DRWNS:VANG01 2014/01/06 CHKD:MWOLFE 2014/01/06 APPR:SMILLER 2014/01/16 REY:	QUALITY SYMBOLS 	GENERAL TOLERANCES (UNLESS SPECIFIED)		DIMENSION STYLE MM ONLY	SCALE 2:1	DESIGN UNITS METRIC	THIRD ANGLE PROJECTION	
		4 PLACES ± --- ± --- 3 PLACES ± --- ± --- 2 PLACES ± 0.13 ± --- 1 PLACE ± 0.25 ± --- 0 PLACE ± ±	mm INCH DRAWN BY DATE SVANG01 2014/01/06 CHECKED BY DATE MWOLFE 2014/01/06 APPROVED BY DATE SMILLER 2014/01/16	TITLE GBX 4 PAIR CUSTOM DAUGHTERCARD, LF SALES DRAWING		MATERIAL NO. 75220-0336	DOCUMENT NO. RSD-75220-0336	SHEET NO. 1 OF 1
		ANGULAR ±1/2°		DRAFT WHERE APPLICABLE MUST REMAIN WITHIN DIMENSIONS		molex		
		THIS DRAWING CONTAINS INFORMATION THAT IS PROPRIETARY TO MOLEX. INCORPORATED AND SHOULD NOT BE USED WITHOUT WRITTEN PERMISSION						