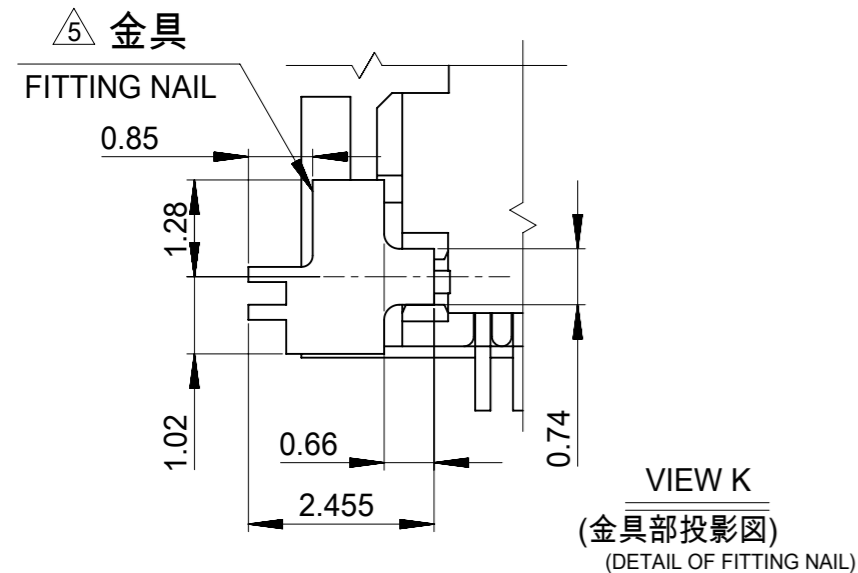
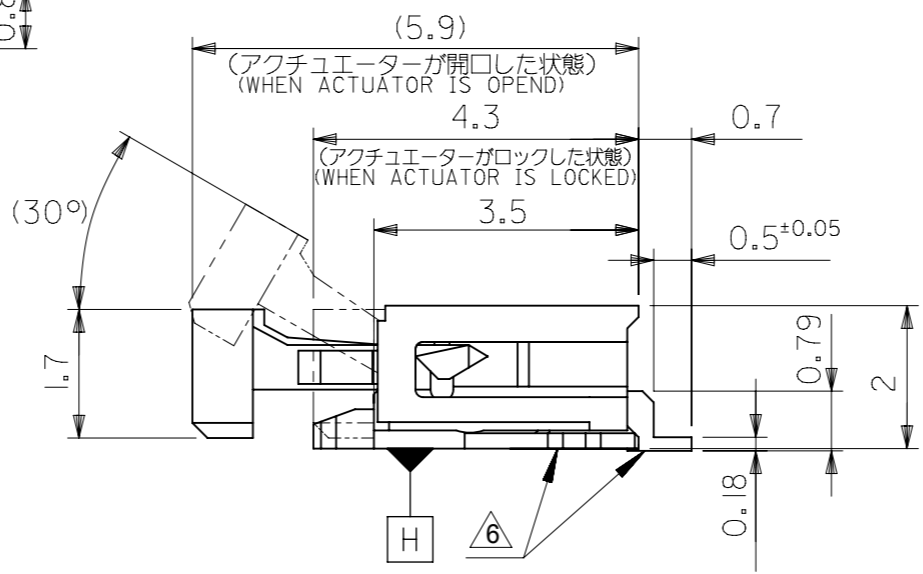
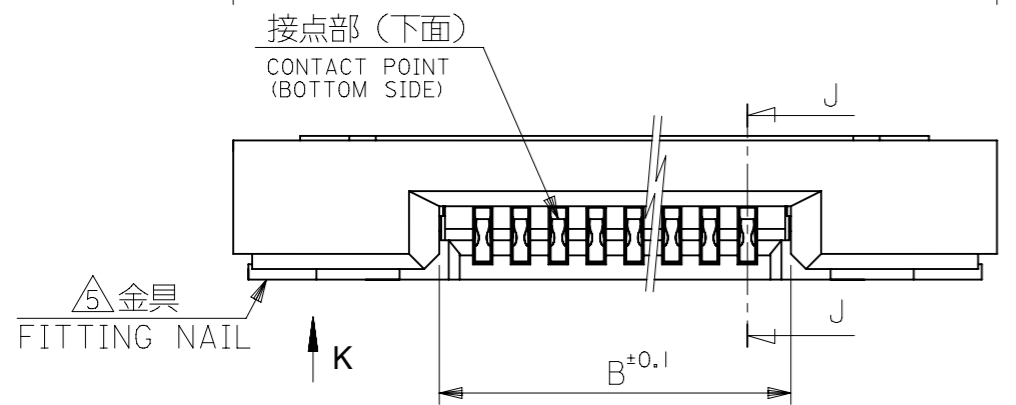
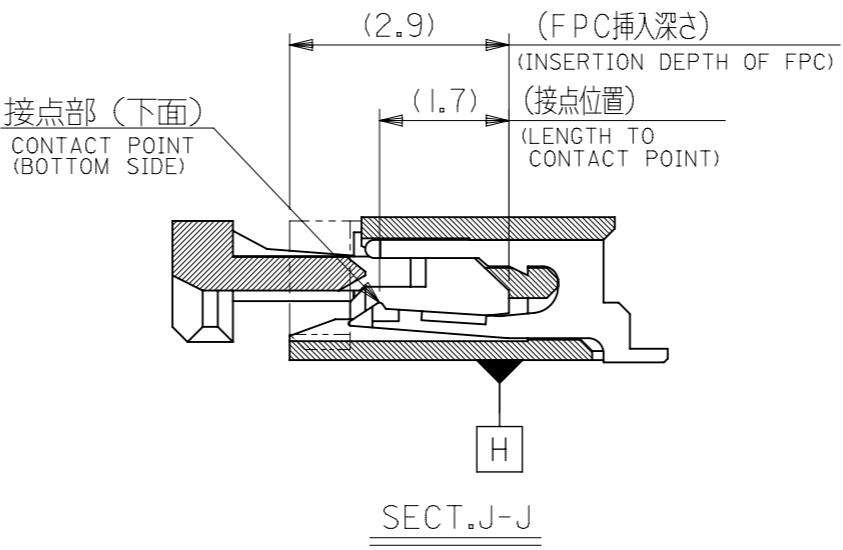
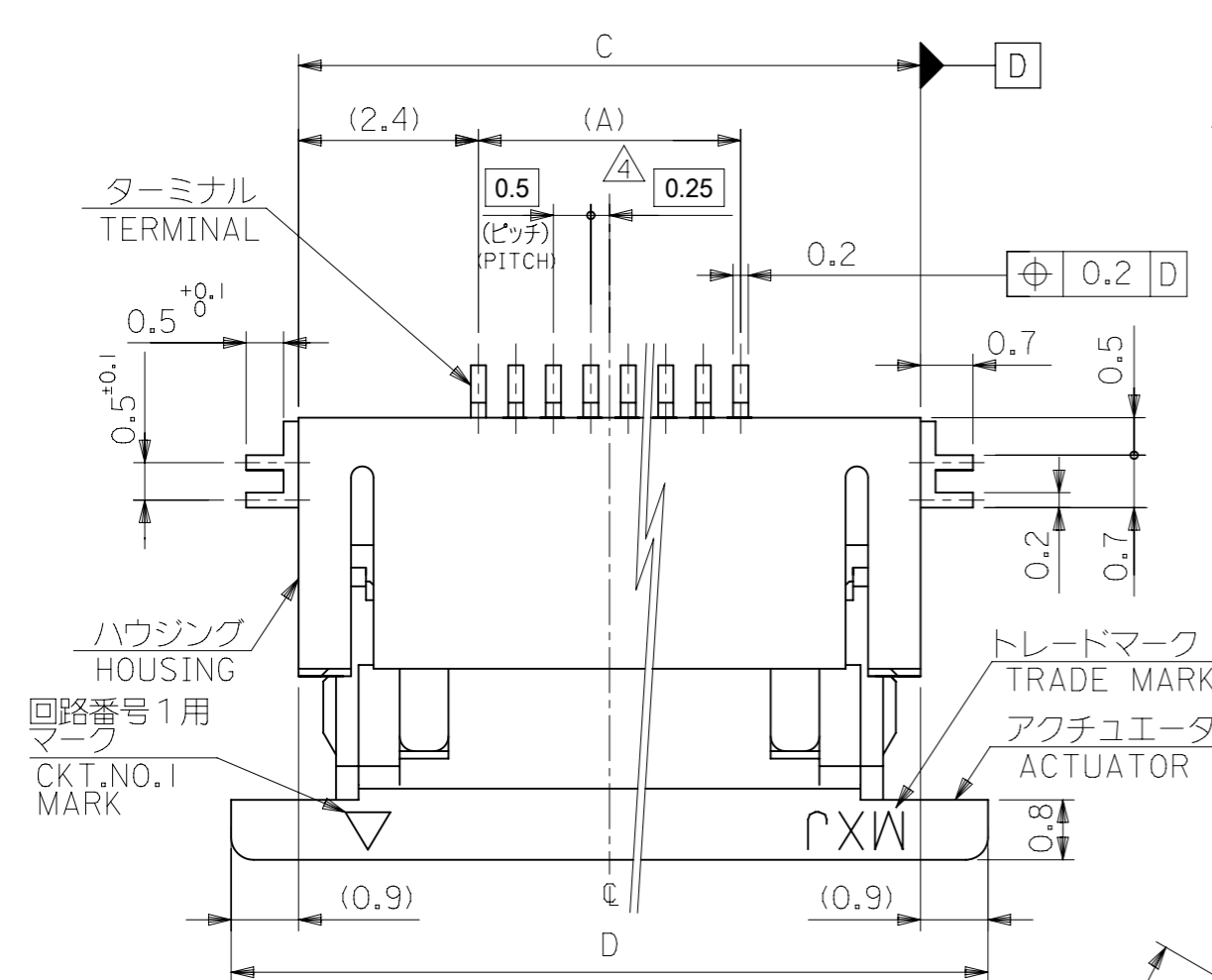


注記(NOTES)

- 材質 MATERIAL
 ハウジング: ポリアミド (PA)、ガラス充填、白色、UL94V-0
 HOUSING: POLYAMIDE, GLASS FILLED, WHITE, UL94V-0
 アクチュエータ: ポリフェニレンサルファド (PPS)、ガラス充填、茶色、UL94V-0
 ACTUATOR: POLYPHENYLENE SULFIDE, GLASS FILLED, BROWN, UL94V-0
 ターミナル: リン青銅 (t=0.2)
 TERMINAL: PHOSPHOR BRONZE (t=0.2)
 金具: リン青銅 (t=0.2)
 NAIL: PHOSPHOR BRONZE (t=0.2)
 - メッキ仕様 PLATING
 ターミナル
 TERMINAL
 錫銀ヒスマメッキ(1.0μm以上)
 TIN SILVER BISMUTH PLATING (1.0MICROMETER MINIMUM)
 下地メッキ: ニッケルメッキ(1.0μm以上)
 UNDER PLATING: NICKEL PLATING (1.0MICROMETER MINIMUM)
 - 金具
 NAIL
 錫メッキ(1.0μm以上)
 TIN PLATING (1.0MICROMETER MINIMUM)
 下地メッキ: ニッケルメッキ(1.0μm以上)
 UNDER PLATING: NICKEL PLATING (1.0MICROMETER MINIMUM)
- △3 R0.3はFPCの導体部にかからないこと
 R0.3 MUST NOT BE OVERLAPED TO PATTERN OF FPC.
- △4 偶数極に適用
 APPLY FOR EVEN CIRCUIT.
- △5 パターン剥離止め金具
 FITTING NAIL FOR PREVENTION OF PEELING OF P.W.B. PATTERN.
- △6 ソルダータール半田付け面のズレ量、及び金具半田付け面のズレ量は、基準面Hに対して上方向に0.1MAXIMUM、下方向0.15MAXIMUMとする。
 MISALIGNMENT OF SOLDER TAILS AND FITTING NAILS FROM DATUM-H
 UPPER DIRECTION: 0.1MAXIMUM
 LOWER DIRECTION: 0.15MAXIMUM
- エンボステープ梱包時は、アクチュエータがロックした状態になります。
 IN THE PACKAGE, ACTUATOR OF PART NO.52746-**22 SHOULD BE LOCKED.
 - ELV及びRoHS適合品
 ELV AND RoHS COMPLIANT



16.1	14.3	10.65	9.5	52746-2033	20
15.6	13.8	10.15	9	52746-1933	19
15.1	13.3	9.65	8.5	52746-1833	18
14.6	12.8	9.15	8	52746-1733	17
14.1	12.3	8.65	7.5	52746-1633	16
13.6	11.8	8.15	7	52746-1533	15
13.1	11.3	7.65	6.5	52746-1433	14
12.6	10.8	7.15	6	52746-1333	13
12.1	10.3	6.65	5.5	52746-1233	12
11.6	9.8	6.15	5	52746-1133	11
11.1	9.3	5.65	4.5	52746-1033	10
10.6	8.8	5.15	4	52746-0933	9
10.1	8.3	4.65	3.5	52746-0833	8
9.6	7.8	4.15	3	52746-0733	7
9.1	7.3	3.65	2.5	52746-0633	6
8.1	6.3	2.65	1.5	52746-0433	4
D	C	B	(A)	EMBOSSED PACKAGE ORDER No. オーダー番号	極数 CKT.

CONNECTOR SERIES NO. : 52746-**22

GENERAL TOLERANCES (UNLESS SPECIFIED)	
10 UNDER	± 0.2
10 OVER 30 UNDER	± 0.25
30 OVER	± 0.3
ANGULAR ± 3°	
DRAFT WHERE APPLICABLE MUST REMAIN WITHIN DIMENSIONS	

THIS DRAWING CONTAINS INFORMATION THAT IS PROPRIETARY TO MOLEX ELECTRONIC TECHNOLOGIES, LLC AND SHOULD NOT BE USED WITHOUT WRITTEN PERMISSION

DIMENSION UNITS: mm SCALE: 10:1

CURRENT REV DESC: REVISED

EC NO: 600129
 DRWN: YCHEN128 2018/04/10
 CHK'D: KTAKAHASHI 2018/04/12
 APPR: NUKITA 2018/04/13

INITIAL REVISION:
 DRWN: KNAGUMO 2012/08/31
 APPR: KMORIKAWA 2013/04/16

THIRD ANGLE PROJECTION

DRAWING: A3-SIZE SERIES: 52746

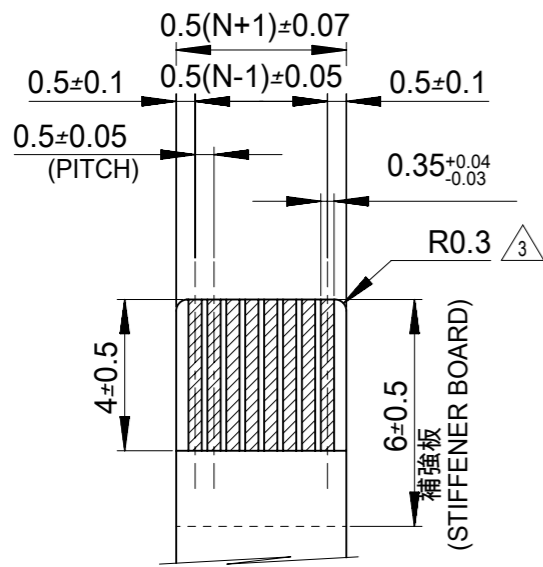
molex

0.5MM FPC CONN ZIF R/A
 HOUSING ASSY (BOTTOM CONTACT)

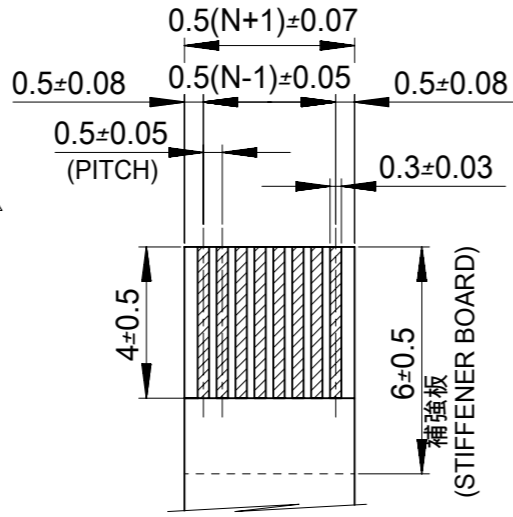
PRODUCT CUSTOMER DRAWING

DOCUMENT NUMBER: SD-52746-031 DOC TYPE: PSD DOC PART: 001 REVISION: B

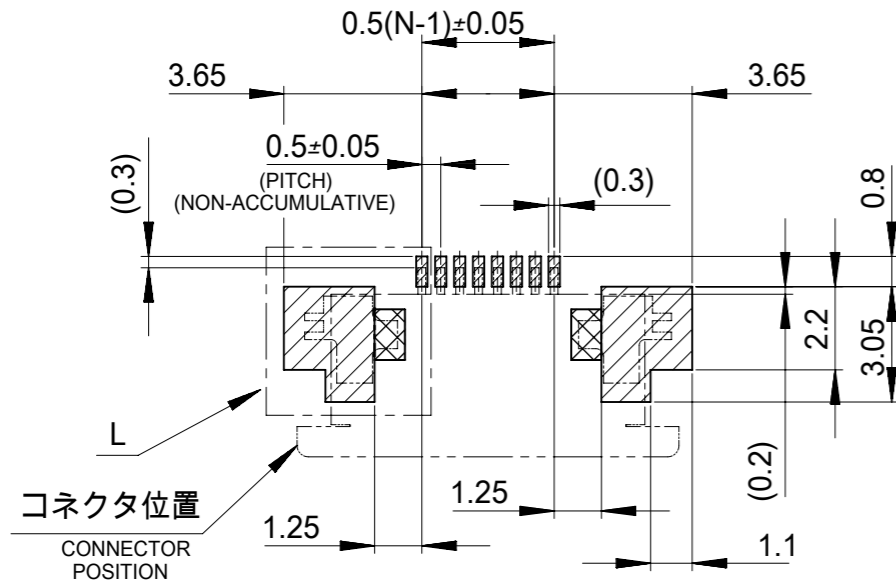
MATERIAL NUMBER: GENERAL MARKET CUSTOMER: SHEET NUMBER: 1 OF 2



適合半田めっきFPC推奨寸法
 APPLICABLE FPC OF TIN-LEAD
 PLATING RECOMMENDED DIMENSION
 仕上がり厚さ : 0.3±0.03
 THICKNESS: 0.3+0.03/-0.03

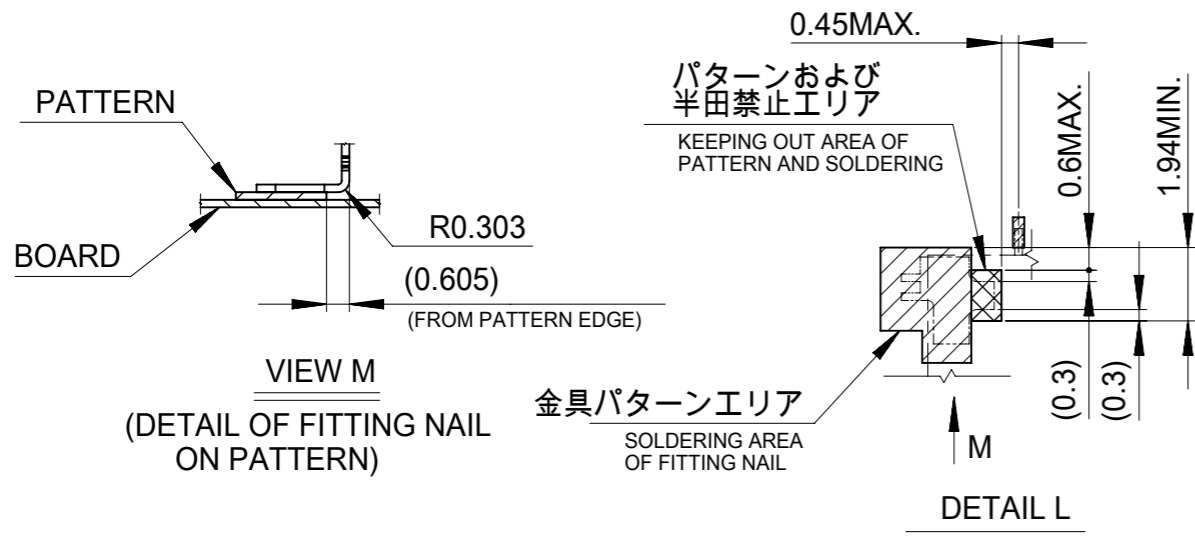


適合半田めっきFFC推奨寸法
 APPLICABLE FFC OF TIN-LEAD
 PLATING RECOMMENDED DIMENSION
 仕上がり厚さ : 0.3±0.03
 THICKNESS: 0.3+0.03/-0.03



推奨基板レイアウト
 (マウント面)
 RECOMMENDED P.C. BOARD
 PATTERN DIMENSION(REF.)
 (MOUNTING SIDE)

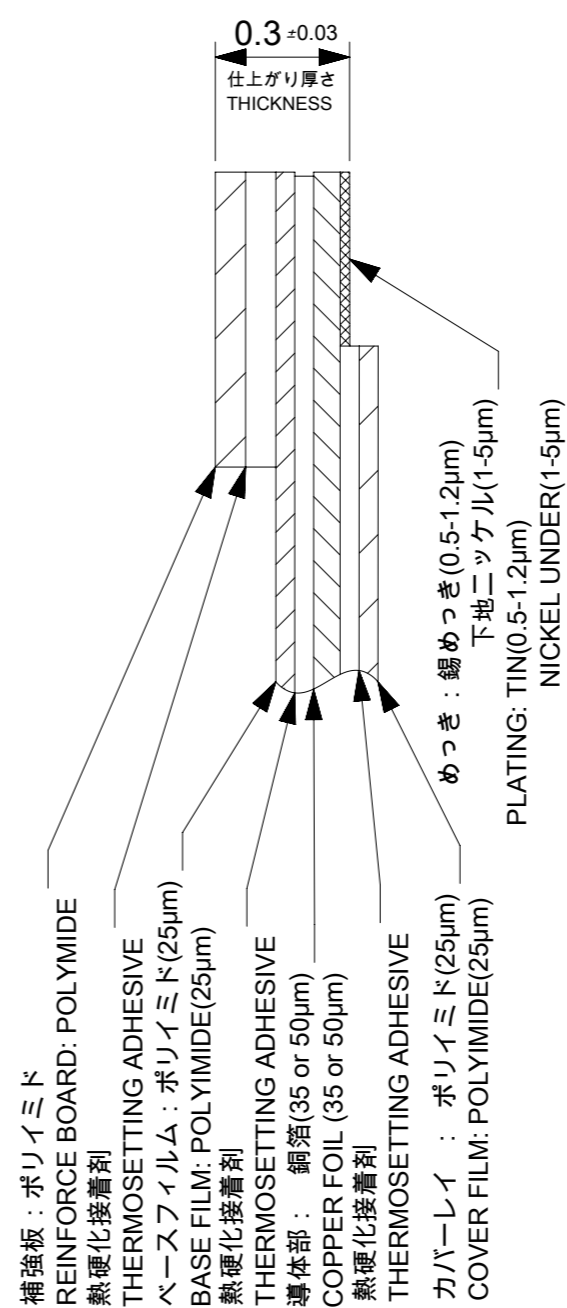
マスク厚 : 100µm
 マスク開口率 : 100%
 SCREEN THICKNESS : 100µm
 SCREEN OPEN RATIO : 100%



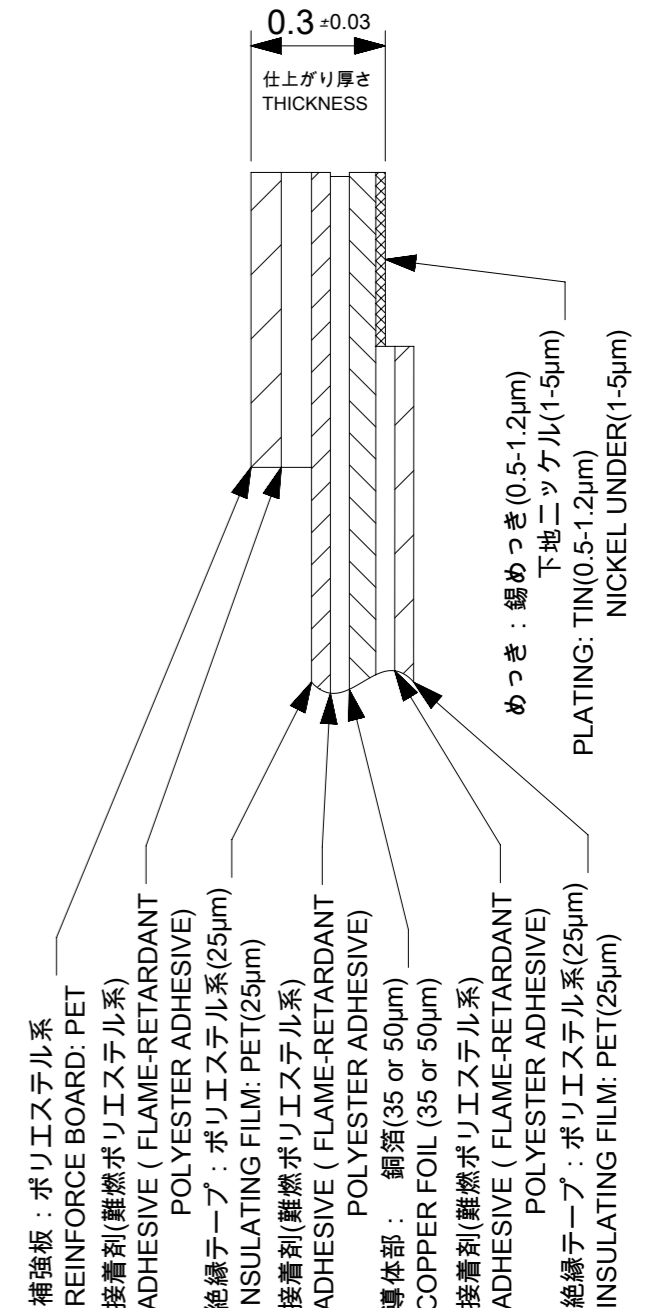
VIEW M
 (DETAIL OF FITTING NAIL
 ON PATTERN)

金具パターンエリア
 SOLDERING AREA
 OF FITTING NAIL

DETAIL L



FPC構成推奨仕様
 RECOMMENDED STRUCTURE OF FPC



FFC構成推奨仕様
 RECOMMENDED STRUCTURE OF FFC

FPC/FFCについて:
 抜き方向は、導体側から補強板側を推奨致します。
 尚、接着剤の接点部への付着は導通不良の原因になりますので、
 梁み出しが無い様お願い致します。

ABOUT FPC/FFC:
 RECOMMENDED PUNCHER DIRECTION:
 FROM CONDUCTOR SIDE TO STIFFNER SIDE
 PLEASE PUT APPROPRIATE AMOUNT OF ADHESIVE ON ADHEREND
 BECAUSE THERE IS A POSSIBILITY THAT THE EXTRA ADHESIVE
 CAUSES THE DEFECT IN ELECTRICAL CONTINUITY.

GENERAL TOLERANCES (UNLESS SPECIFIED)	
10 UNDER	± ---
10 OVER 30 UNDER	± ---
30 OVER	± ---
ANGULAR	± --- °
DRAFT WHERE APPLICABLE MUST REMAIN WITHIN DIMENSIONS	

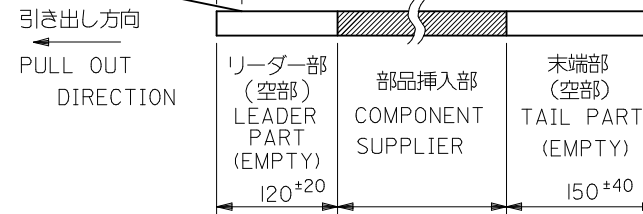
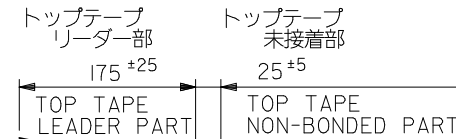
THIS DRAWING CONTAINS INFORMATION THAT IS PROPRIETARY TO MOLEX ELECTRONIC TECHNOLOGIES, LLC AND SHOULD NOT BE USED WITHOUT WRITTEN PERMISSION		CURRENT REV DESC: REVISED		molex	
GENERAL TOLERANCES (UNLESS SPECIFIED)		SCALE 5:1			
10 UNDER ± ---		ANGULAR TOL ± 30°		0.5MM FPC CONN ZIF R/A HOUSING ASSY (BOTTOM CONTACT)	
10 OVER 30 UNDER ± ---		4 PLACES ± 0.2		PRODUCT CUSTOMER DRAWING	
30 OVER ± ---		3 PLACES ± 0.25		DOCUMENT NUMBER	
ANGULAR ± --- °		2 PLACES ± 0.3		SD-52746-031	
DRAFT WHERE APPLICABLE MUST REMAIN WITHIN DIMENSIONS		1 PLACE ±		DOC TYPE DOC PART REVISION	
		0 PLACES ±		PSD 001 B	
		THIRD ANGLE PROJECTION		MATERIAL NUMBER	
		DRAWING A3-SIZE		CUSTOMER GENERAL MARKET	
		SERIES 52746		SHEET NUMBER 2 OF 2	

注記 NOTES

1. 製品番号52746-**22の梱包状態はアクチュエータがロックした状態とする。
 詳細寸法については図面SD-52746-031を参照下さい。
 IN THE PACKAGE, ACTUATOR OF PART NO.52746-**22 SHOULD BE LOCKED
 DETAIL DIMENSIONS, SEE SD-52746-031

2. 梱包数量：1000個/リール
 NUMBER OF CONNECTORS:1000PCS/REEL

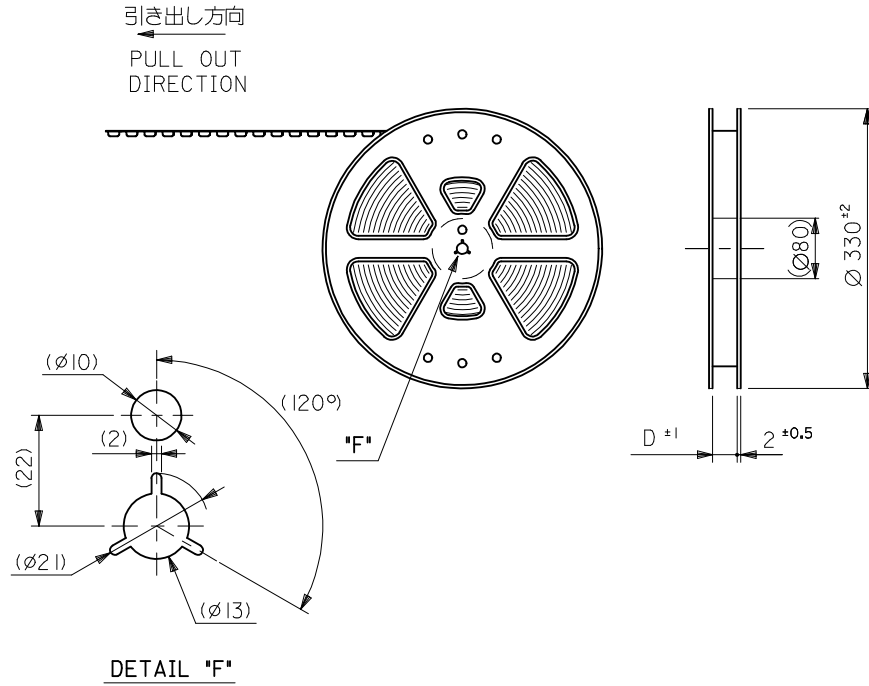
3. リードテープ長さ LEAD TAPE LENGTH



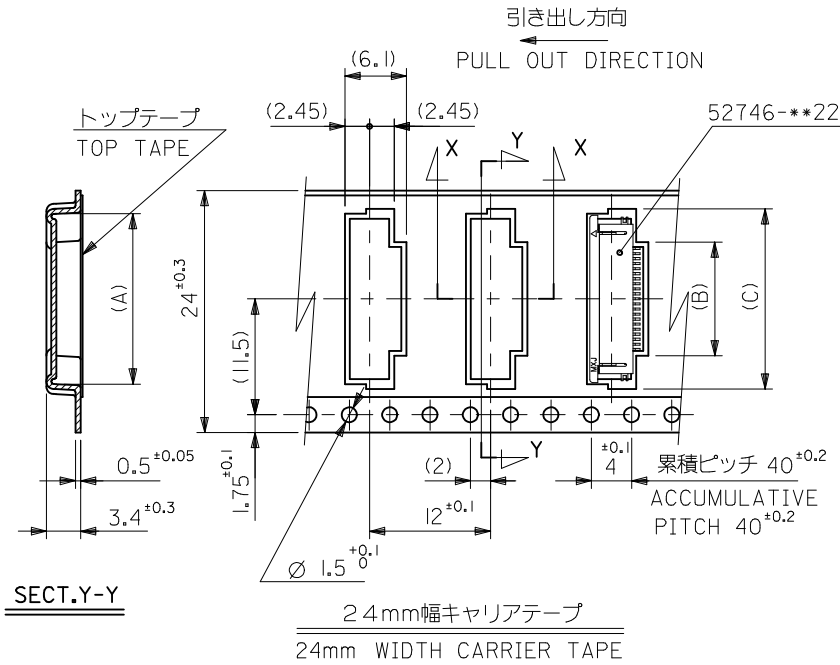
4. トップテープの剥離強度については、IEC60286-3に準拠
 TOP TAPE PEEL FORCE IS DEFINED BY IEC60286-3.

5. 材料 キャリアテープ：ポリプロピレン (PP)
 トップテープ：PET, PE, PEF
 リール：ポリスチレン (PS) <リサイクル材を含む>
 MATERIAL CARRIER TAPE:POLYPROPYLENE
 TOP TAPE:PET,PE,PEF
 REEL:POLYSTYREN(PS)
 <RECYCLE MATERIAL CONTAINED>

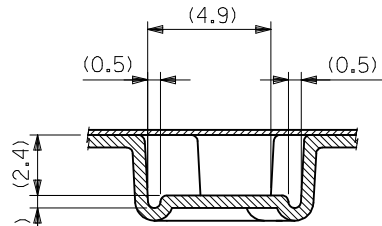
6. ELV及びRoHS適合品
 ELV AND RoHS COMPLIANT



RELEASED EC NO: J2013-1133 DRWN:KNAGUMO 2012/09/05 CHKD:KAKAHASHI 2012/09/06 APP:KMORIKAWA 2013/04/16	DESCRIPTION REV: 0	GENERAL TOLERANCES (UNLESS SPECIFIED)		DIMENSION STYLE MM ONLY		SCALE ---	DESIGN UNITS METRIC	THIRD ANGLE PROJECTION		
		10 UNDER	± ---	DRAWN BY KNAGUMO	DATE 2012/09/05	TITLE EMBOSS TAPE PACKAGED FOR 0.5MM FPC CONN ZIF R/A HOUSING ASSY molex				
		10 OVER 30 UNDER	± ---	CHECKED BY KAKAHASHI	DATE 2012/09/06					
		30 OVER	± ---	APPROVED BY KMORIKAWA	DATE 2013/04/16					
ANGULAR ± --- °		DRAFT WHERE APPLICABLE MUST REMAIN WITHIN DIMENSIONS		MATERIAL NO. SEE CHART		DOCUMENT NO. SD-52746-032		SHEET NO. 1 OF 3		
SIZE A3 THIS DRAWING CONTAINS INFORMATION THAT IS PROPRIETARY TO MOLEX INCORPORATED AND SHOULD NOT BE USED WITHOUT WRITTEN PERMISSION										



SECT.Y-Y

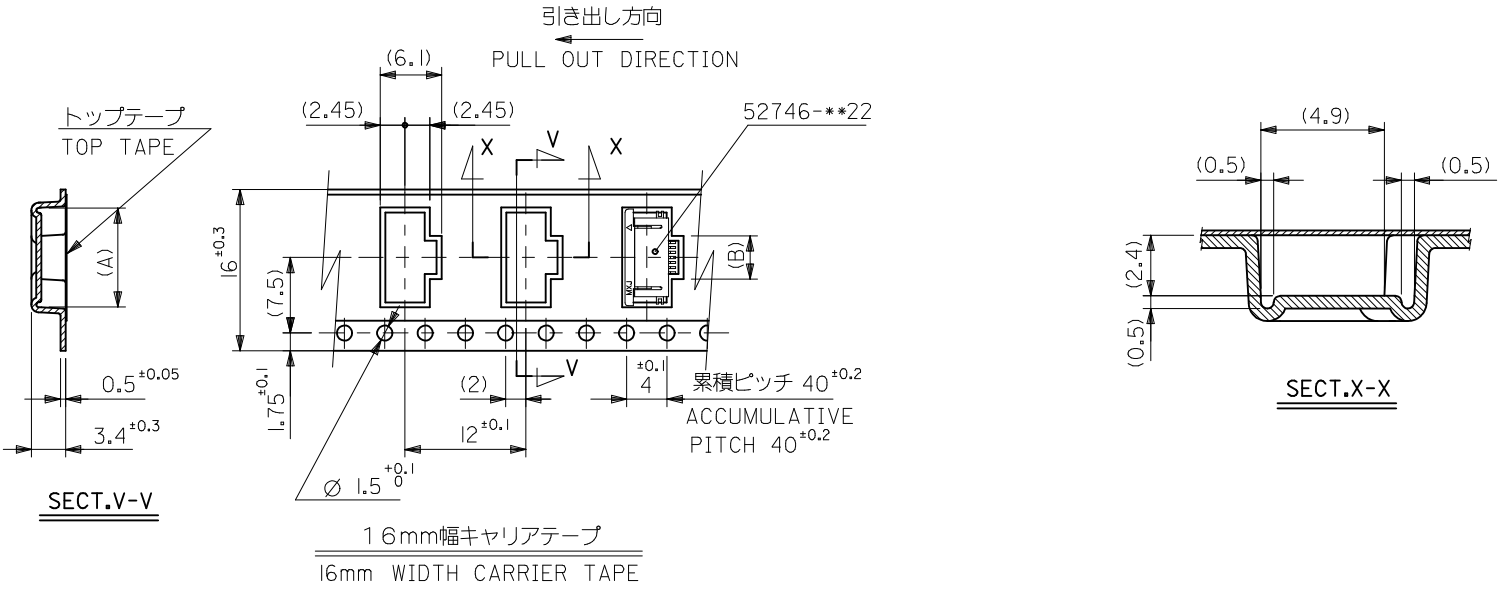


SECT.X-X

24	25.5	17.4	10.8	16.4	52746-2033	20
		16.9	10.3	15.9	-1933	19
		16.4	9.8	15.4	-1833	18
		15.9	9.3	14.9	-1733	17
		15.4	8.8	14.4	-1633	16
		14.9	8.3	13.9	-1533	15
		14.4	7.8	13.4	-1433	14
		13.9	7.3	12.9	-1333	13
		13.4	6.8	12.4	-1233	12
		12.9	6.3	11.9	-1133	11
		12.4	5.8	11.4	-1033	10
		11.9	5.3	10.9	-0933	9
		11.4	4.8	10.4	-0833	8
10.9	4.3	9.9	-0733	7		
10.4	3.8	9.4	52746-0633	6		
キャリアテープ幅 CARRIER TAPE WIDTH	D	(C)	(B)	(A)	MATERIAL NO.	極数 CIRCUIT

SEE SHEET 1 OF 3 EC NO.: J2013-1133 DRWN:KNAGUMO 2012/09/05 CHKD:KAKAHASHI 2012/09/06 APPR:KMORIKAWA 2013/04/16	GENERAL TOLERANCES (UNLESS SPECIFIED)	
	10 UNDER	± ---
	10 OVER 30 UNDER	± ---
	30 OVER	± ---
	ANGULAR	± --- °
0	DRAFT WHERE APPLICABLE MUST REMAIN WITHIN DIMENSIONS	

DIMENSION STYLE MM ONLY		SCALE ---	DESIGN UNITS METRIC	THIRD ANGLE PROJECTION
DRAWN BY KNAGUMO	DATE 2012/09/05	TITLE EMBOSS TAPE PACKAGED FOR 0.5MM FPC CONN ZIF R/A HOUSING ASSY		
CHECKED BY KAKAHASHI	DATE 2012/09/06	molex		
APPROVED BY KMORIKAWA	DATE 2013/04/16			
MATERIAL NO.	SEE CHART	DOCUMENT NO. SD-52746-032	SHEET NO. 2 OF 3	
THIS DRAWING CONTAINS INFORMATION THAT IS PROPRIETARY TO MOLEX INCORPORATED AND SHOULD NOT BE USED WITHOUT WRITTEN PERMISSION				



16	17.5	2.8	8.4	52746-0433	4
キャリアテープ幅 CARRIER TAPE WIDTH	D	(B)	(A)	MATERIAL NO.	極数 CIRCUIT

SEE SHEET 1 OF 3 EC NO.: J2013-1133 DRW:KNAGUMO 2012/09/05 CHK:D:KTAKAHASHI 2012/09/06 APPR:KMORIKAWA 2013/04/16	DESCRIPTION GENERAL TOLERANCES (UNLESS SPECIFIED) 10 UNDER ± --- 10 OVER 30 UNDER ± --- 30 OVER ± --- ANGULAR ± --- ° DRAFT WHERE APPLICABLE MUST REMAIN WITHIN DIMENSIONS	DIMENSION STYLE MM ONLY	SCALE ---	DESIGN UNITS METRIC	THIRD ANGLE PROJECTION	
		DRAWN BY KNAGUMO	DATE 2012/09/05	TITLE EMBOSS TAPE PACKAGED FOR 0.5MM FPC CONN ZIF R/A HOUSING ASSY		
		CHECKED BY KTAKAHASHI	DATE 2012/09/06	molex		
		APPROVED BY KMORIKAWA	DATE 2013/04/16	MATERIAL NO. SEE CHART	DOCUMENT NO. SD-52746-032	SHEET NO. 3 OF 3

THIS DRAWING CONTAINS INFORMATION THAT IS PROPRIETARY TO MOLEX INCORPORATED AND SHOULD NOT BE USED WITHOUT WRITTEN PERMISSION