

THE INFORMATION CONTAINED IN THIS DRAWING IS THE SOLE PROPERTY OF ANDERSON POWER PRODUCTS. ANY REPRODUCTION IN PART OR WHOLE WITHOUT THE WRITTEN PERMISSION OF ANDERSON POWER PRODUCTS IS PROHIBITED.

Copyright 2022

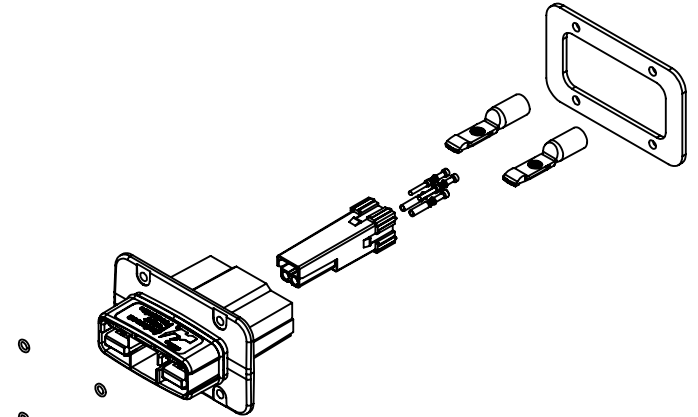
ANDERSON POWER PRODUCTS RESERVES THE RIGHT TO ALTER PRODUCT TYPES, THEIR TECHNICAL DATA, DIMENSION, STYLE AND ACCESSORIES WITHOUT PRIOR NOTIFICATION.

KIT PART NUMBER

KITS DESCRIPTION

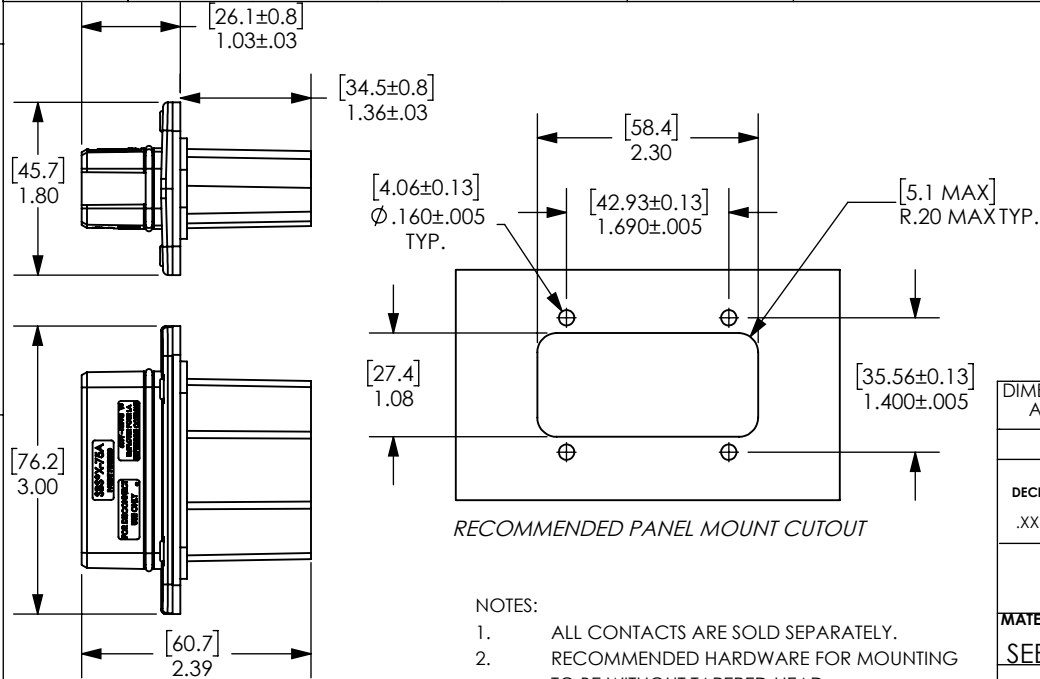
- SBSX75A-PMPLUG-KIT-RED
- SBSX75A-PMPLUG-KIT-BLU
- SBSX75A-PMPLUG-KIT-GRA
- SBSX75A-PMPLUG-KIT-BLK

CONNECTOR KITS CONTAINING THE CONNECTOR ASSEMBLY, SIGNAL HOLDER, PANEL GASKET AND O-RINGS FOR MOUNTING HARDWARE. KIT PART NUMBER IS UNIQUE TO THE COLOR OF THE SIGNAL HOUSING.

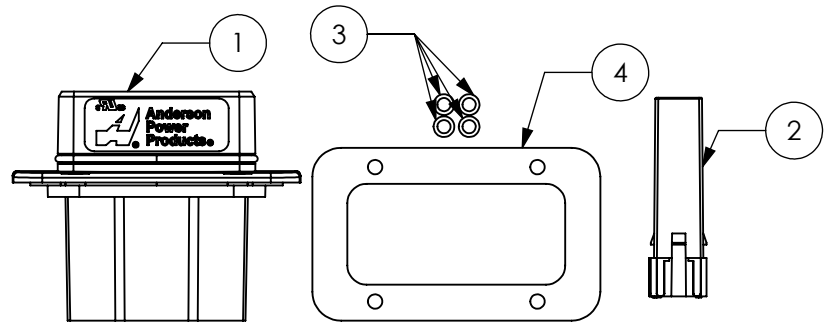


EXPLODED VIEW OF FULL ASSEMBLY
SCALE 1:3

ITEM NUMBER	COMPONENT PART NUMBER				MATERIAL	PART DESCRIPTION	QTY
1	SBSX75A-PMPLUG-BLK				PC/PBT	PANEL MOUNT PLUG HOUSING	1
2	2-8840P1	2-8840P2	2-8840P3	2-8840P4	PC	SIGNAL CONTACT HOUSING	1
COLOR	(RED)	(BLUE)	(GRAY)	(BLACK)	-	-	-
3	115233P14				SILICONE	HARDWARE O-RINGS	4
4	116008P1				NBR	PANEL MOUNT GASKET	1



- NOTES:
- ALL CONTACTS ARE SOLD SEPARATELY.
 - RECOMMENDED HARDWARE FOR MOUNTING TO BE WITHOUT TAPERED HEAD.



DIMENSIONS ARE IN:		INCH [MM]		APPROVALS		ANDERSON POWER PRODUCTS	
UNLESS OTHERWISE STATED							
TOLERANCES:				DRAWN	2/1/2022	TITLE SEALED SBS@X - 75A PLUG PANEL MOUNT CONNECTOR	
DECIMALS (INCH)		DECIMALS (MM)		CHECKED	3/11/2022		
.XX ±.02		.X ±.5		PM APPRV	3/22/2022		
SURFACE FINISH:				QC APPRV	3/25/2022	COA	PROD. LINE
MACHINED		128µin [3.2µ] ✓		UFN		3332	SBS@X-75A
MOLDED		64µin [1.6µ] ✓		ENG APPRV	3/11/2022	SIZE	DWG NO.
MATERIAL:				SH		A	115991S1
SEE TABLE				FINISH:		SCALE	CADFILE
3rd ANGLE PROJECTION				-CAD GENERATED DRAWING- DO NOT MANUALLY UPDATE DO NOT SCALE		NONE	05478
						SHEET	1 OF 1

REV.	DESCRIPTION	APPRV	DATE
REVISIONS			