



# User Guide

## EVB-ATEK816P5-02

---

Document Code : 023-107201  
Revision No : 04  
Revision Date : 09/09/2022

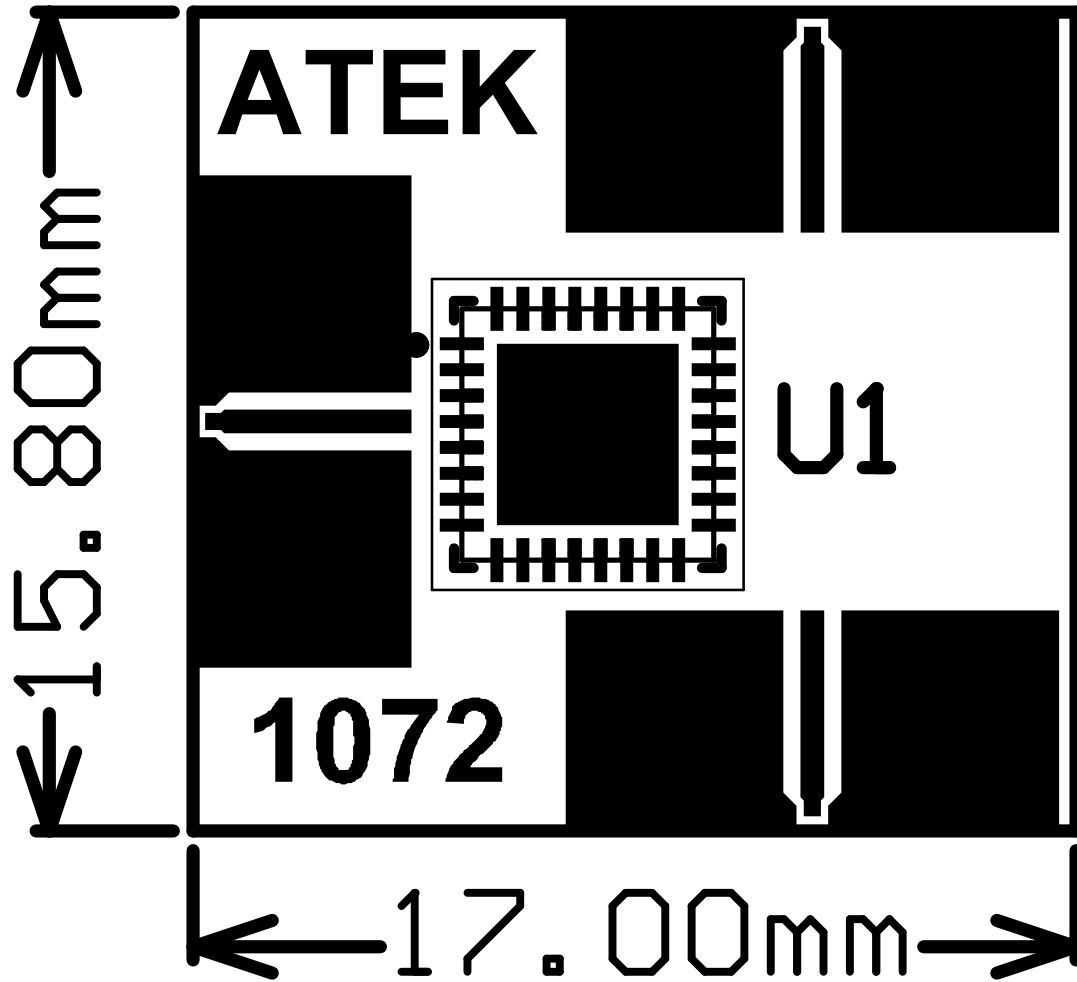
**Revisions**

Revision No	Revision Date	Revision Reason	Section / Page No
1.0	28.07.2021	Initial Release	
1.1	10.01.2022	Format and Content Fixed	
1.2	16.04.2022	Format and Content Fixed	
1.3	09.09.2022	Format and Content Fixed	

**INDEX**

<b>1</b>	<b>GENERAL INFORMATION .....</b>	<b>3</b>
<b>2</b>	<b>DESIGN INFORMATION .....</b>	<b>4</b>
<b>2.1</b>	<b>SCHEMATIC .....</b>	<b>4</b>
<b>2.2</b>	<b>BOM .....</b>	<b>4</b>
<b>3</b>	<b>TYPICAL PERFORMANCE PLOTS.....</b>	<b>5</b>

1 GENERAL INFORMATION

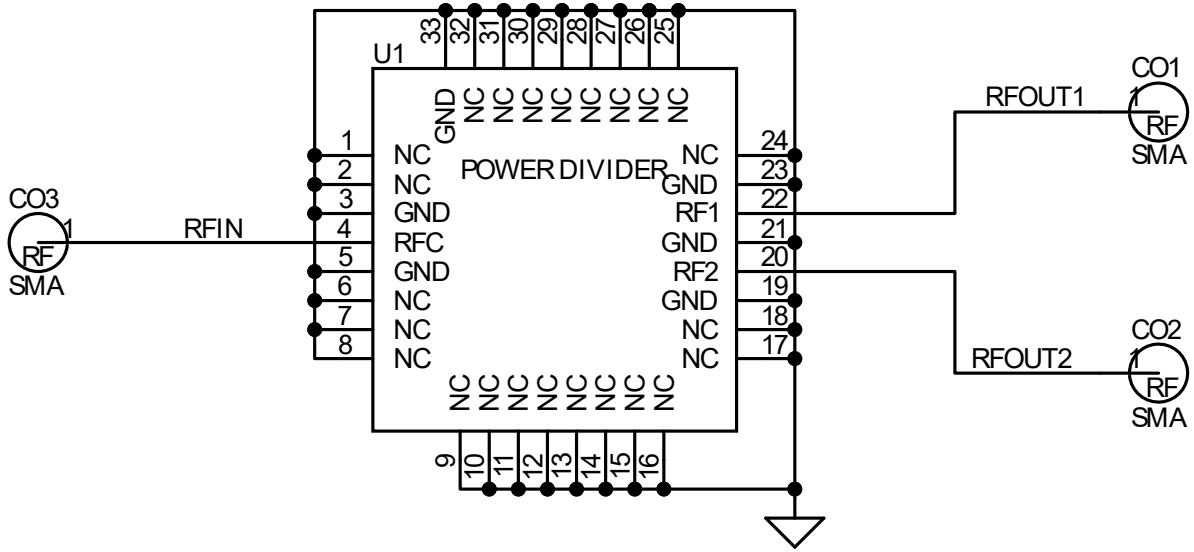


PIN Name	Definition	Comment
CO3	RF IN	K Connector
CO1, CO2	RF OUT	K Connector

Notes:

2 DESIGN INFORMATION

2.1 SCHEMATIC



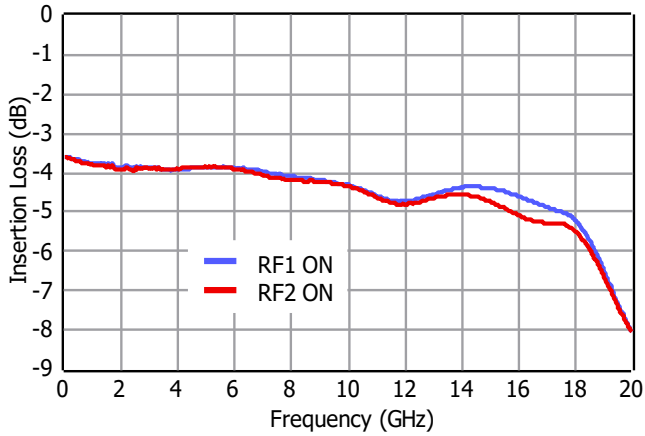
2.2 BOM

Designator	Footprint	Qty	Comment	PN
<b>CO1, CO2, CO3</b>	K Connector	3	K Connector	ATEK9292
<b>U1</b>	ATEKQ5532	1	Power Divider	ATEK816P5

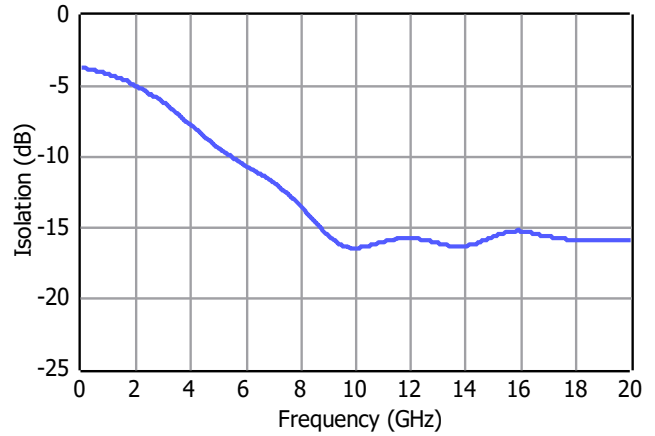
3 TYPICAL PERFORMANCE PLOTS

Conditions unless otherwise specified: Typical, T = 25 C, CW. For details, please refer to the datasheet.

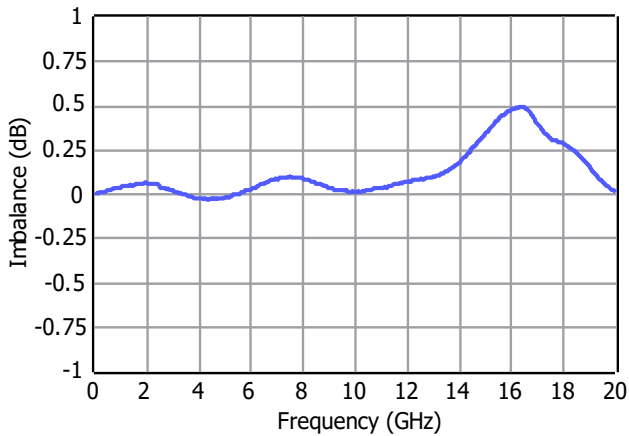
Insertion Loss



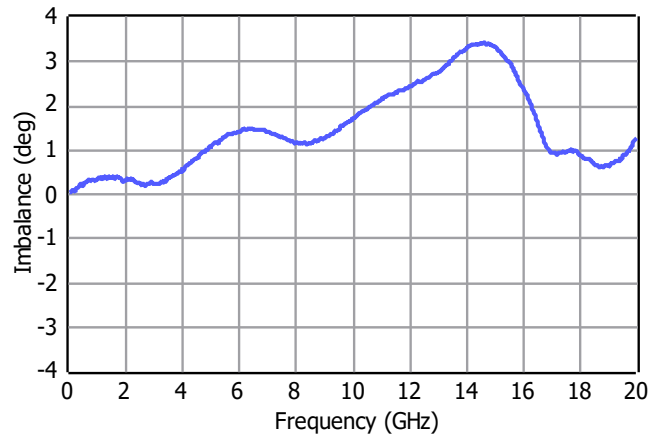
Isolation



Amplitude Imbalance



Phase Imbalance



Return Loss

