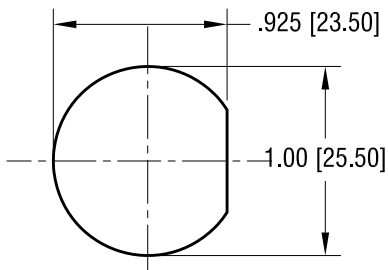
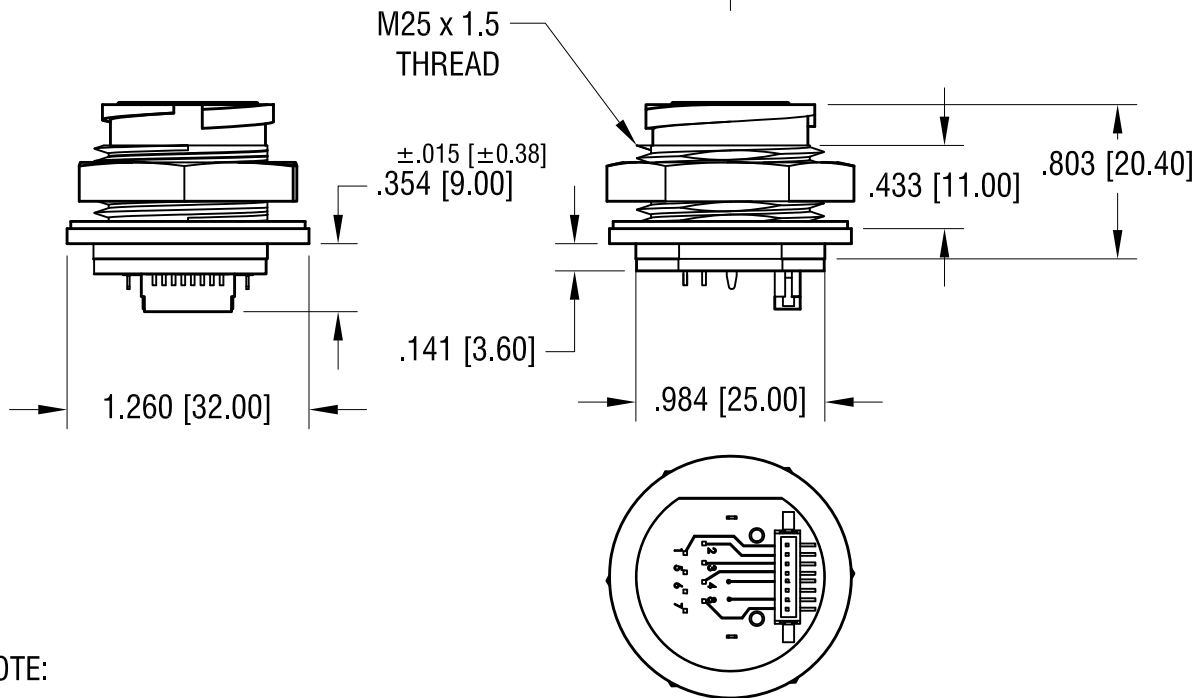
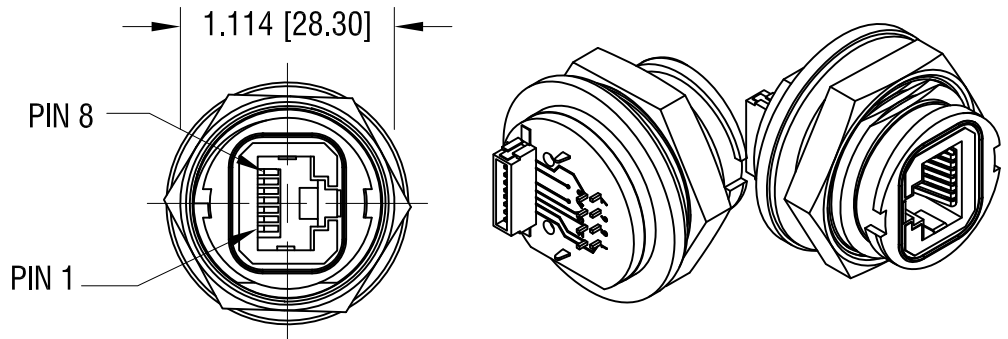


THIS DOCUMENT IS THE PROPERTY OF  
KEYSTONE ELECTRONICS CORP. AND  
SHALL NOT BE REPRODUCED, DISTRIBUTED  
OR USED AS A BASIS FOR MANUFACTURE  
WITHOUT PRIOR WRITTEN PERMISSION  
FROM KEYSTONE ELECTRONICS CORP.

**PANEL CUT**



**ACTUAL SIZE**



**NOTE:**

1. HOUSING: MAT'L- HIGH. TEMP.. THERMOPLASTIC  
UL 94V-0
2. CONTACT: MAT'L- PHOSPHOR BRONZE  
FINISH ON SOLDER AREA: TIN PLATE, OVER NICKEL  
FINISH ON CONTACT AREA: GOLD PLATE, OVER NICKEL
3. USE P/N 961H FOR 8 POSITION 6" LONG HEADER WIRE CABLE ASSEMBLY.

**KEYSTONE ELECTRONICS CORP.**

www.keyelco.com • NEW HYDE PARK, NY 11040 • Tel (516) 328-7500

PART NAME

OFF BOARD WATER PROOF KEYSTONE JACK

MATERIAL

AS NOTED

FINISH

AS NOTED

DRN BY

NT

DATE

4.04.16

APP'D

LN

SCALE

1X

TOLERANCES

INCH [MM]

DECIMAL ± .005 [± 0.13]

ANGULAR ± 1°

UNLESS OTHERWISE SPECIFIED

CODE

C

DWG NO.

961

DATE

DESCRIPTION

REV.