



LAYOUT SHOWN AS EXAMPLE

Keying Shown as example

**CHARACTERISTICS**

- Standard : Based on MIL-DTL-38999 Series III
- Shell Material : Aluminium
- Shell Plating : Nickel
- Insulator : Thermoplastic
- Contacts : Copper Alloy
- Seals & Grommet : Silicon Elastomer
- Contact Plating : Gold over copper Alloy 0.8µm minimum
- Durability : 500 Mating cycles
- Delivered without Souriau contacts
- Temperature Range : -65°C to +200°C
- Salt Spray : 48 hours
- Mass : 34.96 g ± 10%

| Connector dimension |                 |
|---------------------|-----------------|
| Dim                 | Nominal         |
| A                   | 44.5±0.3        |
| B                   | 30.15+0.1/-0.15 |
| R                   | 32.5Max         |
| S                   | 41.3±0.4        |
| W                   | 2.2+0.9/-0.1    |
| VV THREAD           | M25x1-6g        |

SOURIAU shall not be liable for any non-conformity or damage due to a use of the Products which does not comply with the Specifications issued by either of the Parties or by a third party (professional recommendation, technical notice.)

| Country | Jurisdiction & Control List |
|---------|-----------------------------|
| FR      | Not Listed                  |

**PN: 8D717F35PAL**

|              |            |                          |                         |
|--------------|------------|--------------------------|-------------------------|
| A            | 30-09-2016 | First Release            |                         |
| ISS          | DATE       | Latest modification - by | MOD N°                  |
| Designed By: |            | Date:                    | <b>CUSTOMER DRAWING</b> |

|              |                                |                                |                               |
|--------------|--------------------------------|--------------------------------|-------------------------------|
| <b>TITLE</b> | Aluminium Receptacle 8D series |                                |                               |
| SCALE        | NA                             | General linear Tolerances: ±-- | NPRDS / PROJECT<br><b>859</b> |

|                     |                                     |   |              |
|---------------------|-------------------------------------|---|--------------|
| <b>SOURIAU</b>      | <b>WWW.SOURIAU.COM</b>              | This document is the property of SOURIAU it must not be reproduced or communicated without permission |              |
| FORMAT<br><b>A3</b> | <b>SOURIAU DRG N° 8D717F35PAL-C</b> |   | SHEET<br>1/2 |

|               |                          |   |   |    |   |    |   |   |   |                                 |
|---------------|--------------------------|---|---|----|---|----|---|---|---|---------------------------------|
| BASIC SERIES: | 8D                       | 7 | - | 17 | F | 35 | P | A | L | Delivered W/O Contacts          |
| SHELL TYPE    | : Jam nut Receptacle     |   |   |    |   |    |   |   |   | ORIENTATION : A                 |
| CONTACT TYPE  | : Standard Crimp Contact |   |   |    |   |    |   |   |   | CONTACT TYPE : PIN(500 Matings) |
| SHELL SIZE    | : 17                     |   |   |    |   |    |   |   |   | CONTACT LAYOUT : 17-35          |
| PLATING       | : F = Nickel             |   |   |    |   |    |   |   |   |                                 |

H G F E D C B A

Contact Layout



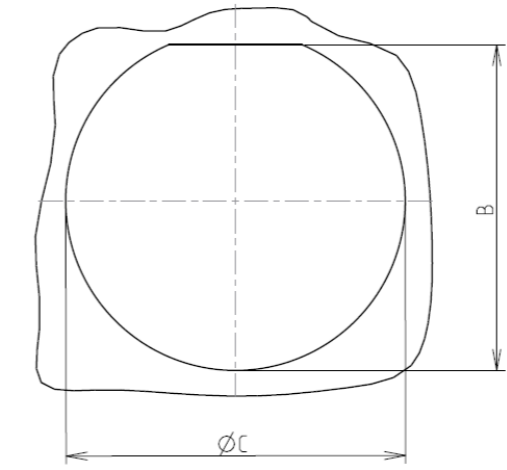
| Contacts<br>(Insert arrangement 17-35) |              |              |                     |             |              |
|--|--------------|--------------|---------------------|-------------|--------------|
| Contact position ID                    | Location     |              | Contact position ID | Location    |              |
|  | X-axis (mm)  | Y-axis (mm)  |                     | X-axis (mm) | Y-axis (mm)  |
| 1                                      | -312 (7.92)  | +086 (2.18)  | 29                  | .000 (0.00) | -.094 (2.39) |
| 2                                      | -312 (7.92)  | -.004 (0.10) | 30                  | .000 (0.00) | -.184 (4.67) |
| 3                                      | -312 (7.92)  | -.094 (2.39) | 31                  | .000 (0.00) | -.274 (6.96) |
| 4                                      | -.242 (6.15) | +221 (5.61)  | 32                  | +089 (2.26) | +316 (8.03)  |
| 5                                      | -.234 (5.94) | +131 (3.33)  | 33                  | +078 (1.98) | +221 (5.61)  |
| 6                                      | -.234 (5.94) | +041 (1.04)  | 34                  | +078 (1.98) | +131 (3.33)  |
| 7                                      | -.234 (5.94) | -.049 (1.24) | 35                  | +078 (1.98) | +041 (1.04)  |
| 8                                      | -.234 (5.94) | -.139 (3.53) | 36                  | +078 (1.98) | -.049 (1.24) |
| 9                                      | -.234 (5.94) | -.229 (5.82) | 37                  | +078 (1.98) | -.139 (3.53) |
| 10                                     | -.172 (4.37) | +279 (7.09)  | 38                  | +078 (1.98) | -.229 (5.82) |
| 11                                     | -.156 (3.96) | +176 (4.47)  | 39                  | +078 (1.98) | -.319 (8.10) |
| 12                                     | -.156 (3.96) | +086 (2.18)  | 40                  | +172 (4.37) | +279 (7.09)  |
| 13                                     | -.156 (3.96) | -.004 (0.10) | 41                  | +156 (3.96) | +176 (4.47)  |
| 14                                     | -.156 (3.96) | -.094 (2.39) | 42                  | +156 (3.96) | +086 (2.18)  |
| 15                                     | -.156 (3.96) | -.184 (4.67) | 43                  | +156 (3.96) | -.004 (0.10) |
| 16                                     | -.156 (3.96) | -.274 (6.96) | 44                  | +156 (3.96) | -.094 (2.39) |
| 17                                     | -.089 (2.26) | +316 (8.03)  | 45                  | +156 (3.96) | -.184 (4.67) |
| 18                                     | -.078 (1.98) | +221 (5.61)  | 46                  | +156 (3.96) | -.274 (6.96) |

| Contacts<br>(Insert arrangement 17-35) |              |              |                     |             |              |
|--|--------------|--------------|---------------------|-------------|--------------|
| Contact position ID                    | Location     |              | Contact position ID | Location    |              |
|  | X-axis (mm)  | Y-axis (mm)  |                     | X-axis (mm) | Y-axis (mm)  |
| 19                                     | -.078 (1.98) | +131 (3.33)  | 47                  | +242 (6.15) | +221 (5.61)  |
| 20                                     | -.078 (1.98) | +041 (1.04)  | 48                  | +234 (5.94) | +131 (3.33)  |
| 21                                     | -.078 (1.98) | -.049 (1.24) | 49                  | +234 (5.94) | +041 (1.04)  |
| 22                                     | -.078 (1.98) | -.139 (3.53) | 50                  | +234 (5.94) | -.049 (1.24) |
| 23                                     | -.078 (1.98) | -.229 (5.82) | 51                  | +234 (5.94) | -.139 (3.53) |
| 24                                     | -.078 (1.98) | -.319 (8.10) | 52                  | +234 (5.94) | -.229 (5.82) |
| 25                                     | .000 (0.00)  | +329 (8.36)  | 53                  | +312 (7.92) | +086 (2.18)  |
| 26                                     | .000 (0.00)  | +176 (4.47)  | 54                  | +312 (7.92) | -.004 (0.10) |
| 27                                     | .000 (0.00)  | +086 (2.18)  | 55                  | +312 (7.92) | -.094 (2.39) |
| 28                                     | .000 (0.00)  | -.004 (0.10) | ---                 | ---         | ---          |

| Shell size | Arrangement no. | Number of contacts | Size contacts | Service rating | Contact location | Supersedes |
|------------|-----------------|--------------------|---------------|----------------|------------------|------------|
| 17         | -35             | 55                 | 22D           | M              | All              | MS27529-35 |

Panel cutout

JAM NUT RECEPTACLE (TYPE 7)



| Dim | Nominal       |
|-----|---------------|
| B   | 30.73+0/-0.25 |
| ØC  | 32.01+0.25/-0 |

SOURIAU shall not be liable for any non-conformity or damage due to a use of the Products which does not comply with the Specifications issued by either of the Parties or by a third party (professional recommendation, technical notice.)

| Country | Jurisdiction & Control List |
|---------|-----------------------------|
| FR      | Not Listed                  |

**PN: 8D717F35PAL**

|                     |                                     |                                |   |
|---------------------|-------------------------------------|--------------------------------|---|
| A                   | 30-09-2016                          | First Release                  |   |
| ISS                 | DATE                                | Latest modification - by       | MOD N°  |
| Designed By:        |                                     | Date:                          | <b>CUSTOMER DRAWING</b>   |
| <b>TITLE</b>        | Aluminium Receptacle 8D series      |                                |   |
| SCALE               |                                     | General linear Tolerances: ±-- | NPRDS / PROJECT<br><b>859</b>   |
| <b>SOURIAU</b>      | <b>WWW.SOURIAU.COM</b>              |                                | This document is the property of SOURIAU it must not be reproduced or communicated without permission |
| FORMAT<br><b>A3</b> | <b>SOURIAU DRG N° 8D717F35PAL-C</b> |                                | SHEET<br>2/2  |

H G F E D C B A