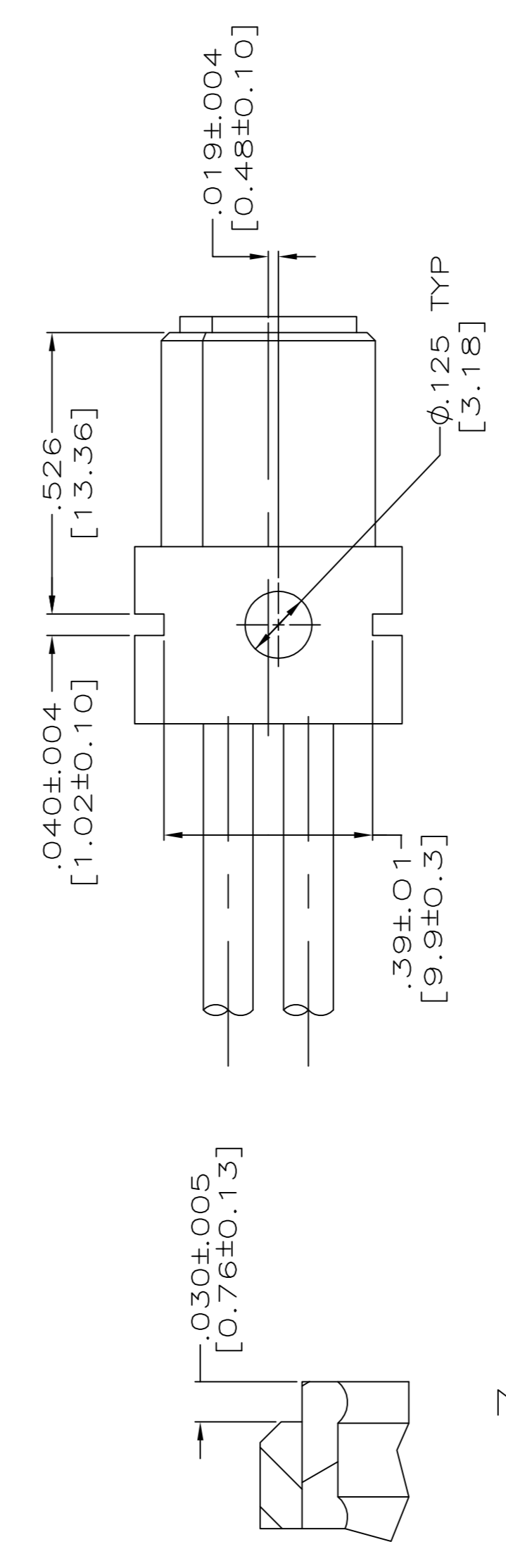
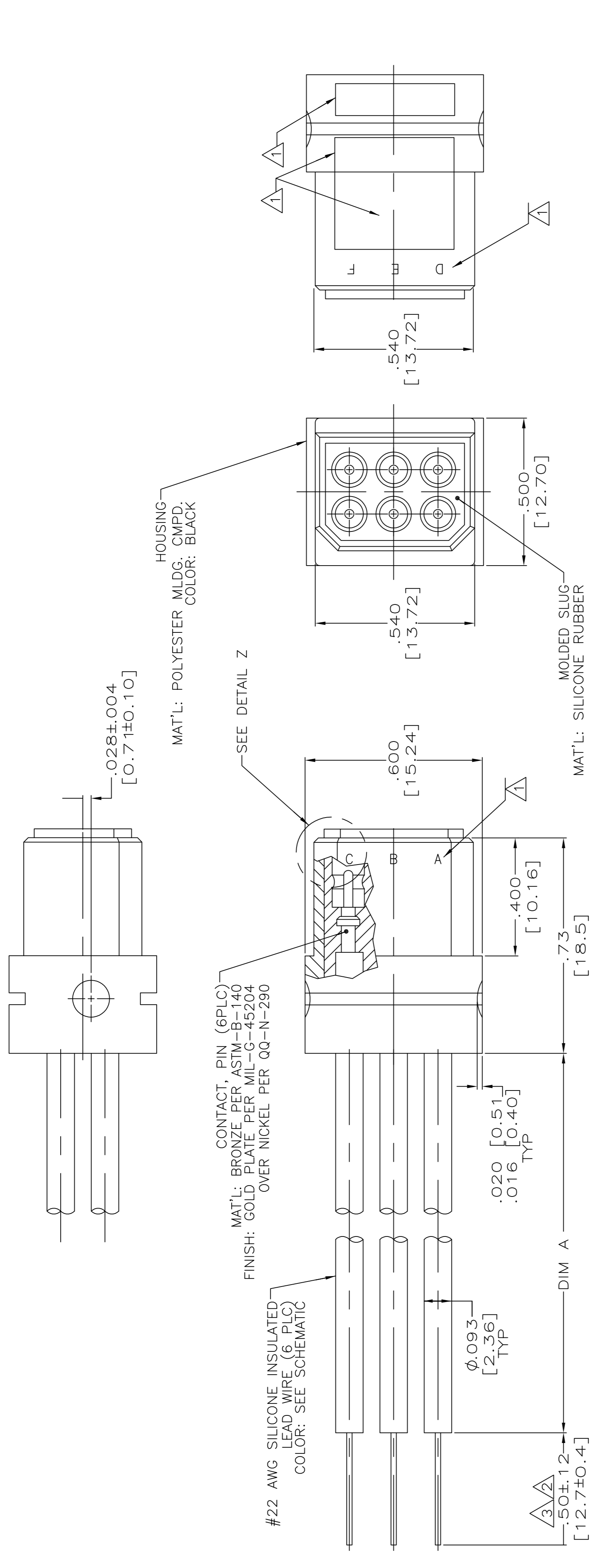


REV	DATE	DESCRIPTION
H	29MAR06	REV PER ECO 06-006193
J	22JUL14	REVISED PER ECO-14-008032

DF	SO
----	----

LOC	DF	SO
-----	----	----

P	U/R	DATE	DMN	AMP
H		29MAR06	PY	DE
J		22JUL14	MGM	CT



A	YELLOW
B	RED
C	BROWN
D	BLUE
E	GREEN
F	BLACK

SCHEMATIC

- 1 AMP INFORMATION MARKED PER MIL-STD-130.
- 2 PIGTAILS ARE SOLDER-DIPPED.
- 3 INSULATION CUT, BUT NOT REMOVED.

3	15.00±.50 [381.0±12.7]	5-867622-1
2	24.00±.50 [609.6±12.7]	867622-2
2	15.00±.50 [381.0±12.7]	867622-1
REMARKS	DIM A	PART NUMBER
		TE Connectivity
PLUG ASSY WITH FLYING LEADS:6 POSN.,LCH		
DRAWING NO. A100779		867622
SCALE 4:1		SHEET 1 OF 1
REV 1		J

THIS DRAWING IS A CONTROLLED DOCUMENT.	
DATE	12-1-92
BY	C.C. THOMAS
APPROVED	D. LEAHY
NAME	
PRODUCT SPEC	
APPLICATION SPEC	
SIZE	A1 00779
WEIGHT	
FINISH	
SEE CALLOUTS	
CUSTOMER DRAWING	