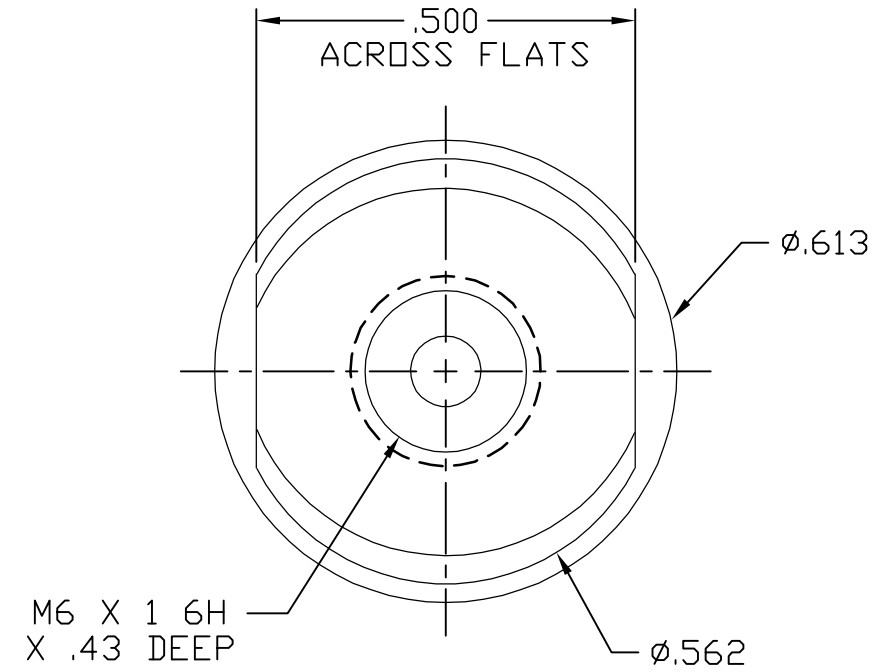
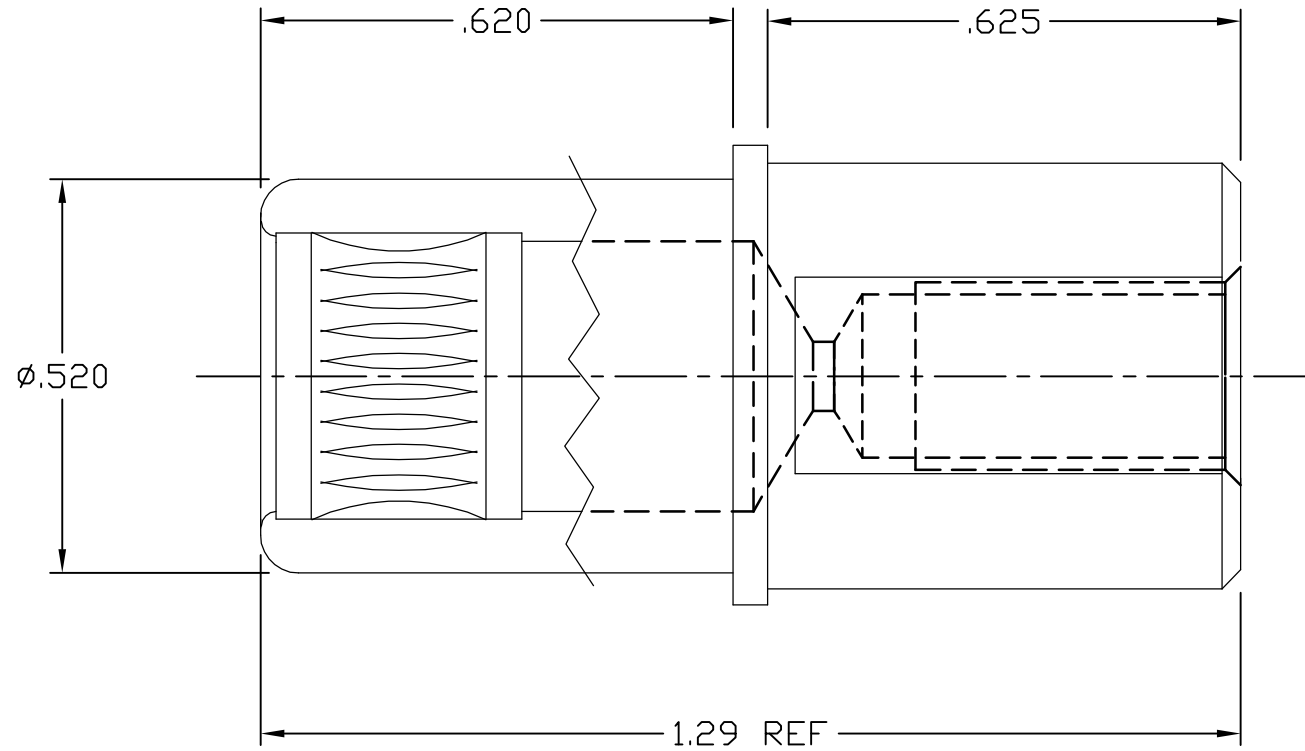


This drawing involves proprietary design rights of Tyco Electronics Corporation, and all design, manufacture, reproduction, use and sale rights regarding the same are expressly reserved. It is submitted for a specific purpose and the recipient by accepting this drawing, assumes custody and control and agrees to take reasonable precautions; (a) that this drawing will not be copied and reproduced, in whole or in part, or its contents revealed in any manner, or to any person except to meet the purpose for which it was delivered and (b) that any special features peculiar to this design will not be incorporated in other projects without the expressed written permission of Tyco Electronics Corporation.

REVISIONS			
EC	REV	DESCRIPTION	DATE
CPR	A	NEW RELEASE	3/31/06



4. ELCON EQUIVALENT SERIES 712-50-01107.

3. FINISHES:

SOCKET CONTACT: SILVER PLATE, .000200 MIN THICK
OVER NICKEL, .000040 MIN THICK

CROWN BAND: GOLD PLATE, .000030 MIN THICK
OVER NICKEL, .000040 MIN THICK

2. MATERIAL:

SOCKET CONTACT: COPPER ALLOY.
CROWN BAND: BERYLLIUM COPPER.

1. PART NUMBER CHANGES AND OR DESIGN CHANGES AFFECTING
ITEM INTERCHANGEABILITY REQUIRE PRIOR TYCO APPROVAL
AND AUTHORIZATION BY REVISION TO THIS DRAWING.

6648428-1

TYCO PART NUMBER

<p>THIRD ANGLE PROJECTION</p> <p>UNLESS OTHERWISE SPECIFIED DIMENSIONS ARE IN INCHES (METRIC)</p> <p>TOLERANCES</p> <p>ANGLES ± .5°</p> <p>DECIMALS</p> <p>.XXX ± .010 (.25)</p> <p>.XX ± .02 (.3)</p>	DRAWN	DATE	Tyco Electronics Corporation Menlo Park, Ca 94025
	R. F. A.	3/31/06	
	CHECKED		
	APPROVED		
	APPROVED		TITLE
	S. FLICKINGER		CONTACT, SOCKET, SIZE #0 METRIC INTERNAL THREAD DRAWERS
	DCA APPROVED		SIZE DWG NUMBER
			B C-6648428
	ACAD FILE NUMBER	C6648428A.DWG	REV.
			A
		DWG SCALE 4=1	SH 1 OF 1