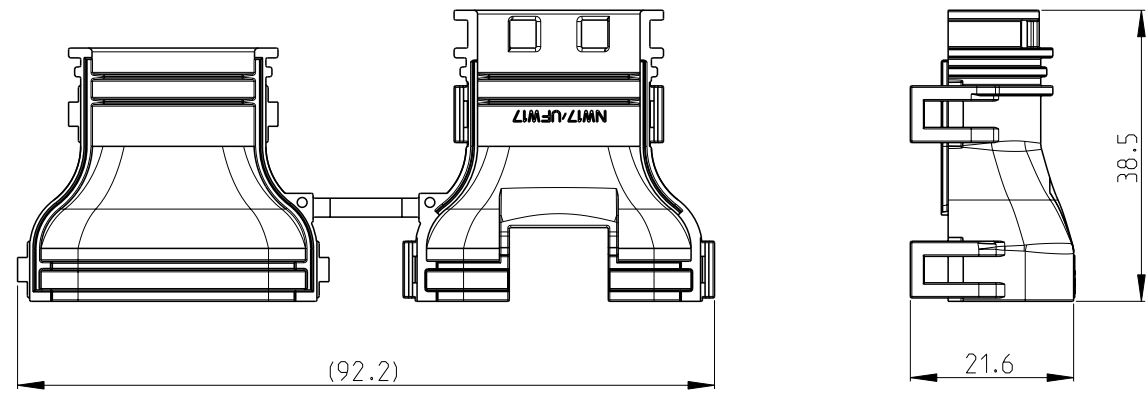
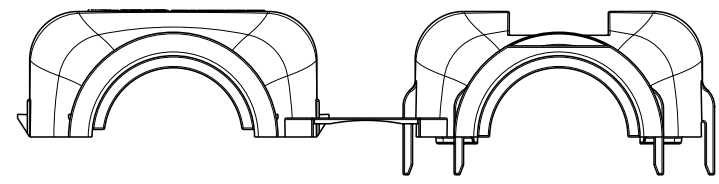


REVISIONS

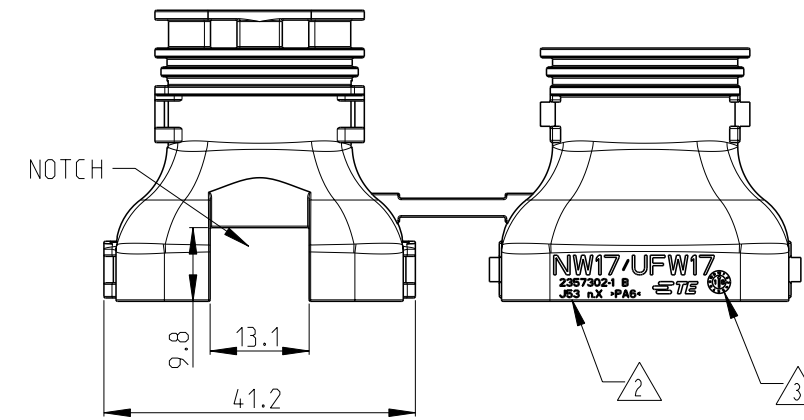
P	LTR	DESCRIPTION	DATE	DWN	APVD
A		INITIAL RELEASE	08JUL2019	V.T	I.Y
B		ECR-20-002162	14FEB2020	V.T	E.J
B1		ECR-20-003434	07MAR2020	V.T	E.J
B2		ECR-20-010594	28JUL2020	V.T	E.J

NOTES:

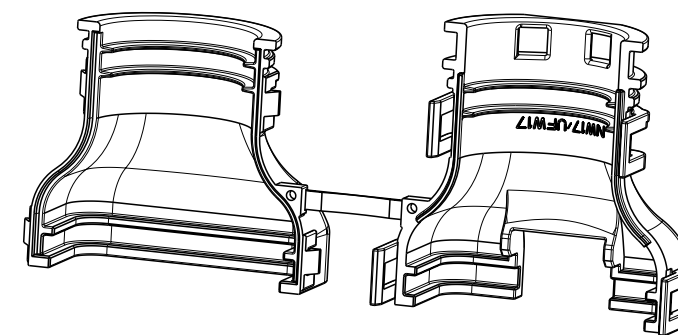
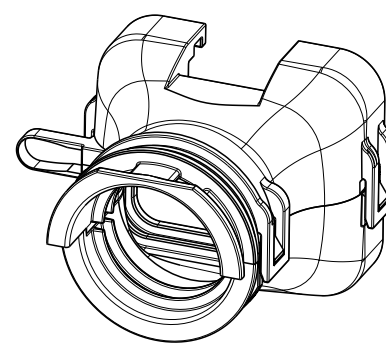
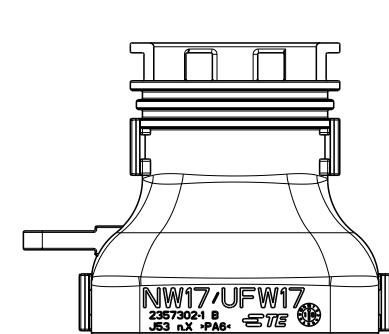
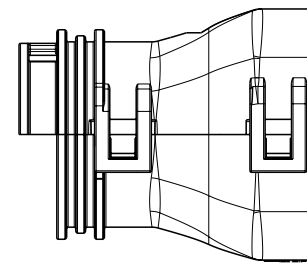
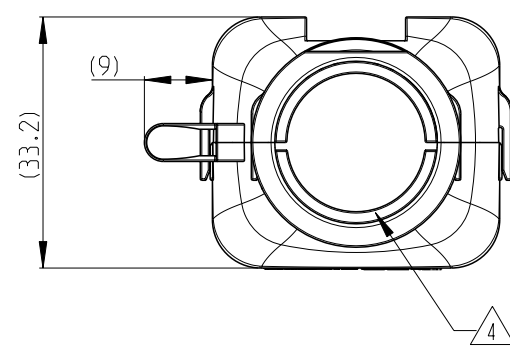
- MATERIAL: PA6 COLOUR:BLACK.
- MANUFACTURING LOCATION.
- DATE CODE.
- P/N:2357302-1 AND P/N:2357302-2 FOR CORRUGATED TUBE: NW 17&UFW 17. OR NW 16 IF CONFIRMED.
- P/N:2357302-1 WITH NOTCH USED ON PLUG P/N:2350890-1/2/3/4 ONLY. P/N:2357302-2 WITHOUT NOTCH FOR OTHERS.



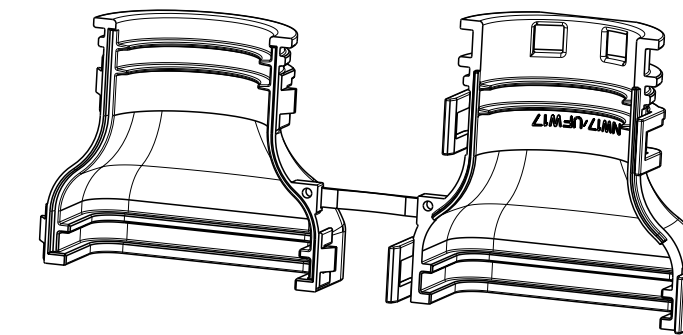
(P/N:2357302-1 AS SHOWN)



CLOSED (MOUNTED) CONDITION 2357302-1 AS SHOWN



(P/N:2357302-1 AS SHOWN)



(P/N:2357302-2 AS SHOWN)

2357302-2	WITHOUT NOTCH
2357302-1	WITH NOTCH
PART NO.	REMARK

THIS DRAWING IS A CONTROLLED DOCUMENT.		DWN V. TANG	23JUN2019	TE Connectivity	NAME 180 DEGREE BACKSHELL NTS 20P SERIES
DIMENSIONS: mm		CHK E. JIANG	23JUN2019		
TOLERANCES UNLESS OTHERWISE SPECIFIED: 0 PLC ±0.30 1 PLC ±0.25 2 PLC ±0.15 3 PLC ± 4 PLC ± ANGLES ±2° FINISH -		APVD I. YIN	23JUN2019		
MATERIAL SEE NOTES		PRODUCT SPEC 108-32297		SIZE A2	CAGE CODE 00779
		APPLICATION SPEC -		DRAWING NO C-2357302	RESTRICTED TO
		WEIGHT -		SCALE 1:1	SHEET 1 OF 1
		CUSTOMER DRAWING		REV B2	