

THIS DRAWING IS UNPUBLISHED.

RELEASED FOR PUBLICATION

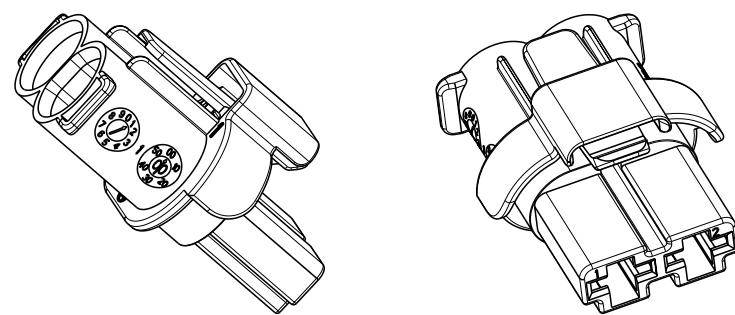
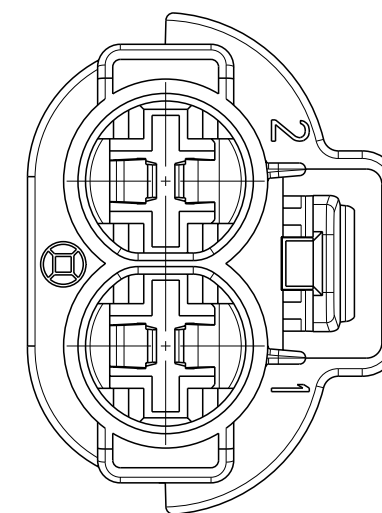
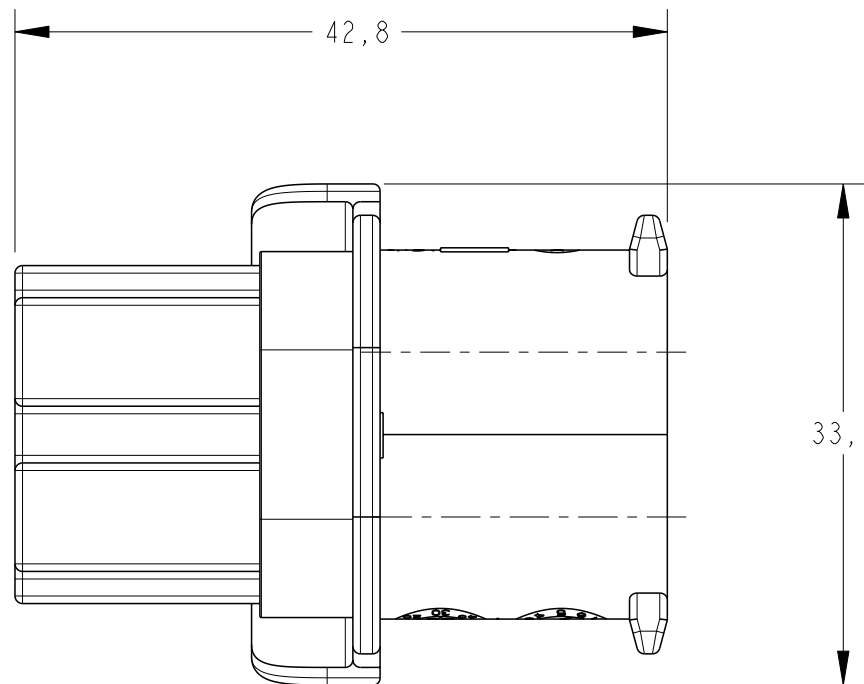
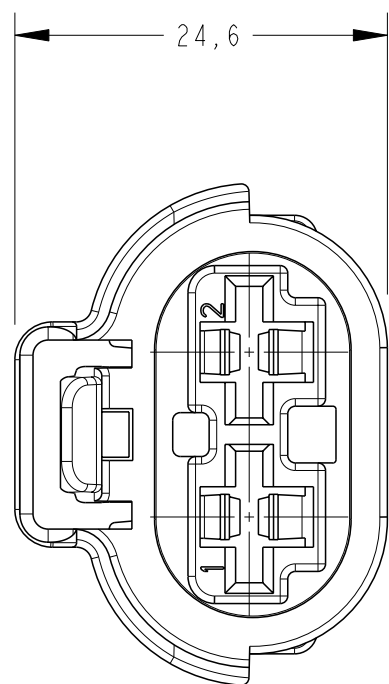
© COPYRIGHT -

ALL RIGHTS RESERVED.

LOC AP DIST -

REVISIONS

P	LTR	DESCRIPTION	DATE	DWN	APVD
	A	CHANGE STATUS ECO-11-019993	030CT2011	NCL	GO



PERSPECTIVE VIEW  
SCALE 1:1

GREY/CINZA	PBT	1989895-1
FINISH	MATERIAL	PART NUMBER

THIS DRAWING IS A CONTROLLED DOCUMENT.		DWN R.K.T.S. LEME 27AUG2009	<b>TE Connectivity</b>	
DIMENSIONS: mm		CHK E. LOPES 27AUG2009		
TOLERANCES UNLESS OTHERWISE SPECIFIED:		APVD D.A. OLIVEIRA 27AUG2009		
0 PLC ±- 1 PLC ±0,4 2 PLC ±- 3 PLC ±- 4 PLC ±- ANGLES ±- FINISH SEE TABLE		NAME -		
MATERIAL SEE TABLE		PRODUCT SPEC -	HOUSING, 2P REC. NG2-8mm	
		APPLICATION SPEC -	SIZE A3	CAGE CODE 00779
		WEIGHT -	DRAWING NO C-1989895	RESTRICTED TO -
		CUSTOMER DRAWING	SCALE 2:1	SHEET 1 OF 1 REV A