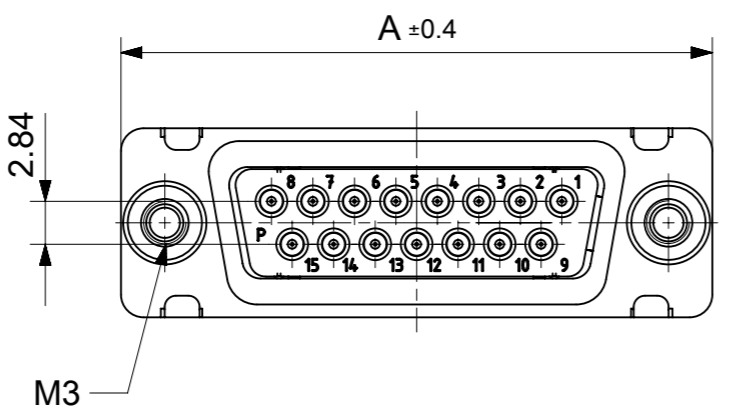
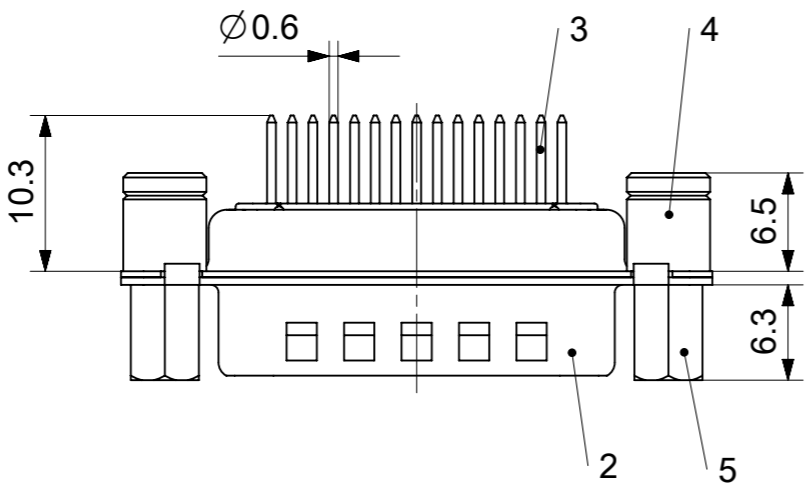
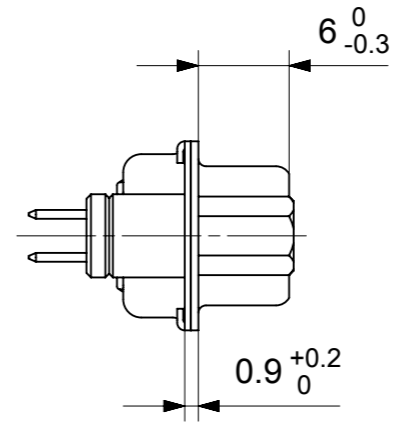
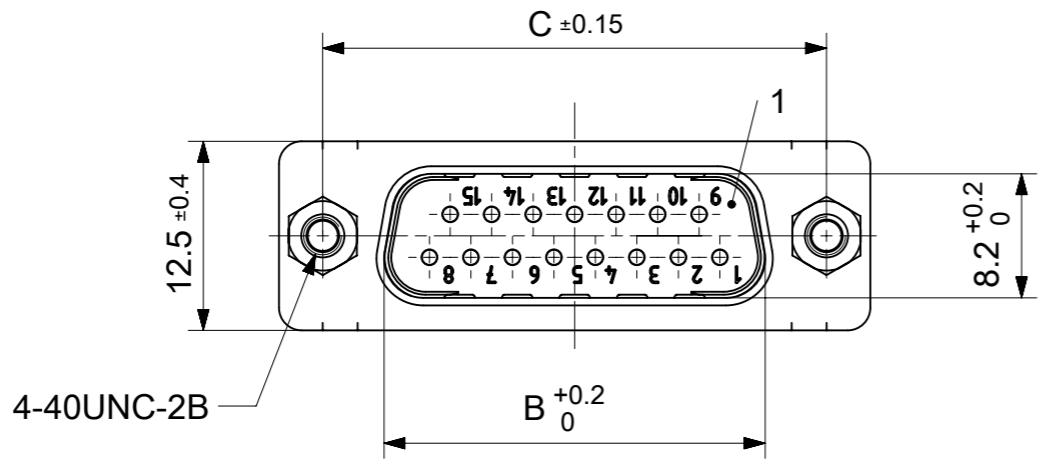


RoHS compliant  
by exemption



FCT Part number:  
FMxx\*1)P1-1485  
e.g. FM15P1-1485

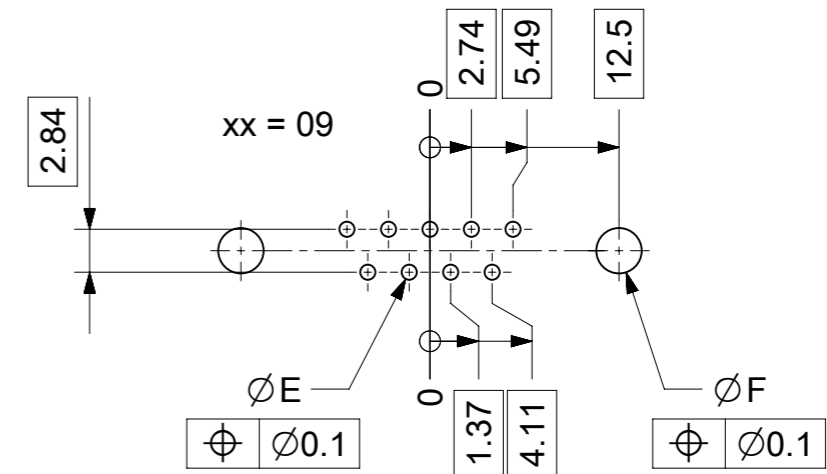
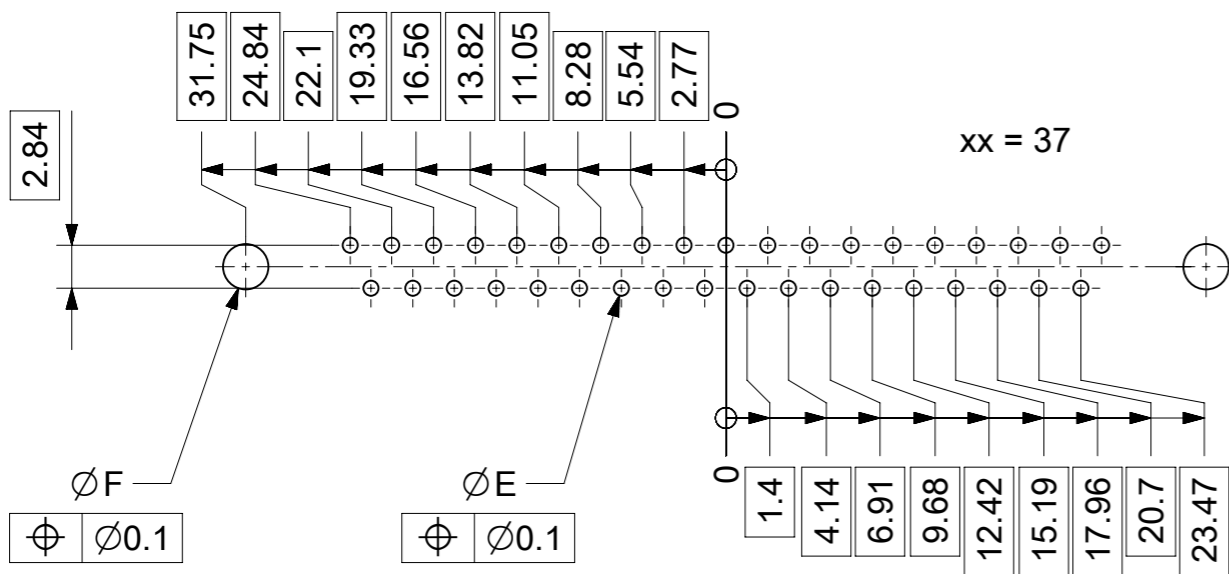
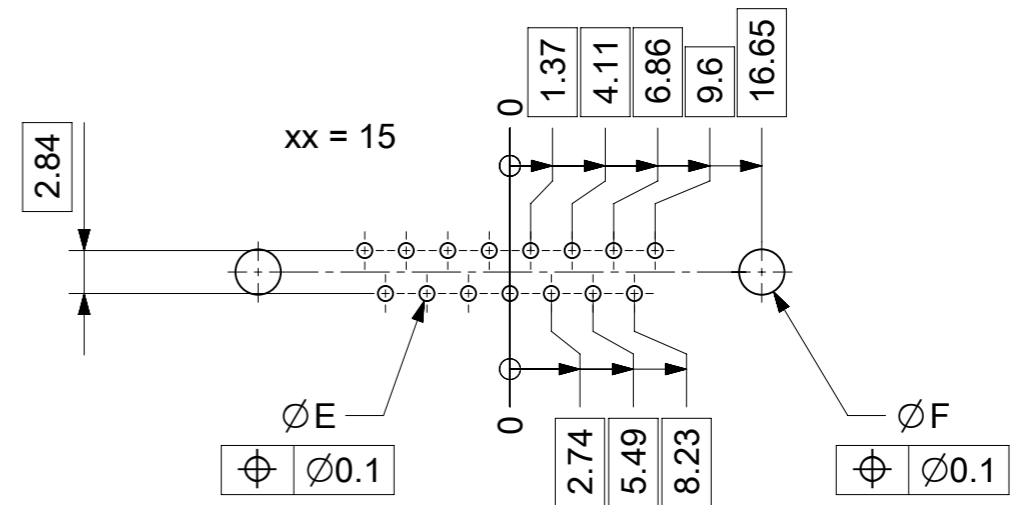
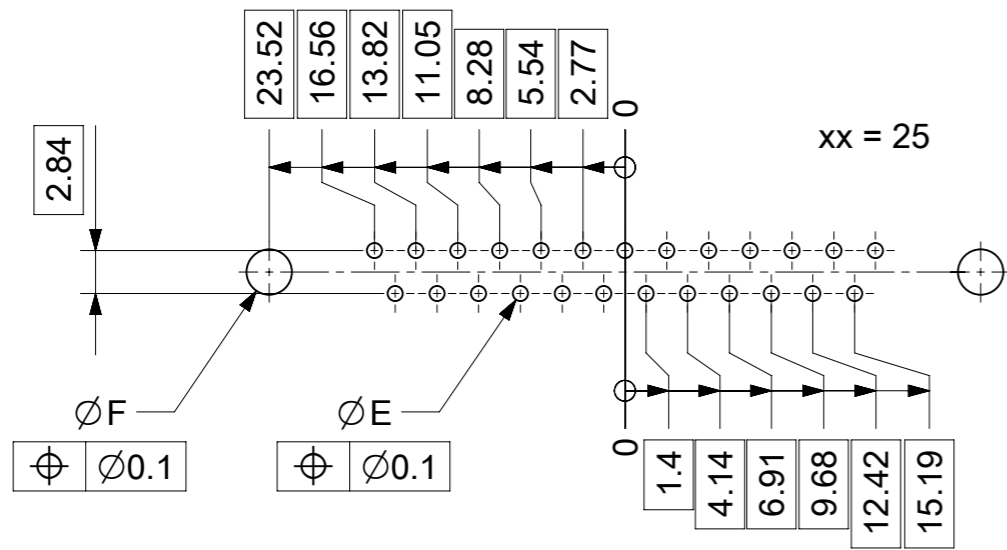
\*1) xx No. of contacts 09, 15, 25 or 37

Material Number	xx*1)	A[mm]	B[mm]	C[mm]	*E[mm]
1731091696	09	30.8	16.9	25	Ø1
-	15	39.1	25.2	33.3	
1731091739	25	53	38.9	47.04	
-	37	69.3	55.3	63.5	

\*PCB hole patterns ØE see document 2195600023

No.	Pc.	Part	Type Description/Material	Surface plating/Color/Class
5	2	Threaded spacer	4-40 / Steel	tin plated
4	2	Threaded spacer	M3 / Steel	tin plated
3	xx	Signal contact	P1 / Brass	1.3µm Au
2	1	Shell	Steel	tin plated
1	1	Insulator	PBT (-55°C to +130°C) acc. UL94V-0	green

MEASUREMENTS WITHOUT TOLERANCE ACC TO ISO 2768-m			REPLACEMENT FOR DOCUMENT NUMBER: FMxxP1-1485		
FUNCTIONAL SYMBOLS					
THIS DRAWING CONTAINS INFORMATION THAT IS PROPRIETARY TO MOLEX ELECTRONIC TECHNOLOGIES, LLC AND SHOULD NOT BE USED WITHOUT WRITTEN PERMISSION	CURRENT REV DESC:		<b>molex</b>		
GENERAL TOLERANCES (UNLESS SPECIFIED)	EC NO: 706086				
ANGULAR TOL ± °	DRWN: SKANDB 2021/12/27		FCT D-SUB MINIATURE CONNECTOR		
4 PLACES ±	CHK'D: MTEUBEL 2022/05/11				
DIVISIONAL SYMBOLS			PRODUCT CUSTOMER DRAWING		
3 PLACES ±	APPR: MTEUBEL 2022/05/11		DOCUMENT NUMBER		
2 PLACES ±	INITIAL REVISION:		1731091696		
1 PLACE ±	DRWN: SKANDB 2021/12/27		DOC TYPE		
0 PLACES ±	APPR: MTEUBEL 2022/05/11		PSD		
DRAFT WHERE APPLICABLE MUST REMAIN WITHIN DIMENSIONS		FIRST ANGLE PROJECTION	DRAWING	SERIES	MATERIAL NUMBER
			A3-SIZE	173109	SEE TABLE
			CUSTOMER		GENERAL MARKET
					SHEET NUMBER
					1 OF 1



ØE, ØF see data sheet incl. connector  
 ØF connectors with accessories only

MEASUREMENTS WITHOUT TOLERANCE ACC TO ISO 2768-m			REPLACEMENT FOR DOCUMENT NUMBER: AM0023						
THIS DRAWING CONTAINS INFORMATION THAT IS PROPRIETARY TO MOLEX ELECTRONIC TECHNOLOGIES, LLC AND SHOULD NOT BE USED WITHOUT WRITTEN PERMISSION									
FUNCTIONAL SYMBOLS	DIMENSION UNITS	SCALE	CURRENT REV DESC:						
FA = 0	mm	2:1	EC NO: 713905						
FE = 0	GENERAL TOLERANCES (UNLESS SPECIFIED)		DRWN: SKANDB 2022/05/16						
FP = 0	ANGULAR TOL ± °		CHK'D: MTEUBEL 2022/07/12						
DIVISIONAL SYMBOLS	4 PLACES ±		APPR: MTEUBEL 2022/07/12						
	3 PLACES ±		INITIAL REVISION:						
	2 PLACES ±		DRWN: SKANDB 2022/05/16						
	1 PLACE ±		APPR: MTEUBEL 2022/07/12						
	0 PLACES ±		DOCUMENT NUMBER: 2195600023						
DRAFT WHERE APPLICABLE MUST REMAIN WITHIN DIMENSIONS		FIRST ANGLE PROJECTION	DRAWING	SERIES	MATERIAL NUMBER	CUSTOMER	DOC TYPE	DOC PART	REVISION
			A3-SIZE	219560	219560	GENERAL MARKET	PSD	000	A
DOCUMENT STATUS		P1	RELEASE DATE	2022/07/12	08:25:55				
SHEET NUMBER		1 OF 1							