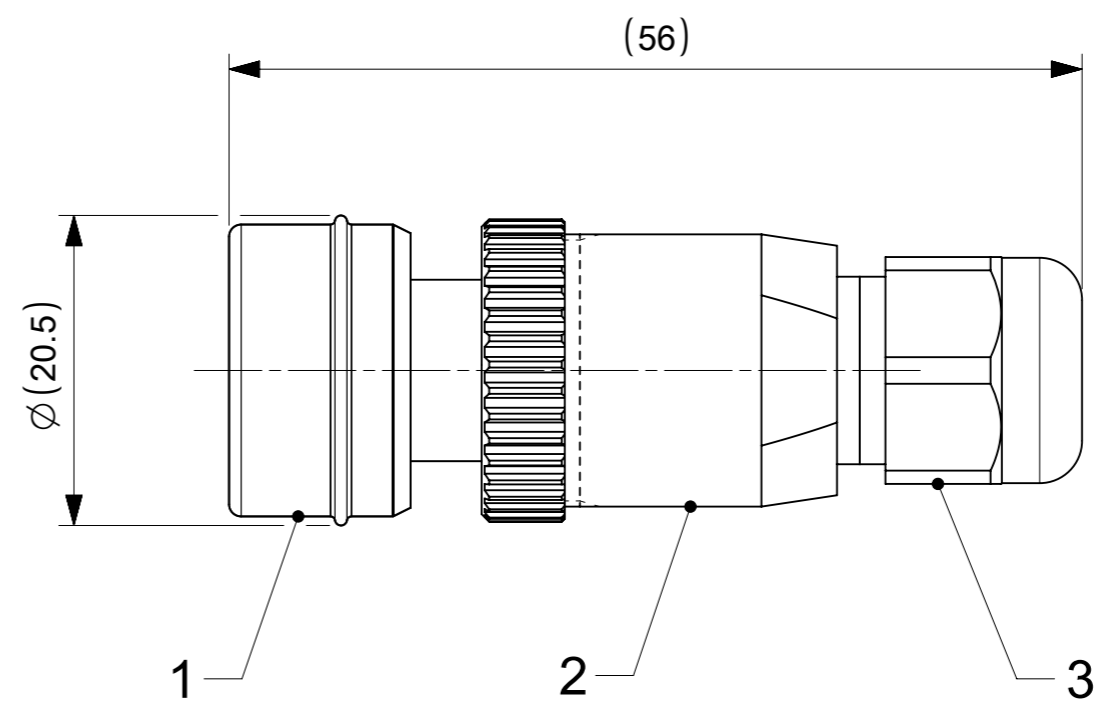
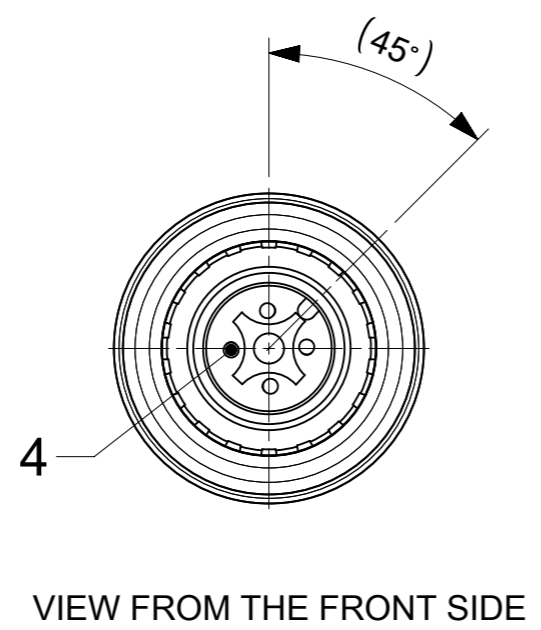


SCALE 1:1

NOTES :

VOLTAGE RATING : 4POLE - 250V AC/DC
5POLE - 30V AC / 36V DC
CURRENT RATING : 4AMPS
IP RATING : IP67/68/69K
OPERATING TEMPERATURE : -25°C TO +90°C



BOM

ITEM	QTY.	DESCRIPTION	MATERIAL	COLOR/FINISH
1	1	ULTRALOCK ASSEMBLY 4P/5P	-	-
2	1	M12 PG7 STRAIGHT ENDSLEEVE	PA	BLACK
3	1	M12 PG7 NUT	PA	BLACK
4	4/5	MALE CONTACT	BRASS	Ni-PLATED

PART LIST

MOLEX P/N	ENG No.	POLES
1200850003	WA4006-31	4
1200850004	WA5006-31	5

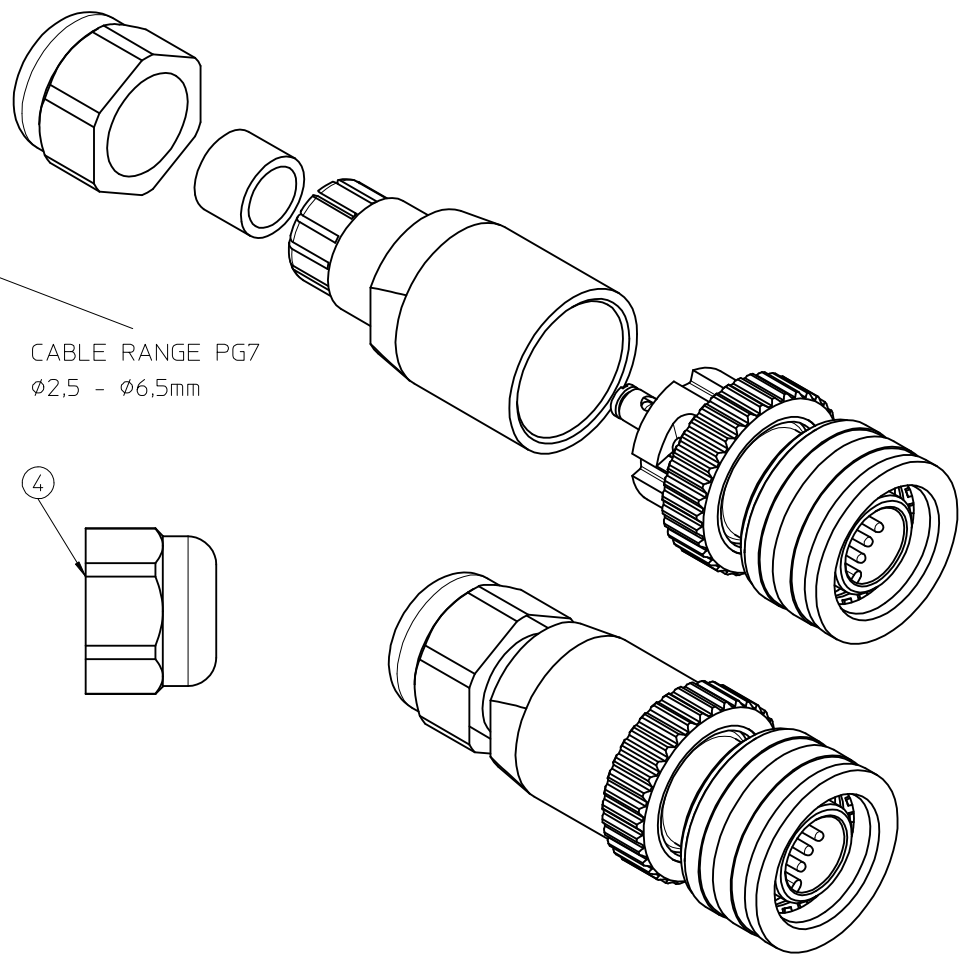
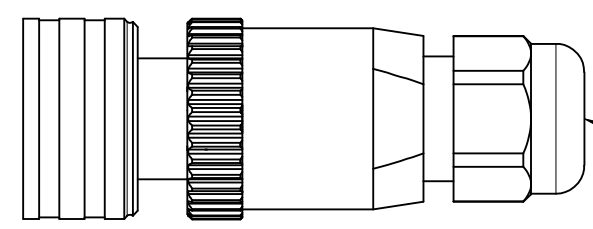
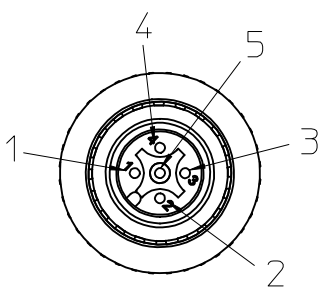
FUNCTIONAL SYMBOLS $\nabla_A = 0$ $\nabla_E = 0$ $\nabla_V = 0$	THIS DRAWING CONTAINS INFORMATION THAT IS PROPRIETARY TO MOLEX ELECTRONIC TECHNOLOGIES, LLC AND SHOULD NOT BE USED WITHOUT WRITTEN PERMISSION	SCALE 2:1	CURRENT REV DESC:			
	GENERAL TOLERANCES (UNLESS SPECIFIED)	mm	EC NO: 703182			
	ANGULAR TOL ± 1.0°	4 PLACES ±	DRWN: SSM 2022/03/09			
	2 PLACES ± 0.05	3 PLACES ±	CHK'D: RSILLER 2022/04/14			
DIVISIONAL SYMBOLS	1 PLACE ± 0.1	APPR: RSILLER 2022/04/14				
0 PLACES ± 0.5	INITIAL REVISION:		DOCUMENT NUMBER	DOC TYPE	DOC PART	REVISION
DRAFT WHERE APPLICABLE MUST REMAIN WITHIN DIMENSIONS	THIRD ANGLE PROJECTION	DRAWING	SERIES	MATERIAL NUMBER	CUSTOMER	SHEET NUMBER
		A3-SIZE	120085	SEE PART LIST	GENERAL MARKET	1 OF 1

molex

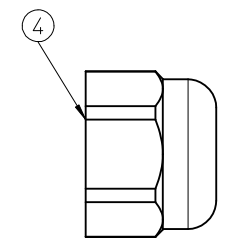
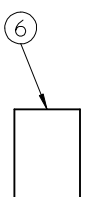
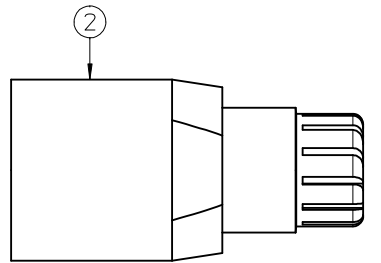
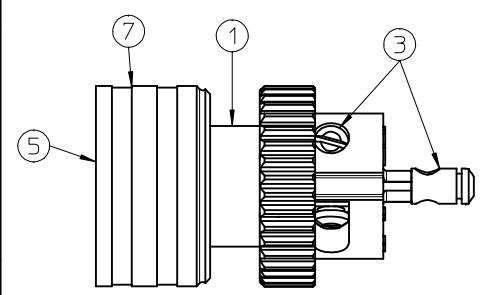
M12U ATTACHABLE XP MP ST

1200850003

10 9 8 7 6 5 4 3 2 1



CABLE RANGE PG7
 Ø2,5 - Ø6,5mm



ITEM	COMPONENT	MATERIAL	FINISH
1	INSERT	PA	BLACK
2	HOUSING	PA	BLACK
3	CONTACT	BRASS / GOLD	CuZn Ni/ Au
4	PG NUT	PA	BLACK
5	O-RING	VITON	RED
6	GROMMET	CR	BLACK
7	ULTRA-LOCK	BRASS /ST.STEEL	NICKEL PLATED

POL	MATERIAL NO.	ENGINEERING NO.
4	1200850003	WA4006-31
5	1200850004	WA5006-31

VOLTAGE RATING: 4 POLE: 250 VAC/VDC
 5 POLE: 30 VAC/36 VDC

AMPERAGE RATING: 4A

PROTECTION CLASS: IP 67/68/69K

OPERATING TEMPERATURE: -25°C / 90°C

UL CERTIFICATION: FILE NO. E152210

CSA CERTIFICATIONS: FILE NO. LR6837

ENTER DESCRIPTION
 EC NO: IPG2013-2053
 DRW:BBRAUCH 2013/06/28
 CHKD:
 APPR:CBURGER 2013/06/28
 REV

QUALITY SYMBOLS
 ▽=0
 ◻=0

	GENERAL TOLERANCES (UNLESS SPECIFIED)	
	mm	INCH
4 PLACES	± ---	± ---
3 PLACES	± ---	± ---
2 PLACES	± 0.05	± ---
1 PLACE	± 0.1	± ---
0 PLACE	± 0.5	±

ANGULAR ± 1 °

DRAFT WHERE APPLICABLE MUST REMAIN WITHIN DIMENSIONS

DIMENSION STYLE	
MM ONLY	
DRAWN BY	DATE
FPACHER	2009/12/22
CHECKED BY	DATE
APPROVED BY	DATE
FPACHER	2010/02/05
MATERIAL NO.	

SCALE	DESIGN UNITS	THIRD ANGLE PROJECTION
2:1	METRIC	
TITLE		
FA U12 XP AC MA STR PG7 BK BRA		
molex		
DOCUMENT NO.	SHEET NO.	
SD-120085-001	1 OF 1	
THIS DRAWING CONTAINS INFORMATION THAT IS PROPRIETARY TO MOLEX INCORPORATED AND SHOULD NOT BE USED WITHOUT WRITTEN PERMISSION		

9 8 7 6 5 4 3 2 1