

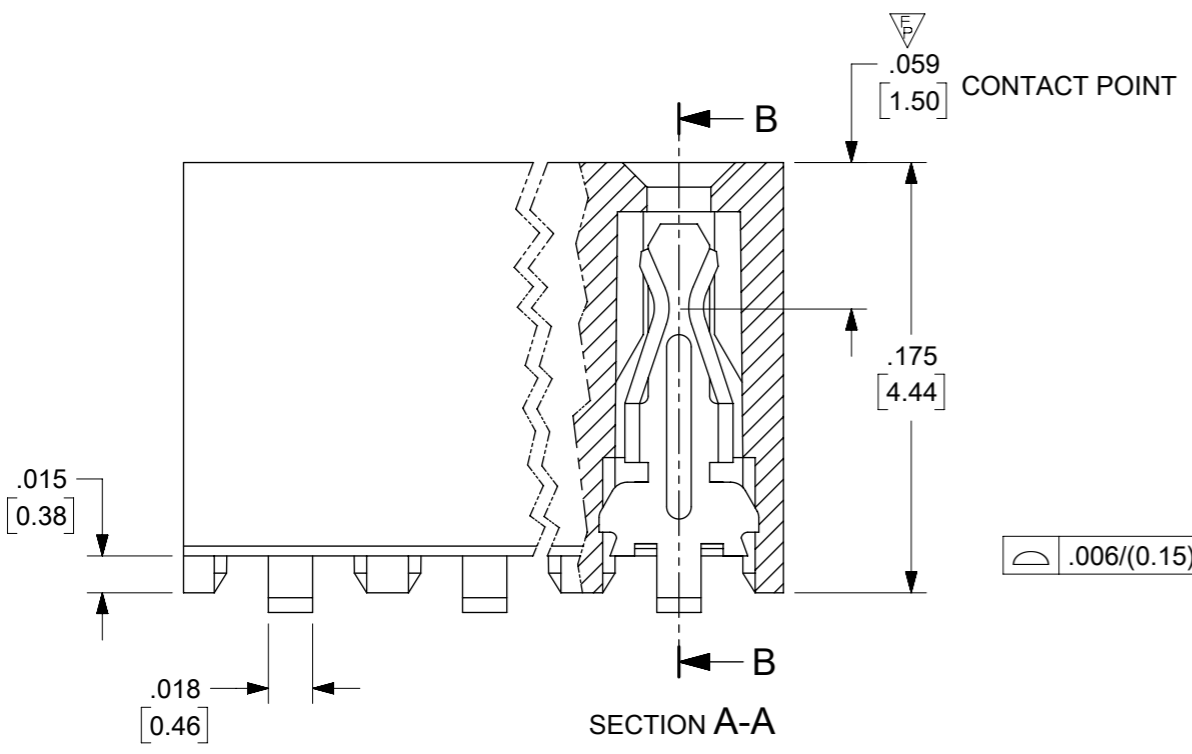
RECOMMENDED PCB PAD LAYOUT

NOTES:

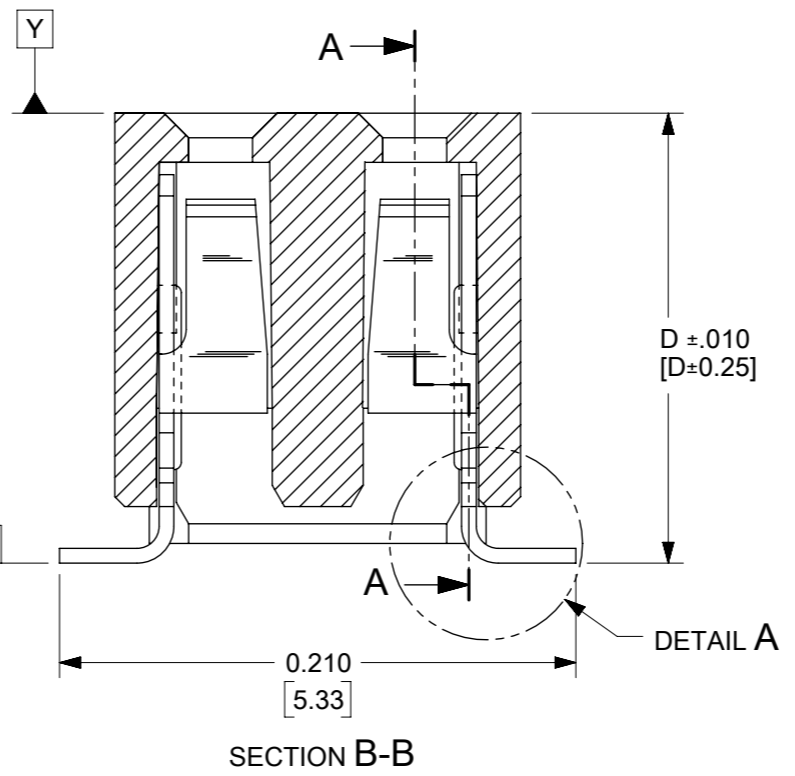
- HOUSING MATERIAL:  
LCP, GLASS FILLED, UL 94V-0  
COLOUR BLACK.
- TERMINAL MATERIAL:  
PHOSPHOR BRONZE
- SEE APPROPRIATE SHEET FOR CIRCUIT SIZE,  
PART NUMBERS AND OVERALL DIMENSIONS.
- 6 CKT WITHOUT CAP ASSY IS SHOWN FOR ILLUSTRATION ONLY.
- REFER TO PRODUCT SPEC PS-79107.
- TAPE PACKAGING PER PK-70873-0259
- CKT LOCATIONS ARE NUMBERED FROM LEFT TO  
RIGHT WHEN VIEWING ASSY FROM TOP WITH  
THE GATE RECESS ON THE RIGHT AS SHOWN.
- MEASUREMENT IS TAKEN BETWEEN THE TANGENT OF  
THE TOE TO TIP OF THE TERMINAL.

PLATING OPTION:

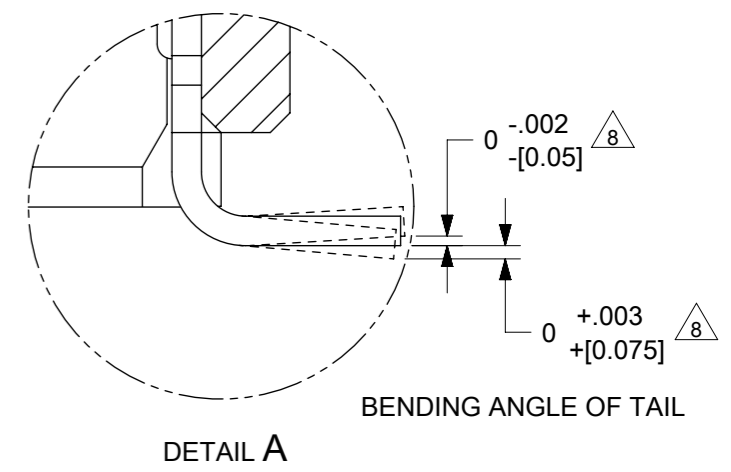
- 30µ" (0.75µm) MIN. GOLD PLATE IN SELECTED AREA AND  
75µ" (1.88µm) MIN. TIN PLATE IN SELECTED AREA OVER  
50µ" (1.25µm) MIN. NICKEL OVERALL.
- 15µ" (0.38µm) MIN. GOLD PLATE IN SELECTED AREA AND  
75µ" (1.88µm) MIN. TIN PLATE IN SELECTED AREA OVER  
50µ" (1.25µm) MIN. NICKEL OVERALL.
- 5µ" (0.13µm) MIN. GOLD PLATE IN SELECTED AREA AND  
75µ" (1.88µm) MIN. TIN PLATE IN SELECTED AREA OVER  
50µ" (1.25µm) MIN. NICKEL OVERALL.



SECTION A-A

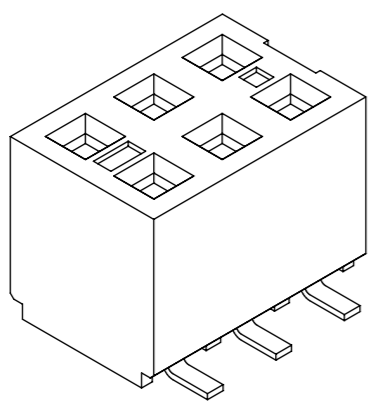


SECTION B-B



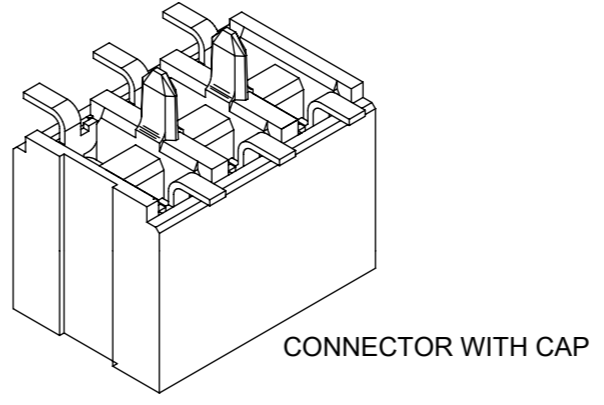
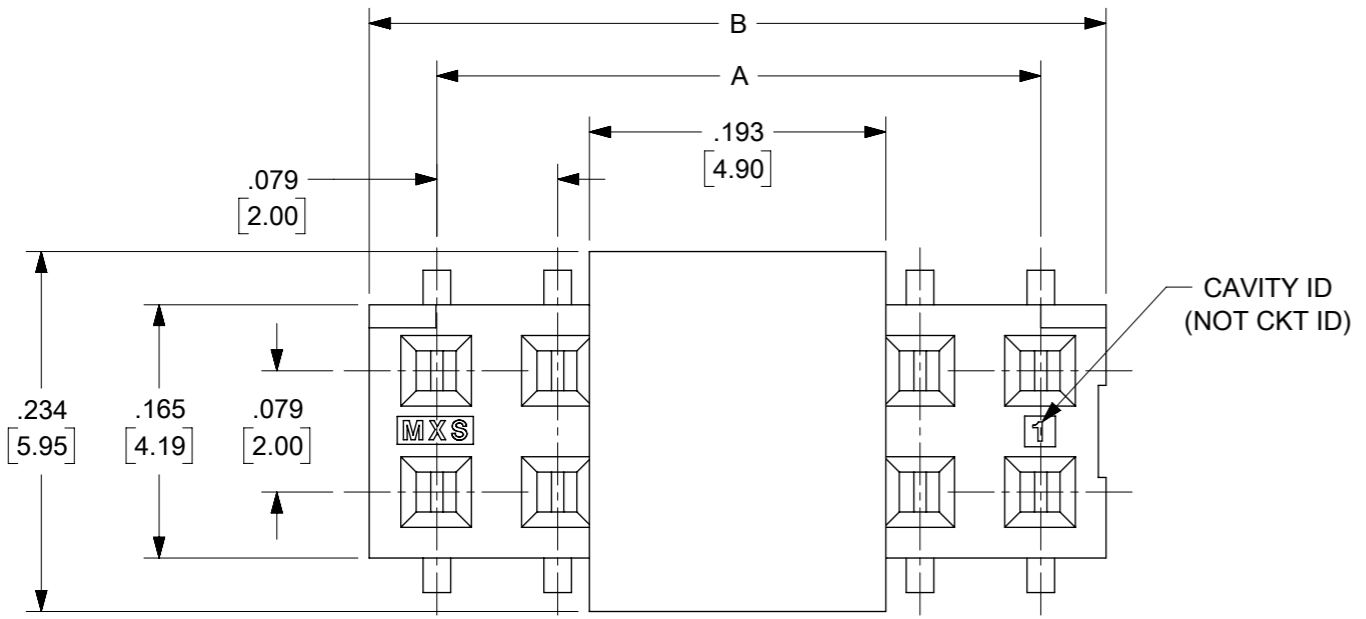
DETAIL A

BENDING ANGLE OF TAIL

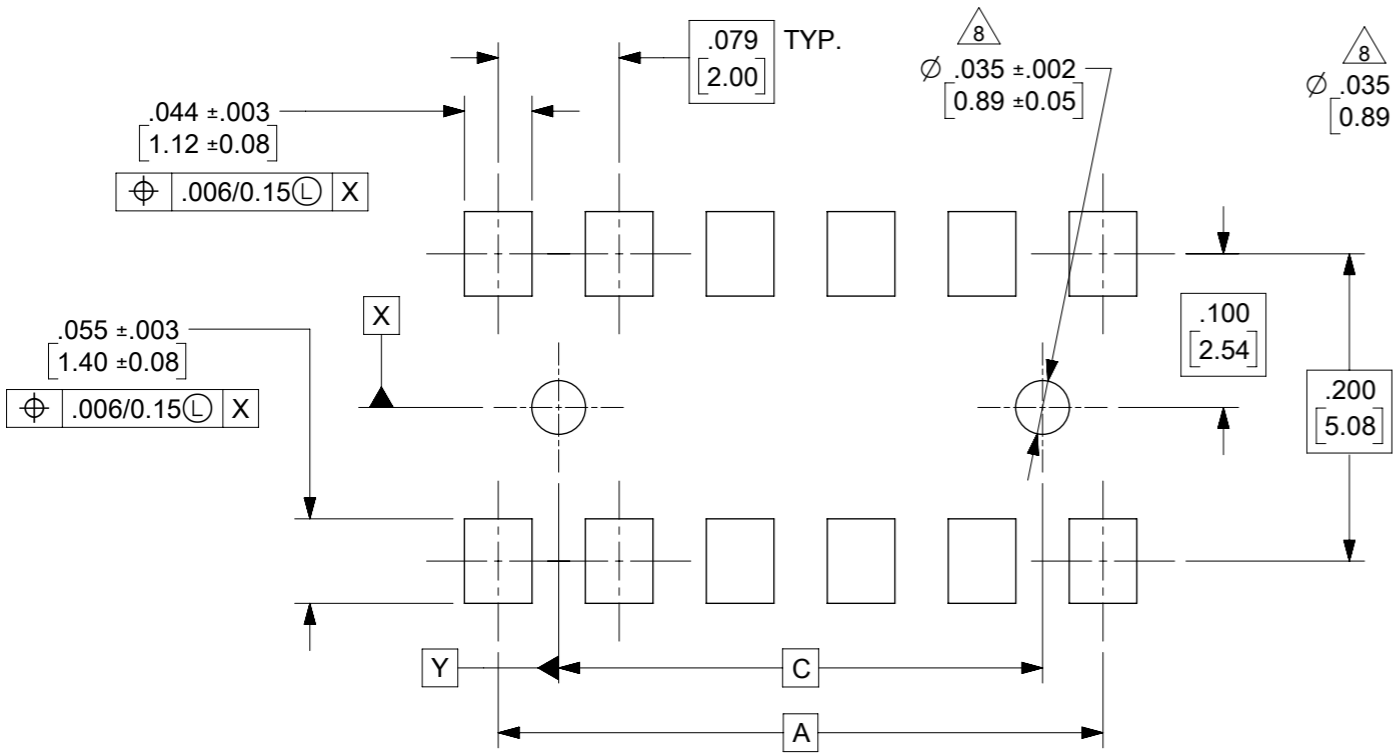
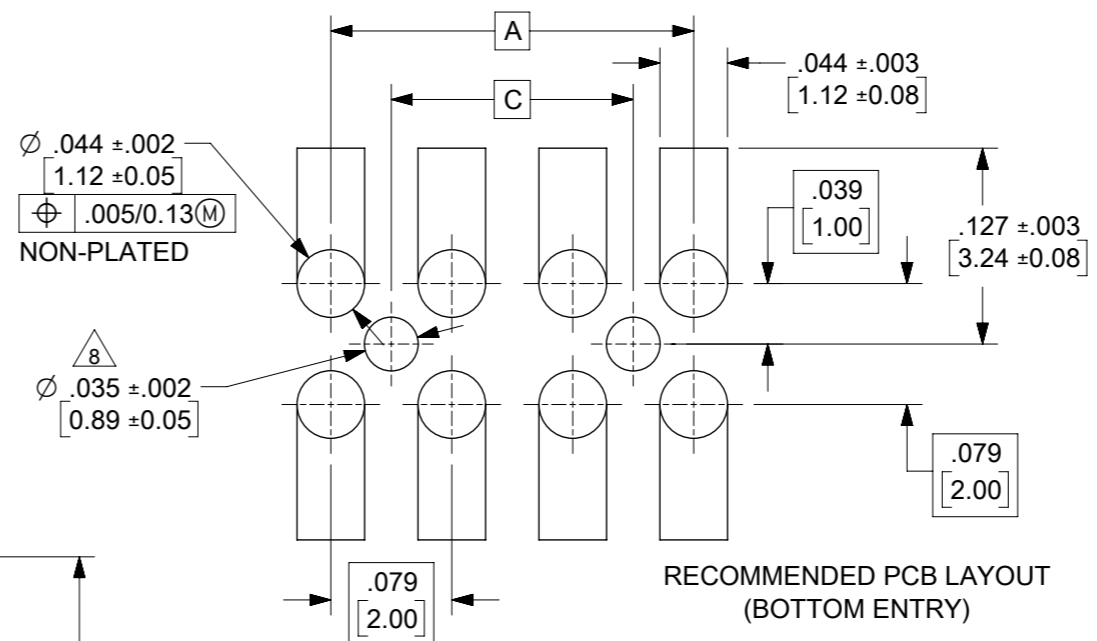
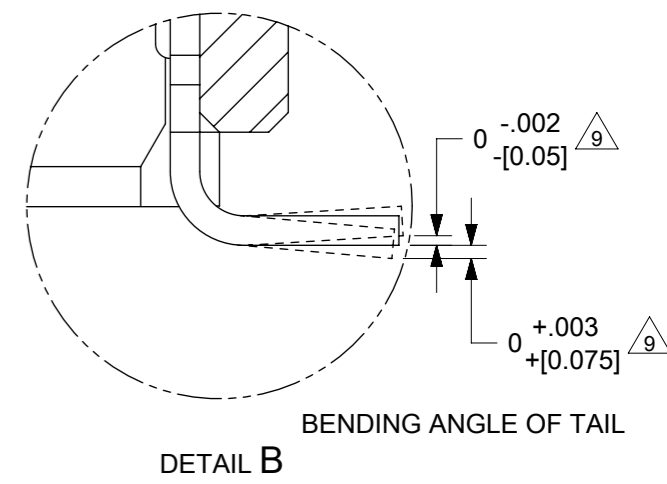
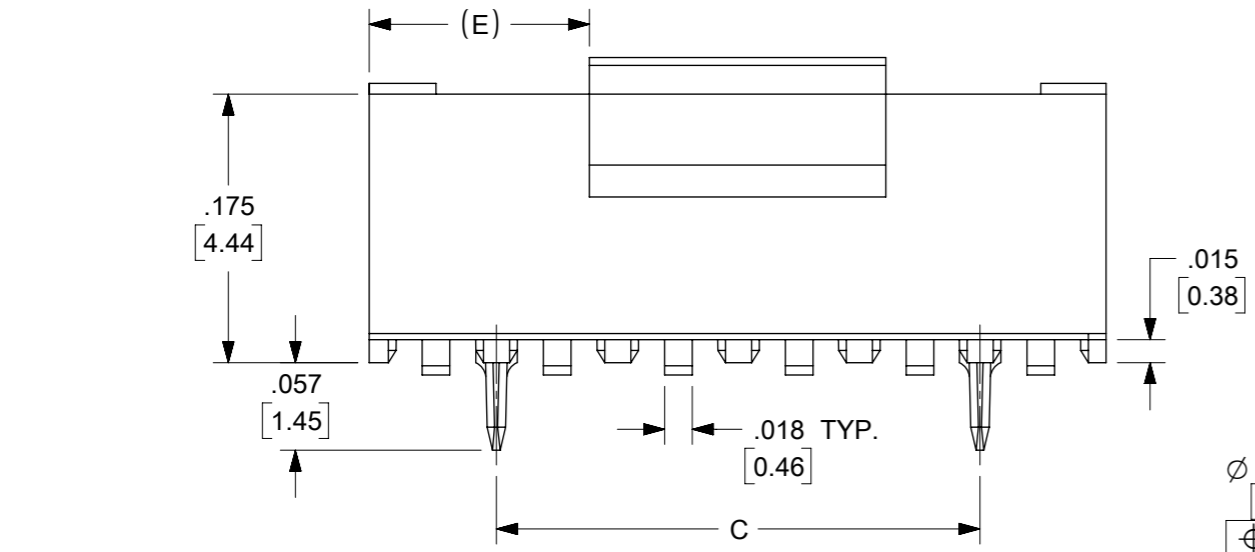
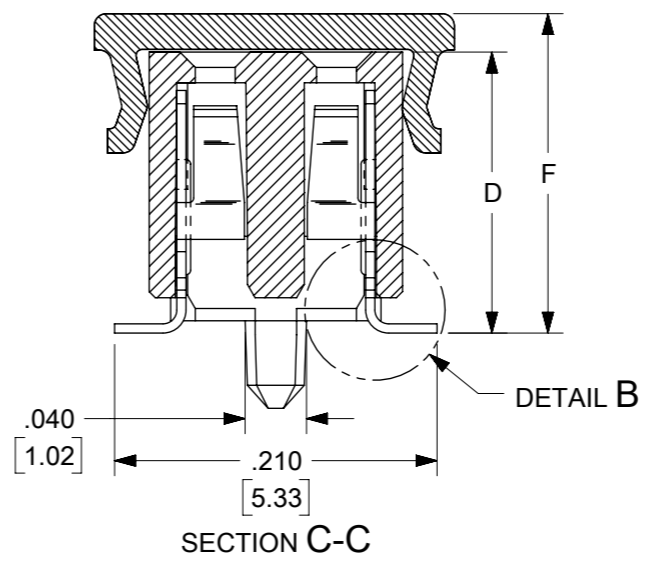


SYMBOLS	THIS DRAWING CONTAINS INFORMATION THAT IS PROPRIETARY TO MOLEX ELECTRONIC TECHNOLOGIES, LLC AND SHOULD NOT BE USED WITHOUT WRITTEN PERMISSION		CURRENT REV DESC:		<b>molex</b>
	DIMENSION UNITS	SCALE			
▽ = 0	mm	NTS			2MM DUAL ROW VERTICAL RECEPTACLE, SMT
▽ = 0	GENERAL TOLERANCES (UNLESS SPECIFIED)				
▽ = 0		MM	INCH	EC NO: 716564	PRODUCT CUSTOMER DRAWING
▽ = 0	4 PLACES ±			DRWN: DANUSA 2022/08/02	
▽ = 0	3 PLACES ±		± 0.01	CHK'D: DANUSA 2022/08/03	DOCUMENT NUMBER <b>SD-79109-006</b>
▽ = 0	2 PLACES ±	0.25	± 0.015	APPR: MRAMAKRISHNA 2022/08/03	
▽ = 0	1 PLACE ±	0.38		INITIAL REVISION:	DOC PART 001
▽ = 0	0 PLACES ±			DRWN: DRWN BY XXXX/XX/XX	REVISION A11
▽ = 0	ANGULAR TOL ±	3.0°		APPR: APPR BY XXXX/XX/XX	SHEET NUMBER 1 OF 5
▽ = 0	DRAFT WHERE APPLICABLE MUST REMAIN WITHIN DIMENSIONS		THIRD ANGLE PROJECTION	DRAWING A3-SIZE	
▽ = 0			SERIES 79109	MATERIAL NUMBER	CUSTOMER GENERAL MARKET





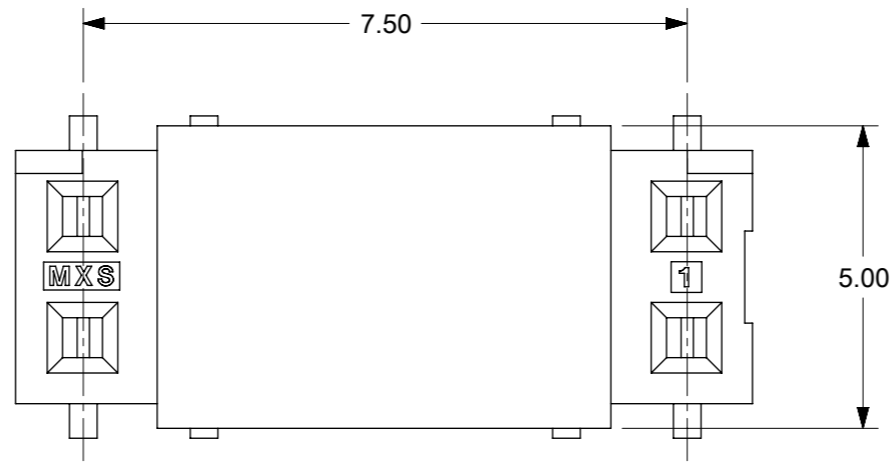
- NOTES:
- HOUSING MATERIAL : GLASS FILLED HIGH TEMP. THERMOPLASTIC. COLOR: BLACK.
  - TERMINAL MATERIAL: PHOSPHOR BRONZE
  - SEE APPROPRIATE SHEET FOR CIRCUIT SIZE, PART NUMBERS AND OVER-ALL DIMENSIONS.
  - FOR ILLUSTRATION, 6 & 12 CIRCUIT ASSEMBLY SHOWN.
  - REFER TO PRODUCT SPECIFICATION PS-79107.
  - TAPE PACKAGING PER PK-70873-0259.
  - SEE PSX-79107 FOR SUGGESTED BOTTOM ENTRY PIN LENGTHS.
  - .035 DIA. FOR PRESS FIT ONLY. USE .039±0.002 FOR ALIGNMENT PURPOSES ON PICK AND PLACE.
  - MEASUREMENT IS TAKEN BETWEEN THE TANGENT OF THE TOE TO TIP OF THE TERMINAL.



THIS DRAWING CONTAINS INFORMATION THAT IS PROPRIETARY TO MOLEX ELECTRONIC TECHNOLOGIES, LLC AND SHOULD NOT BE USED WITHOUT WRITTEN PERMISSION										
SYMBOLS	DIMENSION UNITS		SCALE		CURRENT REV DESC:					
	mm	NTS								
GENERAL TOLERANCES (UNLESS SPECIFIED)					EC NO: 716564					
∇ = 0	4 PLACES ±		MM	INCH	DRWN: DANUSA	2022/08/02				
∇ = 0	3 PLACES ±	± 0.01			CHK'D: DANUSA	2022/08/03				
∇ = 0	2 PLACES ±	± 0.25 ± 0.015			APPR: MRAMAKRISHNA	2022/08/03	2MM DUAL ROW VERTICAL RECEPTACLE, SMT			
∇ = 0	1 PLACE ±	0.38 ±			INITIAL REVISION:		PRODUCT CUSTOMER DRAWING			
∇ = 0	0 PLACES ±				DRWN: DRWN BY	XXXX/XX/XX	DOCUMENT NUMBER	DOC TYPE	DOC PART	REVISION
∇ = 0	ANGULAR TOL	± 3.0°			APPR: APPR BY	XXXX/XX/XX	SD-79109-006	PSD	001	A11
■ = 0	DRAFT WHERE APPLICABLE MUST REMAIN WITHIN DIMENSIONS		THIRD ANGLE PROJECTION		DRAWING	SERIES	MATERIAL NUMBER	CUSTOMER	SHEET NUMBER	
∇ = 0					A3-SIZE	79109		GENERAL MARKET	3 OF 5	

**PARTS WITH PEG**

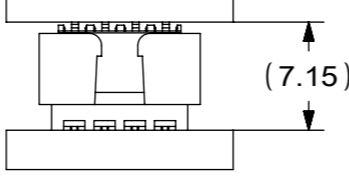
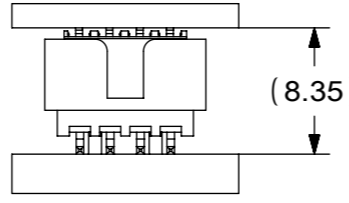
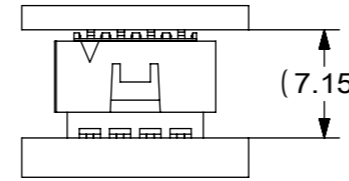
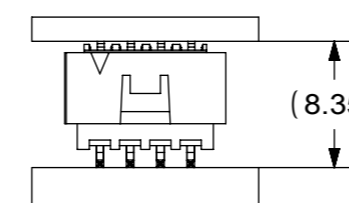
CKT. SIZE	DIM A		DIM B		DIM C		DIM D		DIM E		DIM F		ITEM No.	ASSEMBLY P/N WITH KAPTON TAPE	PLATING OPTION SEE SHEET 1
	INCH	MM	INCH	MM	INCH	MM	INCH	MM	INCH	MM	INCH	MM			
A11 6	.157	(4.00)	.164	(4.19)	.078	(2.00)		(4.65)	--	--			79109-8625	-	2
8	.236	(6.00)	.322	(8.19)	.157	(4.00)	.183	(4.65)	.065	(1.65)			79109-9108	-	1
10	.315	(8.00)	.401	(10.19)	.236	(6.00)	.183	(4.65)	.104	(2.65)	.207	(5.25)	79109-9110	-	2
18	.630	(16.00)	.716	(18.19)	.551	(14.00)	.183	(4.65)	.262	(6.65)			79109-9118	79109-9318	1
26	.945	(24.00)	1.03	(26.19)	.866	(22.00)	.183	(4.65)	.419	(10.64)			79109-9126	-	2




12CKT WITH KAPTON TAPE ILLUSTRATION

<b>SYMBOLS</b> DIMENSION UNITS: mm, NTS SCALE: NTS GENERAL TOLERANCES (UNLESS SPECIFIED): 4 PLACES ± 0.01 3 PLACES ± 0.01 2 PLACES ± 0.25 ± 0.015 1 PLACE ± 0.38 ± 0 PLACES ± ANGULAR TOL ± 3.0° DRAFT WHERE APPLICABLE MUST REMAIN WITHIN DIMENSIONS THIRD ANGLE PROJECTION DRAWING: A3-SIZE SERIES: 79109	THIS DRAWING CONTAINS INFORMATION THAT IS PROPRIETARY TO MOLEX ELECTRONIC TECHNOLOGIES, LLC AND SHOULD NOT BE USED WITHOUT WRITTEN PERMISSION		CURRENT REV DESC: EC NO: 716564 DRWN: DANUSA 2022/08/02 CHK'D: DANUSA 2022/08/03 APPR: MRAMAKRISHNA 2022/08/03				
	PRODUCT CUSTOMER DRAWING			2MM DUAL ROW VERTICAL RECEPTACLE, SMT			
	DOCUMENT NUMBER: SD-79109-006		DOC TYPE: PSD	DOC PART: 001	REVISION: A11		
	MATERIAL NUMBER:		CUSTOMER: GENERAL MARKET		SHEET NUMBER: 4 OF 5		

# BOARD TO BOARD (BTB) DISTANCE

RECEPTACLE	MATES WITH(HEADER)	BTB DISTANCE	PICTORIAL VIEW
79109	87831	7.15	
	87832	8.35	
	151117	7.15	
	151118	8.35	

SYMBOLS	THIS DRAWING CONTAINS INFORMATION THAT IS PROPRIETARY TO MOLEX ELECTRONIC TECHNOLOGIES, LLC AND SHOULD NOT BE USED WITHOUT WRITTEN PERMISSION		CURRENT REV DESC:		 2MM DUAL ROW VERTICAL RECEPTACLE, SMT		
	DIMENSION UNITS		SCALE			EC NO: 716564 DRWN: DANUSA 2022/08/02 CHK'D: DANUSA 2022/08/03 APPR: MRAMAKRISHNA 2022/08/03	
	mm		NTS				
	GENERAL TOLERANCES (UNLESS SPECIFIED)					INITIAL REVISION: DRWN: DRWN BY XXXX/XX/XX APPR: APPR BY XXXX/XX/XX	
▽ = 0	4 PLACES ±	MM	INCH	DOCUMENT NUMBER	DOC TYPE	DOC PART	REVISION
▽ = 0	3 PLACES ±			SD-79109-006	PSD	001	A11
▽ = 0	2 PLACES ± 0.25 ± 0.015			MATERIAL NUMBER	CUSTOMER	SHEET NUMBER	
▽ = 0	1 PLACE ± 0.38 ±				GENERAL MARKET	5 OF 5	
☒ = 0	0 PLACES ±			DRAFT WHERE APPLICABLE MUST REMAIN WITHIN DIMENSIONS		THIRD ANGLE PROJECTION	
■ = 0	ANGULAR TOL ± 3.0°			DRAWING	SERIES		
▽ = 0				A3-SIZE	79109		