

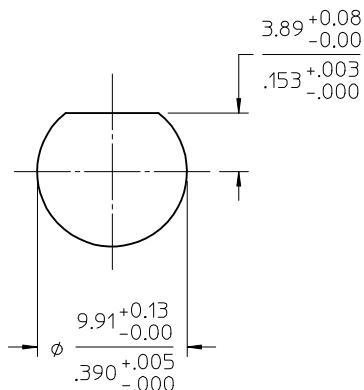
MATERIALS AND FINISHES

BODY, NUT BRASS
PLATED NICKEL

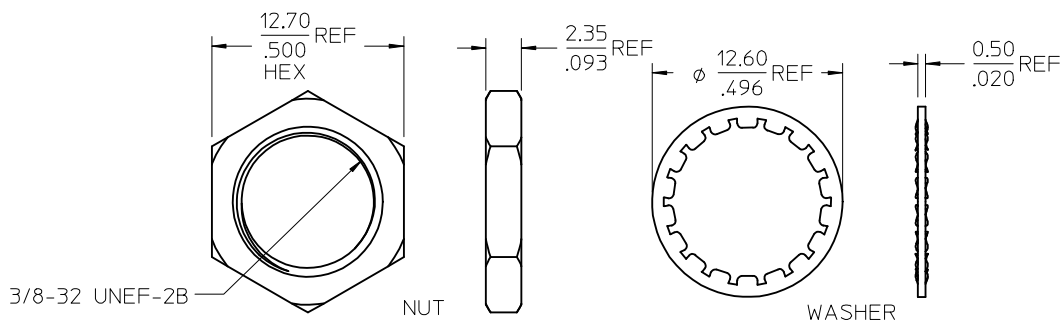
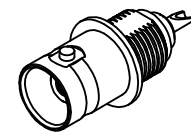
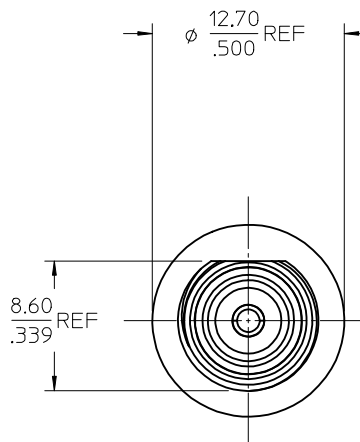
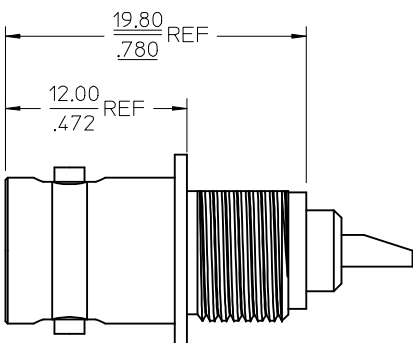
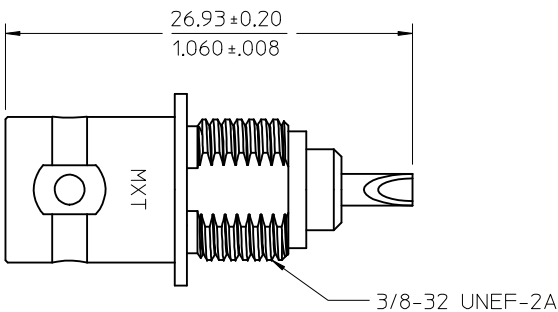
CENTER CONTACT PHOSPHOR BRONZE
PLATED GOLD

INSULATOR TEFLON

LOCKWASHER PHOSPHOR BRONZE
PLATED NICKEL



RECOMMENDED MOUNTING HOLE
MAXIMUM PANEL THICKNESS: 2.65(.104)



PS-73598-0019	ELETR/MECH PERFORM.
SPECIFICATION	DESCRIPTION

73171-3080	73100-0195, ONE PER BAG
73100-0195	BAG(100PCS)
PART NO.	PACKAGING

CHG: PACKING UPDATE PER SAP EWR RF16-E064 EC NO: URF2016-0739 DRWN: YCHENG 2016/04/29 CHKD: APPR: YCHENG 2016/04/29 REV: G3	QUALITY SYMBOLS ▽=0 ▽=0	GENERAL TOLERANCES (UNLESS SPECIFIED) mm INCH 4 PLACES ± --- ± --- 3 PLACES ± --- ± --- 2 PLACES ± --- ± --- 1 PLACE ± --- ± --- ANGULAR ± 2°	DIMENSION STYLE MM/IN DRAWN BY DATE NORMAN 1995/01/05 CHECKED BY DATE SAM APPROVED BY DATE WALLY	SCALE DESIGN UNITS METRIC THIRD ANGLE PROJECTION	TITLE BNC JACK, BULKHEAD WITH SOLDER POT, 50 OHMS BNC-JR/BK
		DRAFT WHERE APPLICABLE MUST REMAIN WITHIN DIMENSIONS	MATERIAL NO. SEE TABLE	MOLEX INCORPORATED DOCUMENT NO. SD-73100-0195	SHEET NO. 1 OF 1
		THIS DRAWING CONTAINS INFORMATION THAT IS PROPRIETARY TO MOLEX INCORPORATED AND SHOULD NOT BE USED WITHOUT WRITTEN PERMISSION			