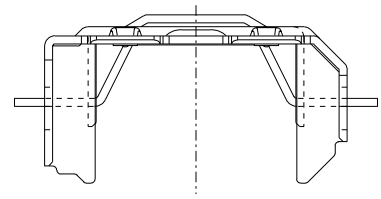
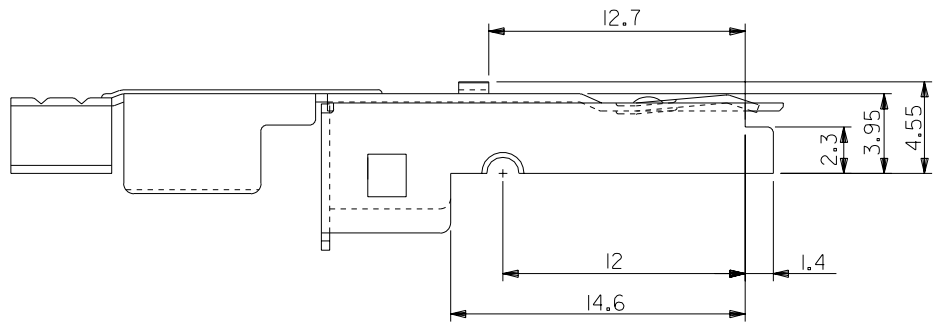
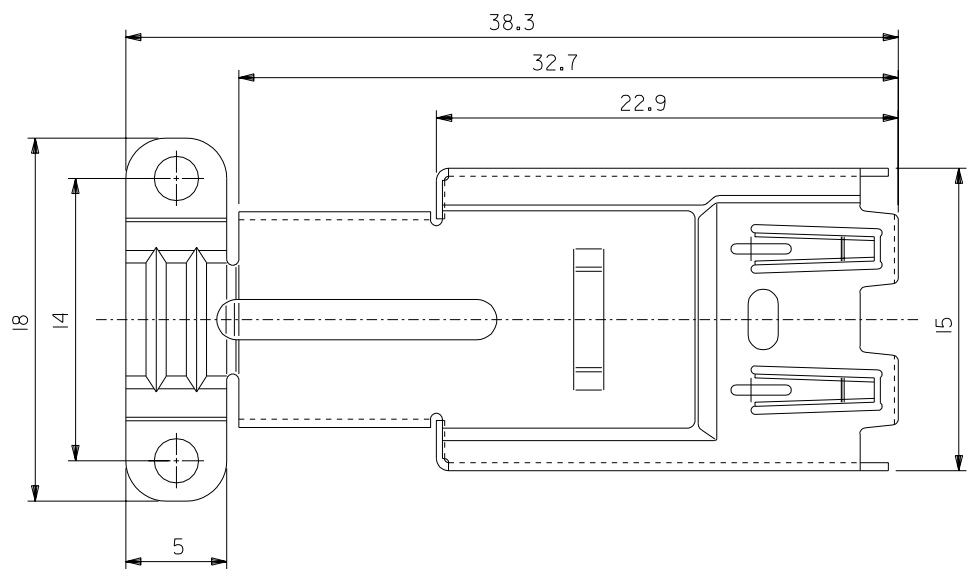


DWG. NO.
SD-58935-003



注記
NOTES

1. 材質 :りん青銅 t0.4
MATERIAL :PHOSPHOR BRONZE t0.4
2. メッキ仕様
PLATING
ニッケル下地、錫メッキ
NICKEL BASE , TIN PLATING
3. 適用ハウジング アッセンブリ : 55445-1019
APPLICABLE HOUSING ASS'Y : 55445-1019
4. 適用圧着ハウジング : 51209-1001
APPLICABLE CRIMP HOUSING : 51209-1001
5. シース外径 : φ 9 MAX.
SEATH O.D : φ 9 MAX.
6. 本製品は 58935-1000 の鉛フリー品である。
THIS PRODUCT IS LEAD FREE OF 58935-1000.

58935-1028	58935-10**
MATERIAL.NO	MODEL.NO
DIMENSIONS:	
<input type="checkbox"/> mm	<input type="checkbox"/> INCH
<input checked="" type="checkbox"/> mm	<input type="checkbox"/> INCH
<input type="checkbox"/> ONLY	<input type="checkbox"/> ONLY
SHT	REV
REVISE ON	CAD ONLY

DO NOT SCALE DRAWING

EC NO. DRWN: CHK: APPR:	EC NO. DRWN: CHK: APPR:	EC NO. DRWN: CHK: APPR:	EC NO. DRWN: CHK: APPR:	EC NO. DRWN: CHK: APPR:	EC NO. J2004-3790 DRWN: M.NABEI CHK: K.TOJO APPR: M.SASAO	RELEASED 04/04/14	MATERIAL 材料 注記参照 SEE NOTES.	GENERAL TOLERANCES: (UNLESS SPECIFIED) 一般公差	SCALE 4-1	DESIGN UNITS <input checked="" type="checkbox"/> mm <input type="checkbox"/> INCH	THIRD ANGLE PROJECTION	TITLE: 2.0 I/O PLUG SHELL COVER -LEAD FREE-
FINISH 仕上げ 注記参照 SEE NOTES	WIRE RANGE 適用電線範囲 —	ANGLE 角度 ±3°	10 UNDER 未満 ±0.2	10 OVER 30 UNDER 以上 未満 ±0.25	30 OVER 以上 ±0.3	DRAWN BY & DATE M.NABEI 04/04/14	CHECKED BY & DATE K.TOJO 04/04/14	APPROVED BY & DATE M.SASAO 04/04/14	CAD FILENAME SD-58935-003.S01	MATERIAL NO. SEE CHART	DRAWING NO. SD-58935-003	SHEET NO. 1 OF 1
INS. RANGE 被覆外径 —	THIS DRAWING CONTAINS INFORMATION THAT IS PROPRIETARY TO MOLEX INCORPORATED AND SHOULD NOT BE USED WITHOUT WRITTEN PERMISSION.											

SD-58935-003.S01