

# TR Series

Heavy Duty Tri-pod

## Product Features:

Each tripod holds mast up to 1.75" OD

Includes a pitch pad kit, a universal mast clamp and has installer friendly front facing feet

Dark gray weather resistant powder coat finish

### TR-36

36" Heavy Duty Tripod

### TR-60

60" Heavy Duty Tripod

## Product Specifications:

*(for Architects & Engineers)*

The heavy duty tripod for antenna masts or satellite dish pipe shall be the Video Mount Products' (VMP) TR-\_\_\_\_. The mount shall be constructed primarily of tube and angular steel riveted together. The tripod shall be able to accommodate masts and pipe up to 1.75" OD. The tripod shall have two mounting rings to stabilize the antenna mast. The bottom mounting ring shall be capable of supporting the bottom of an antenna mast so the mast does not touch the roofing surface. The tripod shall have front facing mounting feet and come with a pitch pad kit for proper sealing during mounting on the roof surface. The tripod shall be painted with weather resistant powder coat paint.

## Video Mount Products

345 Log Canoe Circle

Stevensville, MD 21666

Toll Free: 877.281.2169

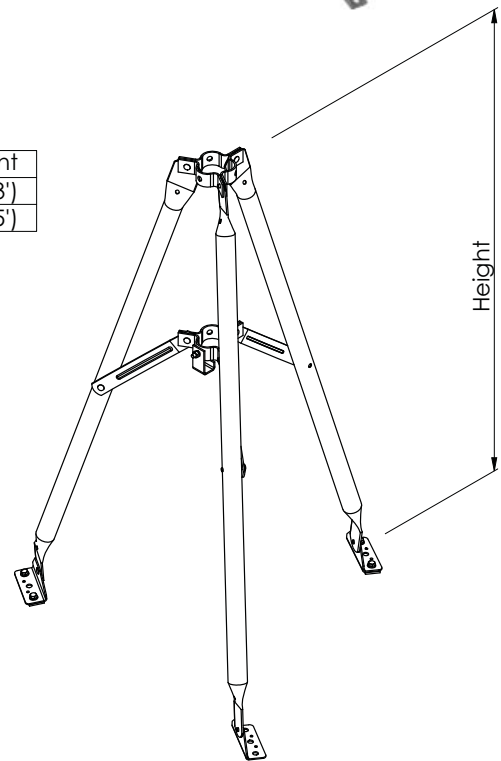
Telephone: 410.643.6390

Facsimile: 410.643.6615

[www.videomount.com](http://www.videomount.com)



Model	Height
TR-36	36" (3')
TR-60	60" (5')



**VMP**  
VIDEO MOUNT PRODUCTS