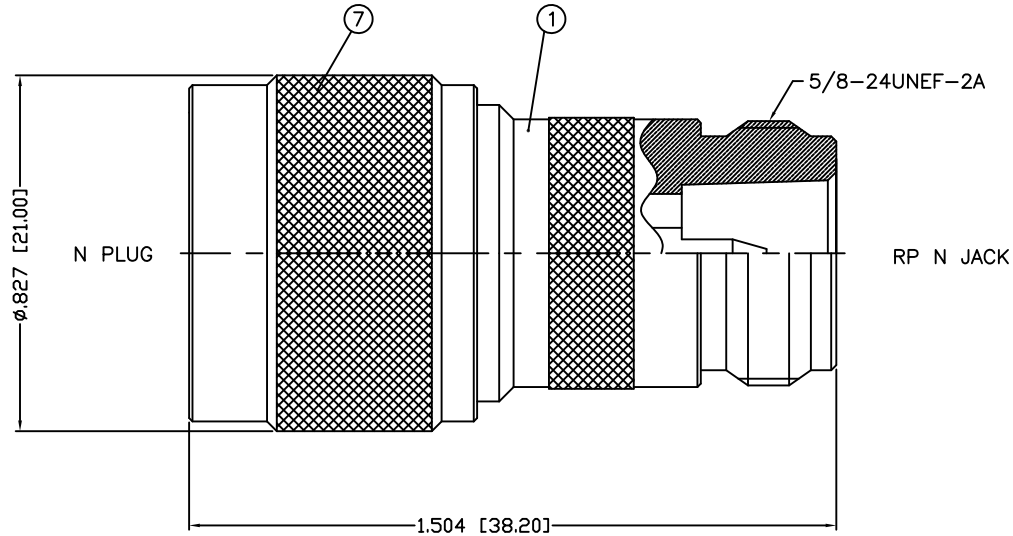


THIS DRAWING CONTAINS INFORMATION PROPRIETARY TO RF INDUSTRIES,
 ANY UNAUTHORIZED USE OF THIS DRAWING IS EXPRESSLY PROHIBITED
 WITHOUT WRITTEN PERMISSION FROM RF INDUSTRIES.
 ANY VIOLATION IS PUNISHABLE UNDER U.S. COPYRIGHT LAWS.

ALL DIMENSIONS ARE REFERENCE ONLY

PART NO.		RP-1015		
REV	DESCRIPTION	DWN	DATE	APPROVED
-	ENGINEERING RELEASE	JDMc	11/12/03	JDMc



SPECIFICATIONS:

IMPEDANCE: 50 Ohms
 INTERFACE: Per MIL-STD-348
 FREQUENCY RANGE: 0-11 GHz
 VSWR: 1.15:1 Max to 6 GHz
 INSERTION LOSS: -0.03 dB x √ F (F=GHz) MAX
 WORKING VOLTAGE: 1K VRMS @ sea level
 TEMPERATURE RANGE: -65°C TO 85°C
 INSULATION RESISTANCE: 5k M Ohms min.

1	BODY	1	BRASS	NICKEL, 100 μ"	008974	
2	INSULATOR	1	PTFE	WHITE		
3	GROUND RING	1	BRASS	NICKEL, 100 μ"		
4	PIN	1	PHOS B	GOLD, 3 μ" MIN		
5	R-RING	1	SST-304	NONE		
6	GASKET	1	SILICONE	RED		
7	SHELL		BRASS	NICKEL, 100		
8						
9						
10					DRAWN	
11					JDM	
12					CHECKED	
13					ORJ DRAWN	
14					JDM	
#	DESCRIPTION	QTY	MATRL	FINISH	APPROVALS	DATE

UNLESS OTHERWISE SPECIFIED:
 1. REMOVE ALL BURRS
 2. BREAK ALL CORNERS & EDGES .005 R. MAX.
 3. CHAMFER 1ST & LAST THREADS 45°
 4. SURFACE ROUGHNESS 63 FINISH MIL-STD-10
 5. DIAMETERS ON COMMON CENTERS TO BE CONCENTRIC WITHIN .002 T.I.R.
 6. ALL DIMENSIONS ARE AFTER PLATING.

DIMENSIONS ARE IN INCHES AND [MILLIMETERS]
 UNLESS OTHERWISE NOTED TOLERANCES ARE:
 DECIMALS DIAMETER
 .XXX±.003 [.08] .XXX±.001 [.03]
 .XX±.005 [.13] .XX±.003 [.08]

RFconnectors 7610 MIRAMAR RD
 SAN DIEGO, CA 92126
 (858) 549-6340
 DIVISION OF RF INDUSTRIES, LTD. (858) 549-6345 FAX

N PLUG TO RP N JACK
 ADAPTER, REVERSE POLARITY

SIZE	CABLE GROUP	DWG NO.	REV
A	N/A	RP-1015	-
SCALE:	NTS	CAD FILE	OUTLINE
SHEET 1 OF 1			