

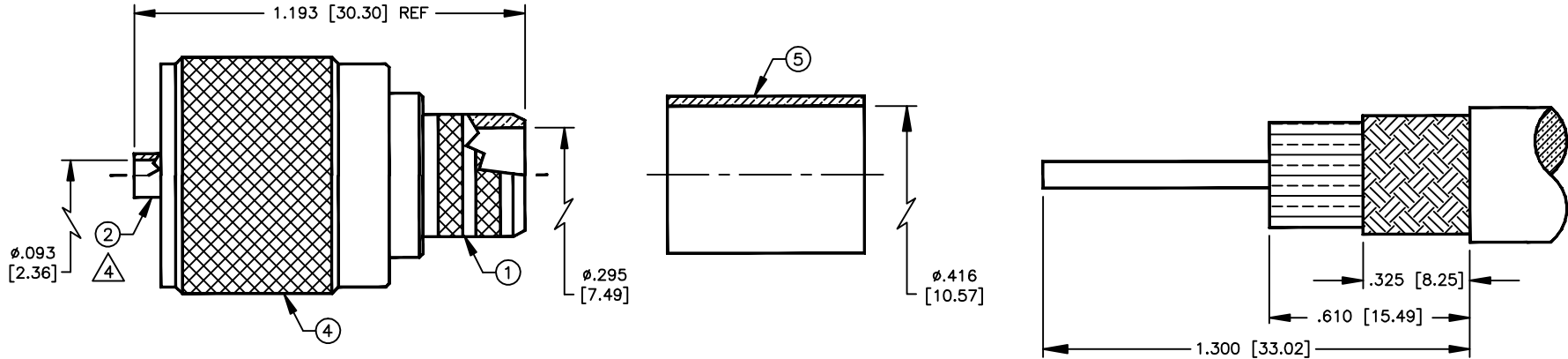
SPECIFICATION CONTROL DRAWING

THIS DRAWING CONTAINS INFORMATION PROPRIETARY TO RF INDUSTRIES, LTD. ANY UNAUTHORIZED USE OF THIS DRAWING IS EXPRESSLY PROHIBITED. ANY VIOLATION IS PUNISHABLE UNDER U.S. COPYRIGHT LAWS.

| REV | DESCRIPTION | DWN | DATE | APPROVED |
|-----|---|-----|---------|------------|
| K | CHG FERRULE STUD DIMS & DIELECTRIC BARRIER CONFIG | KMM | 8/15/94 | R.RICE |
| L | CHANGE CONTACT END DIMENSION | KMM | 8/31/95 | R.RICE |
| M | CHANGE CONTACT ITEM #2 & DIELECTRIC ITEM #3 | CZS | 2/19/98 | R.RICE |
| N | CHANGE TO KNURLED FERRULE STUD | CZS | 3/10/00 | J. D. McR. |

ALL DIMENSIONS ARE REFERENCE ONLY

000000



SUGGESTED STRIPPING INSTRUCTIONS

CRIMP FERRULE WITH .429 CRIMP DIE

△ CRIMP CONTACT WITH .100 CRIMP DIE OR SOLDER OR BOTH

SPECIFICATIONS:

IMPEDANCE: NON CONSTANT
 WORKING VOLTAGE: 500 VRMS @ SEA LEVEL
 FREQUENCY RANGE: 0-300 GHz
 FOR RG-8, 8A, 213/U, BELDEN 8237, 8267, 9251 & 9880

DIMENSIONS ARE IN INCHES AND [MILLIMETERS]

UNLESS OTHERWISE NOTED TOLERANCES ARE:
 DECIMALS DIAMETER

RF connectors
 DIVISION OF RF INDUSTRIES, LTD.

7610 MIRAMAR RD
 SAN DIEGO, CA 92126
 (858) 549-6340
 (858) 549-6345 FAX

RFU-507-ST

UHF MALE CRIMP PLUG

| 5 | FERRULE [FER-205] | 1 | BRASS | SILVER | DRAWN C. ZUNIGA | 3/10/00 |
|------|-------------------|-----|----------|--------|-----------------------|---------|
| 4 | SHELL | 1 | BRASS | SILVER | CHECKED | |
| 3 | DIELECTRIC | 1 | PTFE | NONE | ORJ DRAWN C. JONES | 11/7/91 |
| 2 | CONTACT | 1 | BRASS | SILVER | APPROVALS | DATE |
| 1 | BODY | 1 | BRASS | SILVER | | |
| ITEM | DESCRIPTION | QTY | MATERIAL | FINISH | APPROVALS | DATE |

| | | | |
|------------|------------------|-----------------|--------------|
| SIZE A | CABLE GROUP E | DWG NO. 8058 | REV N |
| SCALE: 2:1 | | CAD FILE | SHEET 1 OF 1 |