

Test Procedure for the NCP585 Demonstration Board

ON Semiconductor®



11/02/2004

Table 1: Required Equipment

Oscilloscope	1 Multi-meter	DC Power Supply
Electrical Load	One NCP585 Evaluation Board	

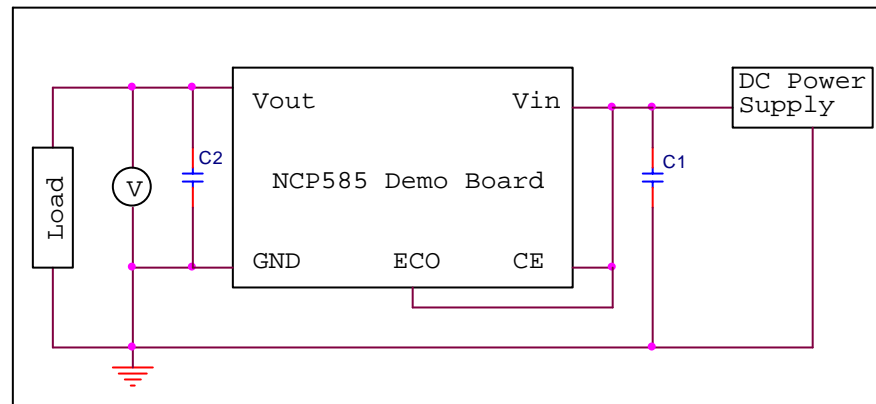


Figure 1: NCP585 Test Setup

Test Procedure:

- 1. Connect the demo board as shown in Figure 1.**
- 2. Connect the Chip Enable (pin 6) and ECO(pin 4) to the input voltage (pin 1) on the demo board. If you chose not to use the ECO pin, connect it to GND (pin 5). Set $V_{in} = V_{out} + 1.0 \text{ V}$.**
- 3. Turn on the power supply to 2.2 V at no load current. The output voltage V_{out} should be about 1.2 V.**
- 4. Adjust load current from 1.0 mA to 300 mA and use the scope to see the output voltage. Make sure it is in the range of 1.176 V~1.224 V (typical value is 1.2 V) and there is no oscillation.**