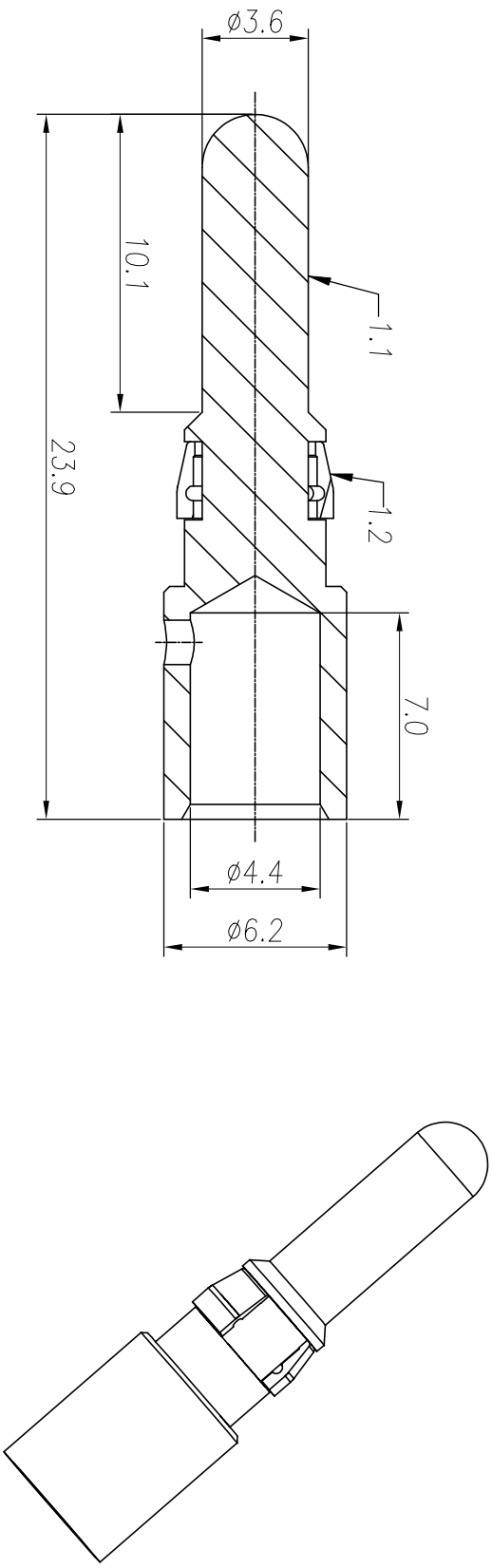


REVISIONS					
REV	ECO	DESCRIPTION	DATE	BY	APPR
A1	-	RELEASED DRAWING	Apr-9-19	Blink	Tommy



- NOTES : ( UNLESS OTHERWISE SPECIFIED )
- MATERIAL :
    - CONTACT BODY : COPPER ALLOY.
    - POSITIONING CLIP : COPPER ALLOY.
  - SPECIFICATIONS :
    - CURRENT RATING : 45A(MAX).
    - TERMINATION TYPE : CRIMPING.
    - WIRE RANGE : 8 AWG.
  - SUITABLE SOCKET : MS10A23xx-10.
  - ROHS COMPLIANT.
  - ALL DIMENSIONS ARE FOR REFERENCE USE ONLY.

P/N	CONTACT PLATING(MATING AREA)
MP10A23T-10	TIN PLATING OVER NICKEL.
MP10A23S-10	SILVER PLATING OVER NICKEL.
MP10A23F-10	GOLD FLASH PLATING OVER NICKEL.
MP10A23G5-10	5µ" GOLD PLATING OVER NICKEL.
MP10A23G10-10	10µ" GOLD PLATING OVER NICKEL.
MP10A23G15-10	15µ" GOLD PLATING OVER NICKEL.
MP10A23G30-10	30µ" GOLD PLATING OVER NICKEL.

QUANTITY	PART NUMBER	DESCRIPTION	ITEM
		<b>MATERIALS LIST</b>	
<p><b>UNLESS OTHERWISE SPECIFIED</b></p> <p>1) All dimensions are in metric/mm.            2) Dimensions are in inches.            3) PL DEC 30-18            4) PL DEC 30-18            5) Notes reference = X</p>			
<p><b>SIGNATURES</b></p> <p>DRAWN: <b>Blink</b> DATE: <b>Apr-9-19</b>            CHECKED: <b>Tid</b> DATE: <b>Apr-9-19</b>            ENGINEER: <b>Tommy</b>            APPROVAL: <b>Tommy</b> DATE: <b>Apr-9-19</b></p>		<p><b>ECO-MATE PIN CONTACT MACHINE MALE</b>            MACHINE MALE 3.6mm, (10mm2)</p>	
<p><b>Amphenol</b>            Sine Systems - www.amphenol-sine.com            44724 Morley Drive            Clinton Township, MI 48036</p>			
<p>PROCESS SPECIFICATIONS:            NEXT ASSY:</p>			
<p>SIZE: <b>B</b> TYPE: <b>C-</b> DWG NO: <b>MP10A23xx-10</b> REGION: <b>A1</b>            SCALE: NONE SHEET 1 OF 1</p>			