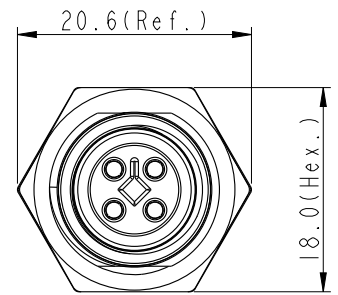
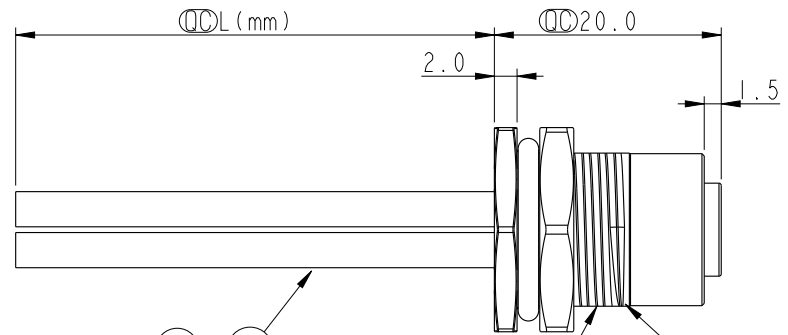
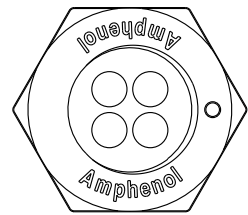


THIS DOCUMENT IS SUBJECT TO CHANGE WITHOUT NOTICE. IT IS CONFIDENTIAL AND A PROPERTY OF Amphenol LTW. DISCLOSURE TO THIRD PARTY HAS TO BE AUTHORIZED BY Amphenol LTW.

REV.	ECN NO.	DATE	SIGN	DESCRIPTION
A	Initial Release	2015-03-04	Cary	Change Rev. 01 to Rev.A

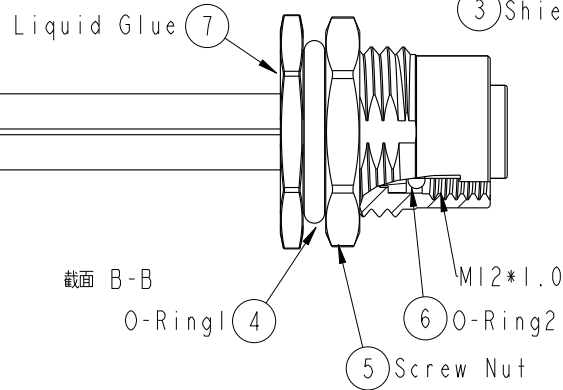
**ALTW**  
**CONFIDENTIAL**  
 2015-03-04  
**R&D DEPT.**



Wire Harness (8)~(11)  
 PG9  
 ① Connector  
 ② Female Pin  
 ③ Shield

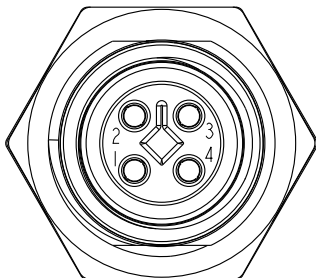
M12T-04PFFS-SF8BXX

XX: 150~1500mm  
 15: 150mm  
 30: 300mm  
 50: 500mm  
 A0: 1000mm  
 A5: 1500mm  
 Wire Length(L): 150~1500mm

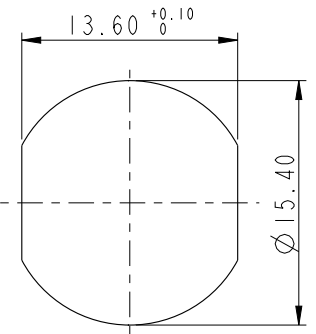


**ALTW**  
 DCC. DEPT.  
**CONFIDENTIAL**  
 2015.04.27  
**ISSUED**

- Note:
- \*  $\varnothing$  Important Dimension.
  - \* Waterproof Rate: IP68.  
 IP68: 1M Depth of Water In 24hours.
  - \* Housing: PA66, UL94V-0, Black.
  - \* Female Pin: Copper Alloy, Gold Plated.
  - \* Shield: Zinc Alloy, Nickel Plated.
  - \* Panel Nut: Zinc Alloy, Nickel Plated.
  - \* O-Ring1: Viton, Black.
  - \* O-Ring2: Viton, Green.
  - \* Wire Harness: UL1015 16AWG(1.5mm<sup>2</sup>).
  - \* Rated Voltage: 60V DC.
  - \* Rated Current at 40°C: 12A
  - \* Operation Temperature: -40~85°C.
  - \* For Panel Thickness Max 4.5mm.
  - \* Nut Torque: 4-6 Kgf.cm(0.4~0.6N.m).
  - \* Wire harness Tolerance: 150~300 ±15mm  
 301~1000 ±20mm  
 Over1000 ±40mm



Pin Assignment  
 Front View



Recommended  
 Panel Cut-Out

4	Black	黑
3	Blue	藍
2	White	白
1	Brown	棕
Conn.	Wire Color	Pin Out

UNIT: mm

TOLERANCE	
.X	±0.25
.XX	±0.1
.XXX	±0.05
ANGLES	±1°

TITLE M12 T-Code 4Pin Female Type			
SCALE 2:1	SIZE A4	SHEET 1 OF 1	
REV. A	WC-REV. A.4	$\varnothing$ : Inspection item	

**Amphenol LTW**  
 安費諾亮泰企業股份有限公司

ITEM NO.	DRAWN BY Cary	DATE 2015-03-04
DWG NO. M12T-04PFFS-SF8BXX	CHECKED BY Yu Long	DATE 2015-03-04
CUSTOMER ALTW	APPROVED BY Jerry	DATE 2015-03-04