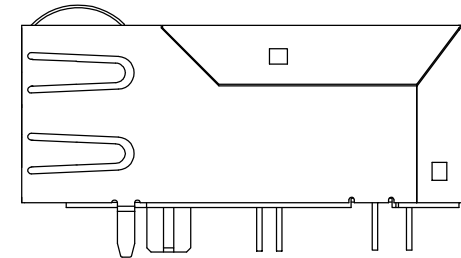
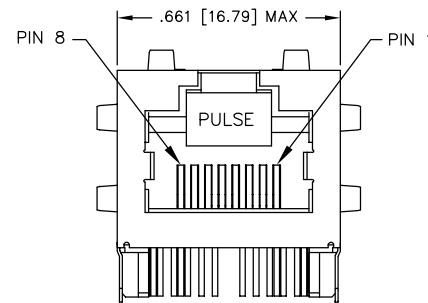
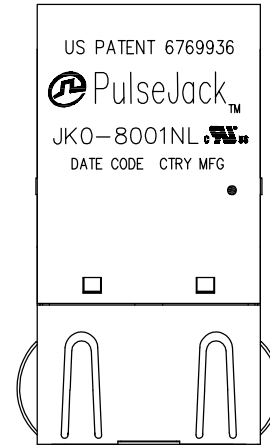




NOTES:

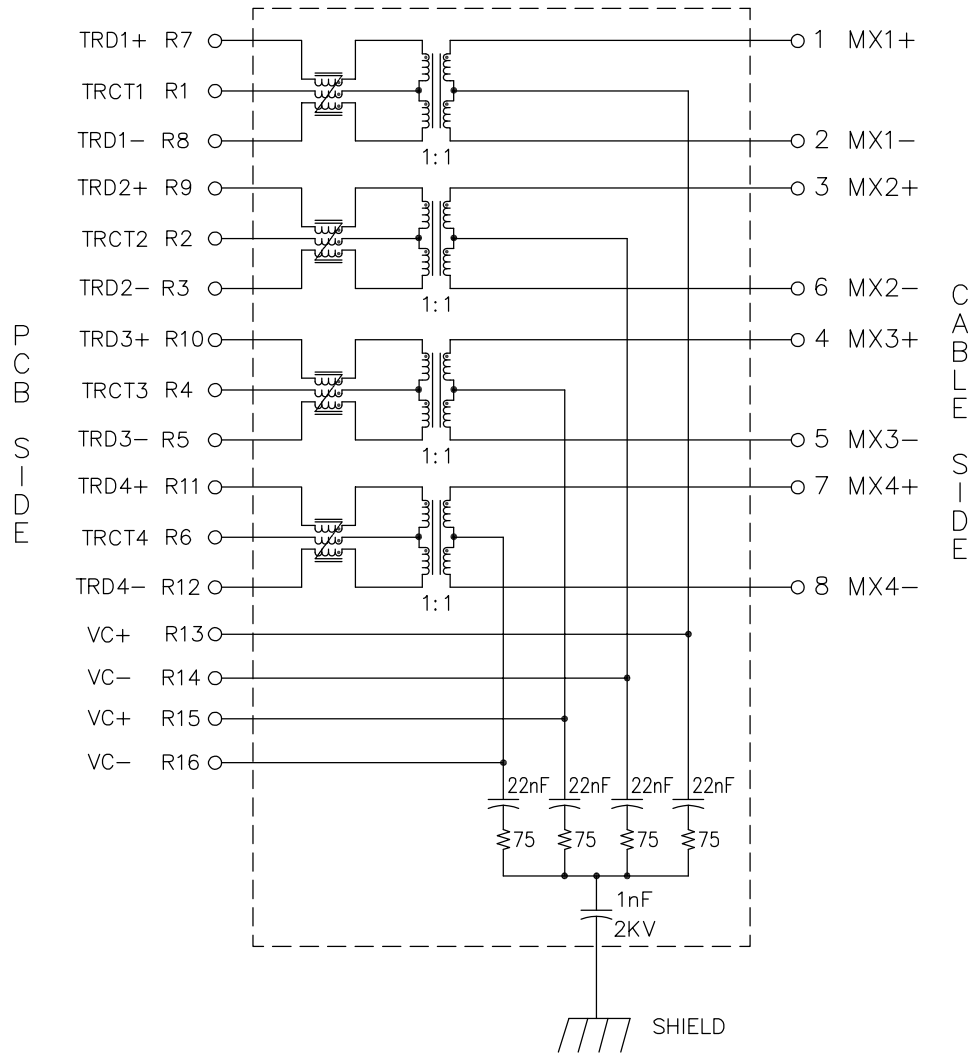
1. ROHS COMPLIANT
2. PLASTIC HOUSING: THERMOPLASTIC MATERIAL WITH FLAMMABILITY RATING UL 94V-0 OR BETTER.
3. CONTACTS PLATING: 30 MICRO-INCH GOLD PLATING.
4. CONTACTS BASE MATERIAL: PHOSPHOR BRONZE
5. UNDER PLATING: 30-50u INCHES NICKEL
6. SOLDER TAIL PLATING : 200-500 uINCHES 100% TIN, MATTE FINISH.
7. METAL SHIELD: NICKEL PLATING ON COPPER ALLOY.
8. JACK CAVITY CONFORMS TO FCC PART 68 SUBPART.
9. PCB PLATING: HASL
10. STORAGE TEMPERATURE: -20°C TO +125°C
11. COMPLIANCE TO J-STD:
 - A. J-STD-002: SOLDERABILITY AT 245°C DIP AND LOOK TEST
 - B. J-STD-020: LEVEL 1, NO MOISTURE SENSITIVE
 - C. J-STD-075: W2, 270°C MAXIMUM THROUGH WAVE SOLDER



FINAL OUTLINE

© Copyright, 2017. Pulse Electronics Corp. All rights reserved. Pulse confidential & proprietary. (07/10/17)

PRODUCT DESCRIPTION	TLA DRAWING	PS DRAWING	SHEET	PART NO.	DATASHEET REV.
CONN,RJ45,1X1,HDBT,1:1,TY	JKO-8001NL-X1	PS-XXXX	1 OF 5	JKO-8001NL	C



SCHEMATIC

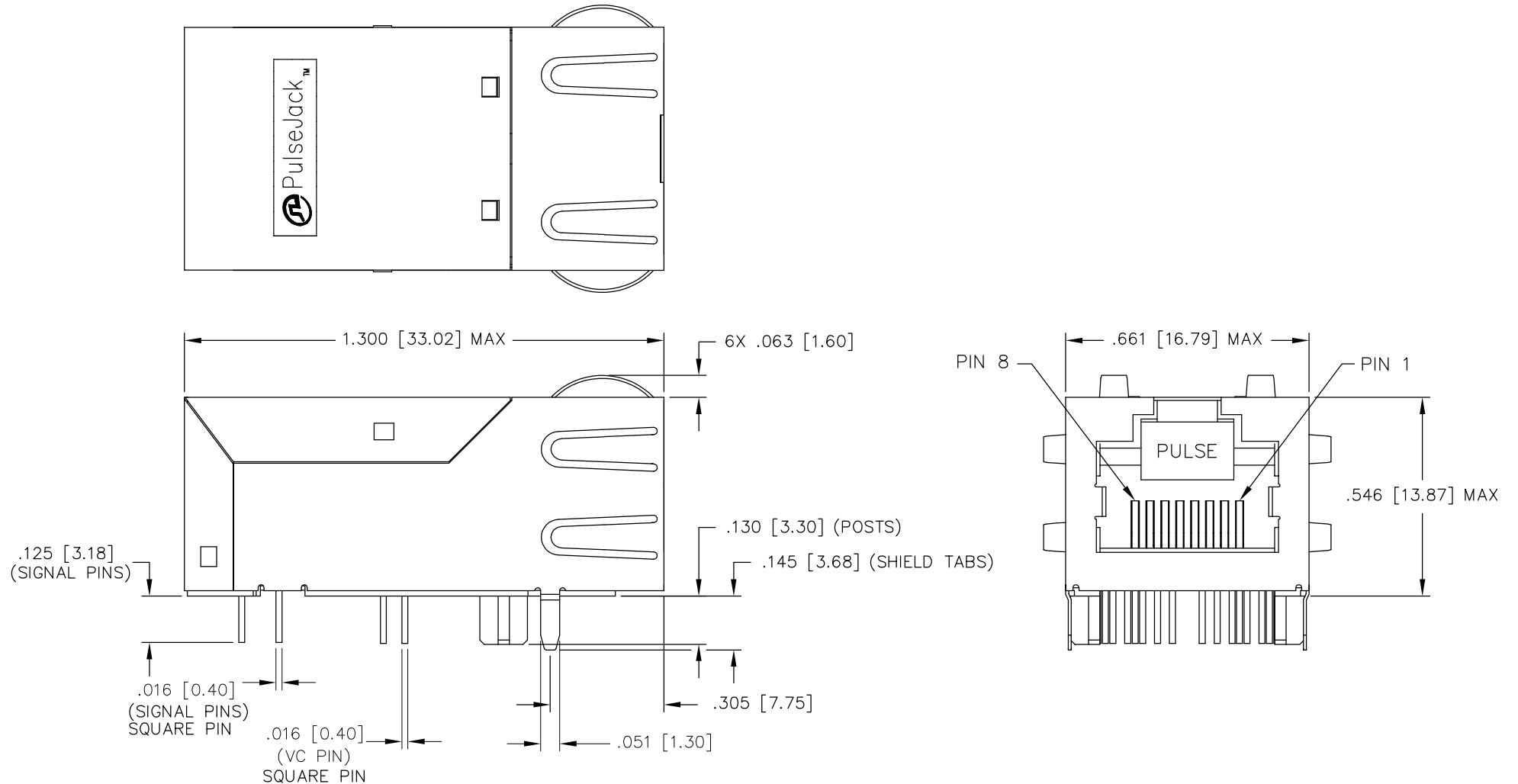
ELECTRICAL CHARACTERISTICS AT +25°C UNLESS OTHER SPECIFIED
MEETS HDBASET SPECIFICATION

PARAMETER	SPECIFICATIONS			
OPERATING TEMPERATURE	-0°C TO +85°C			
TURNS RATIO	1.00 ± 2%			
POLARITY	PER SCHEMATIC			
INSERTION LOSS	100 KHz	1-300 MHz	400 MHz	500 MHz
	-3.0 dB MAX	-1.5 dB MAX	-2.5 dB MAX	-3.0 dB MAX
RETURN LOSS (Z OUT = 100 OHM ± 1%)	1-100 MHz	100 MHz-300 MHz	400 MHz-500 MHz	
	-24 dB MIN	-24+18.27*LOG ₁₀ (f/100)	-10+20*LOG ₁₀ (f/400)	
INDUCTANCE (OCL)	160 uH MIN @ 100 kHz, 100 mV WITH 8 mA DC BIAS			
CROSSTALK, ADJACENT CHANNELS	1-100 MHz		100-500 MHz	
	-30 dB MIN		-22 dB MIN	
COMMON MODE REJECTION RATIO	1-100 MHz	100-300 MHz	300-500 MHz	
	-35 dB MIN	-30 dB MIN	-25 dB MIN	
COMMON TO DIFFERENTIAL MODE REJECTION (CDMR)	1-250 MHz		250-500 MHz	
	-30 dB MIN		-25 dB MIN	
DC CURRENT/VOLTAGE RATING	350 mA MAX @ 57 V (CONTINUOUS)			
INPUT - OUTPUT ISOLATION	2250 VDC MIN @ 60 SECONDS			

NOTE: f IS FREQUENCY IN MHZ.

© Copyright, 2017. Pulse Electronics Corp. All rights reserved. Pulse confidential & proprietary. (07/10/17)

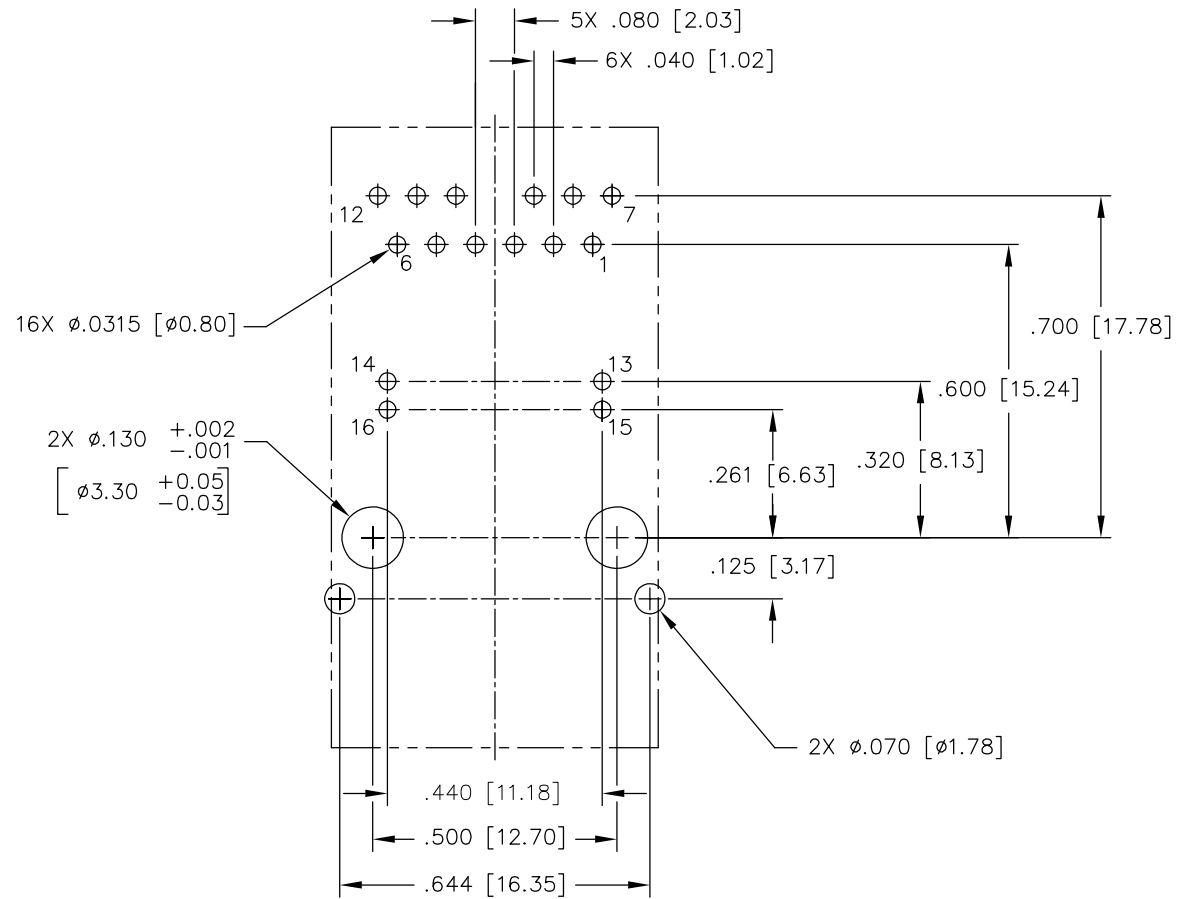
PRODUCT DESCRIPTION	TLA DRAWING	PS DRAWING	SHEET	PART NO.	DATASHEET REV.
CONN,RJ45,1X1,HDBT,1:1,TY	JKO-8001NL-X1	PS-XXXX	2 OF 5	JKO-8001NL	C



SQUARE PIN
DIMENSIONS ARE IN INCHES [MILLIMETERS] WITH THE FOLLOWING
TOLERANCES: [MILLIMETERS] ARE FOR REFERENCE ONLY.
.XX= ±.02 [±0.50]
.XXX= ±.010 [±0.25]

© Copyright, 2017. Pulse Electronics Corp. All rights reserved. Pulse confidential & proprietary. (07/10/17)

PRODUCT DESCRIPTION	TLA DRAWING	PS DRAWING	SHEET	PART NO.	DATASHEET REV.
CONN,RJ45,1X1,HDBT,1:1,TY	JKO-8001NL-X1	PS-XXXX	3 OF 5	JKO-8001NL	C

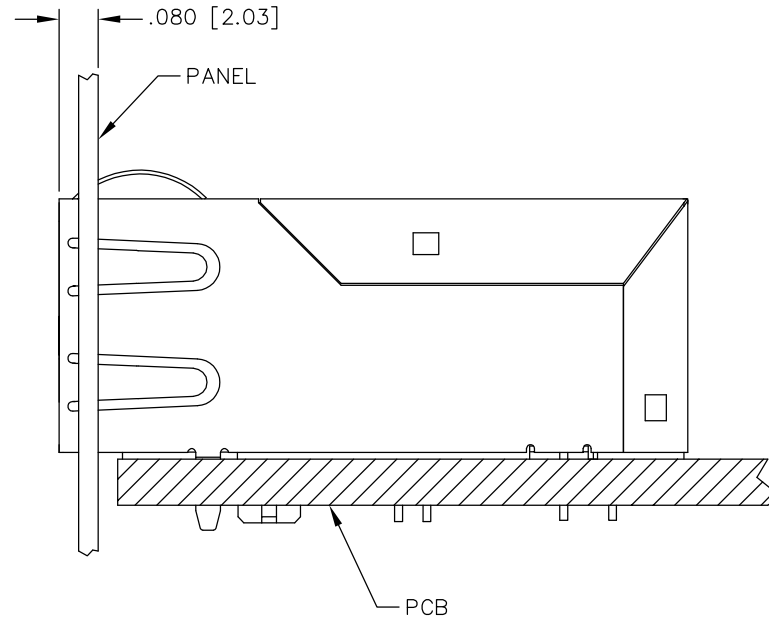
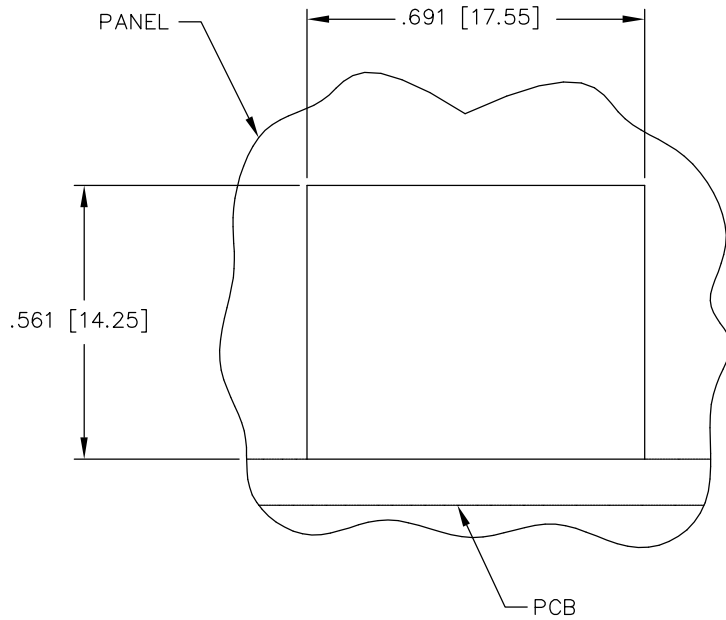


FRONT OF CONNECTOR
SUGGESTED PCB LAYOUT
(COMPONENT SIDE SHOWN)

DIMENSIONS ARE IN INCHES [MILLIMETERS] WITH THE FOLLOWING TOLERANCES: [MILLIMETERS] ARE FOR REFERENCE ONLY.
.XXX= ±.003 [±0.08]

© Copyright, 2017. Pulse Electronics Corp. All rights reserved. Pulse confidential & proprietary. (07/10/17)

PRODUCT DESCRIPTION	TLA DRAWING	PS DRAWING	SHEET	PART NO.	DATASHEET REV.
CONN,RJ45,1X1,HDBT,1:1,TY	JKO-8001NL-X1	PS-XXXX	4 OF 5	JKO-8001NL	C



SUGGESTED PANEL CUTOUT

DIMENSIONS ARE IN INCHES [MILLIMETERS] WITH THE FOLLOWING TOLERANCES: [MILLIMETERS] ARE FOR REFERENCE ONLY.
 .XX= ± 0.02 [± 0.50]
 .XXX= ± 0.010 [± 0.25]

© Copyright, 2017. Pulse Electronics Corp. All rights reserved. Pulse confidential & proprietary. (07/10/17)

PRODUCT DESCRIPTION	TLA DRAWING	PS DRAWING	SHEET	PART NO.	DATASHEET REV.
CONN,RJ45,1X1,HDBT,1:1,TY	JKO-8001NL-X1	PS-XXXX	5 OF 5	JKO-8001NL	C