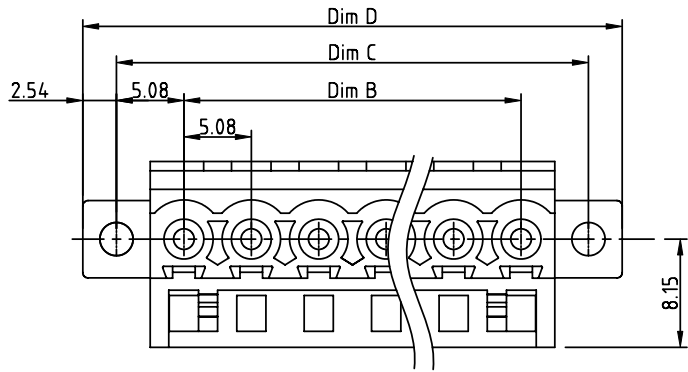


PRODUCT NUMBER	PITCH
HPxx50x200J0G	5.08 mm

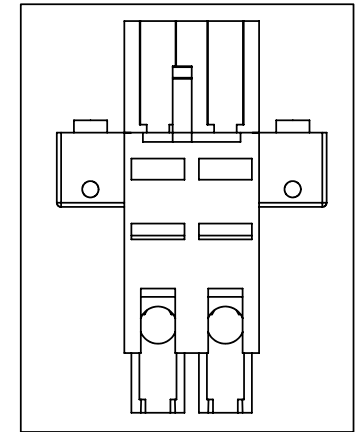


N=Number of poles  
 Dim A=Nx5.08  
 Dim B=(N-1)x5.08  
 Dim C=(N-1)x5.08+10.16  
 Dim D=(N-1)x5.08+15.24

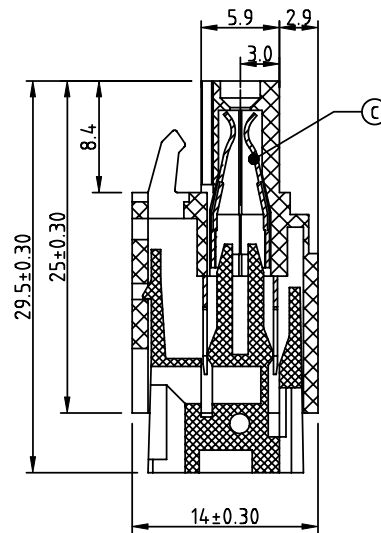
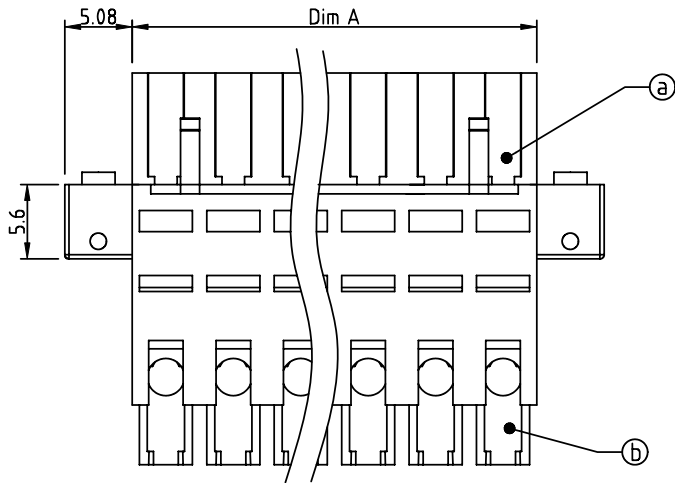
Poles	Dim A	Dim B
2-6p	±0.15	±0.10
7-12p	±0.20	±0.20
13-18p	±0.30	±0.25
19-24p	±0.40	±0.30

PART NO.: HP xx 50 x 2 00J0 G

- |              |                     |  |
|--------------|---------------------|--|
| Solid block  | Color               | RoHS compliant (lead<4%) in copper Alloy |
| No. of poles | 0 Black (RAL9005)   |  |
| 02 2 poles   | 2 Red (RAL3001/D)   |  |
| 03 3 poles   | 3 Orange(RAL2011/P) |  |
| ...          | 4 Yellow(RAL1018/A) |  |
| ...          | 5 Green(RAL6018/T)  |  |
| 24 24 poles  | 6 Blue (RAL5015/A)  |  |
|              | 8 Grey(RAL7035/D)   |  |
|              | 9 White(RAL1102)    |  |
|              | C Green(RAL6018/U)  |  |



2P mark

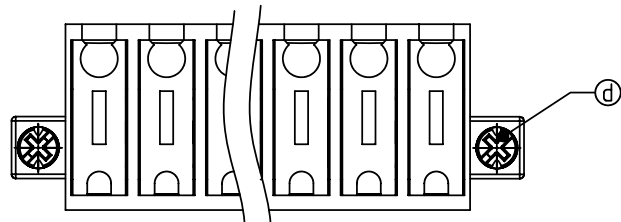


Material:

- Item (a) Terminal body: Thermoplastic ( UL94V-0 )
- Item (b) Terminal lever: Thermoplastic ( UL94V-0 ) Orange(RAL 2011/P)
- Item (c) Female contact: PhBz ( CuSn ) Tin plated
- Item (d) Flange screw: Steel M2.5 plated zinc

Electrical cULus

- Voltage rating: 300V
- Current rating: 7A
- Wire range:
- Solid wire(AWG): 18-22
- Stranded wire(AWG): 18-22
- Withstanding Voltage: 1.6KV
- Operating temperature: -40°C to +115°C
- Safety Approval:



mat'l. code		surface ASME Y14.5 ✓	tolerance ASME Y14.5	projection	product family
ltr ecn no dr date		tolerances unless otherwise specified			TERMINAL BLOCK
		angles	X.±0.5	scale	title
		X°±1'	X.X±0.3		TERMINAL BLOCK
			X.XX±0.1		SPRING CLAMP, IDC TYPE, PLUGGABLE PLUG, WITH FLANGE
		dr	EVIN ZHONG 051414		dwg no
		enr	EVIN ZHONG 051414		sheet 1 of 1
		chr	HANKE FENG 051414		size
		appd	SHI JUN 051414		A4
sheet index		revision	A	type	
sheet		1		CUSTOMER Drawing	