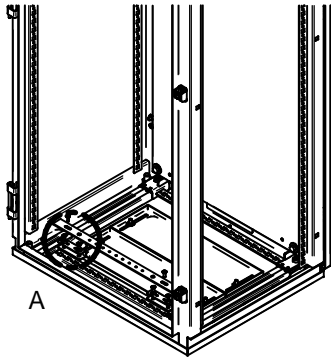


# GRDBAR- SERIES

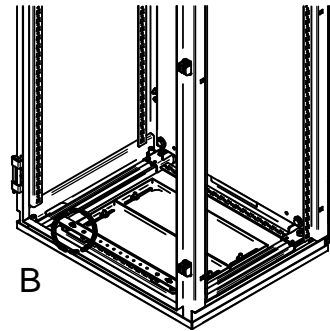
BUL10415

REV. A

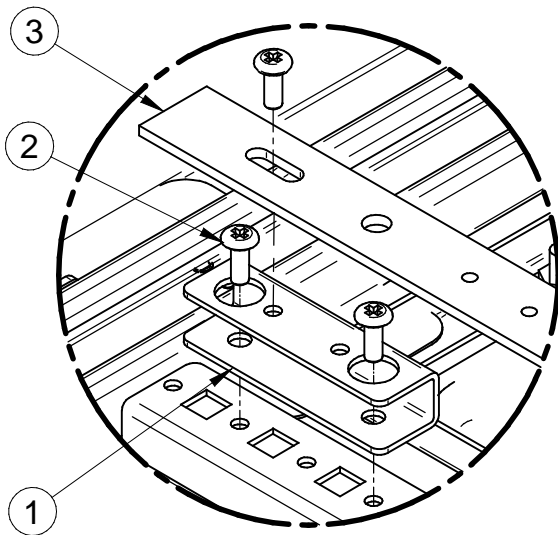
## ASSEMBLY INSTRUCTIONS FOR GRDBAR - HME GROUND BAR



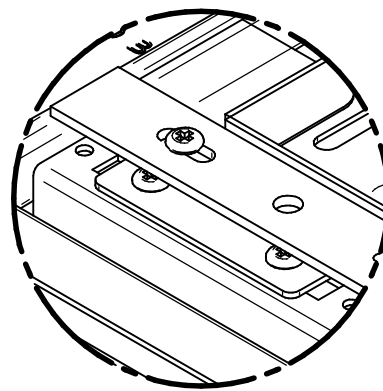
A



B



DETAIL A  
TYP  
BOTH SIDES



DETAIL B  
TYP  
BOTH SIDES

### INSTRUCTIONS:

A) ALIGN SPACER BRACKETS (ITEM#1) TO ROUND HOLES IN FRAME AS SHOWN (SECOND HOLE FROM EDGE), (SEE DETAIL A).

B) SECURE BRACKETS TO FRAME USING SCREWS (ITEM #2).

C) ALIGN HORIZONTAL GROUND BAR (ITEM#3) TO ROUND HOLES IN SPACER BRACKET AS SHOWN AND SECURE USING SCREWS.

**\*\*NOTE: GROUND BAR CAN BE MOUNTED LEFT TO RIGHT AT THE FRONT OR REAR OF THE FRAME\*\***

ITEM	DESCRIPTION	QTY
1	SPACER BRACKET	2
2	SCREW #12X1/2 PAN HEAD PH	6
3	HORIZ. GROUND BAR	1

TOOL BOX



Phillips  
Screw Driver



**HAMMOND  
MANUFACTURING™**  
www.hammondmfg.com