



**RADIAL**<sup>®</sup>  
Fibre Optic Components

**TECHNICAL DATA SHEET**

**F 709 097 XXX**

**Titre: ST2 MULTIMODE PLUG  $\varnothing$ 128 $\mu$ m CERAMIC FERRULE CABLE  $\varnothing$ 2 to 2.2**

Series  
F709

Issue:  
06-04-00

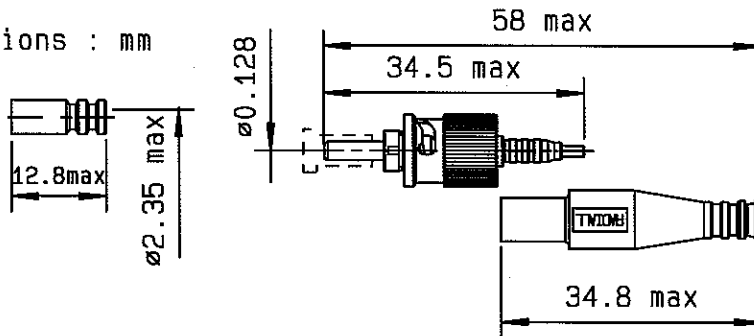
Page  
1/1

PACKAGING : SINGLE **F 709 097 000**

PACK OF 100 **F 709 097 200**

mm to inch : 0.03937

Dimensions : mm



BOOT :  
- COLOUR BLACK  
- INFLAMMABILITY : V1 (UL94)  
- MATERIAL IN ACCORDANCE WITH  
BELLCORE GR 326 CORE  
Issue 2, par. 3.3.1

BODY :  
- BRASS  
- NICKEL PLATED

**GENERAL**

- TYPE : - IEC 1754-2 Type BFOC/2.5 - "ST2"  
- Ceramic Zirconia ferrule 20 mm pre-radius  
- Bayonet latching system
- FIBRE : - Multimode 62.5/125
- CABLE : - Cable  $\varnothing$ 2 to 2.2 mm (Hex. 3.84)
- WIRING : ASSEMBLY PROCEDURE 503 08 390  
- For a tight cable  $\varnothing$ 2 with aramid strength member and a coated fiber  $\varnothing$ 0.9 :  
----- See procedure F709PC39

**CHARACTERISTICS**

(Depending on fibre or cable construction)

- OPTICAL: Typical insertion loss (IEC 1300-3-4, Methode B or CECC 86000 Methode 7) with adaptor F709730000 at 850 nm.
- Typical : 0.25 dB
  - Standard deviation : 0.08 dB
  - Reproducibility ; 0.05 dB
- Return loss (IEC 61300-3-6 Methode B or CECC Methode 3, OTDR) :
- >30 dB (PC)
- MECHANICAL :
- Mating life : 500 mating cycles
  - Fibre retention : 5 N
  - Cable retention : 100 N
  - Jacket retention : 10 N (depending of the material)
  - Vibrations : 10-55Hz, 1.5 mm
- ENVIRONMENTAL:- Climatic category : 25/70/4 0.2 dB

**CREATION**

N° : EPF 9752-2	06-04-00	Change protective cap	LAHERA	LW
Name : BECAVIN K.	03-17-99	ASSEMBLY PROCEDURE REFERENCE	VALENCIA	
Date : 08-11-98	08-11-98	First issue	VALENCIA	
Verif.: VALENCIA	Issue	Revisions	Name	Approved