

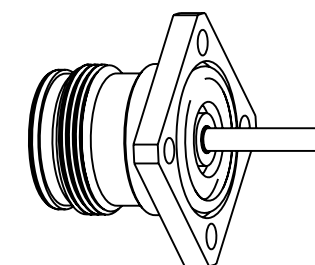
NOTES:

1. MATERIALS AND FINISHES:
  - BODY - BRASS, WHITE BRONZE PLATING
  - CONTACT-OUTER - PHOSPHOR BRONZE, SILVER PLATING
  - CONTACT - BeCu, SILVER PLATING
  - INSULATOR - PTFE, NATURAL
  - GASKET - SILICONE RUBBER, RED
2. ELECTRICAL:
  - A. IMPEDANCE: 50 OHM
  - B. FREQUENCY RANGE: DC - 6 GHz
  - C. VSWR: 1.08 MAX.@ DC - 3 GHz
  - D. INSERTION LOSS: 0.05XSQRT[F(GHz)] dB MAX.
  - E. VOLTAGE RATING: 500 VRMS
  - F. DIELECTRIC WITHSTANDING VOLTAGE: 2500 VRMS MIN.
  - G. INSULATION RESISTANCE: 5000 MΩ MIN.
  - H. INTERMODULATION 3RD ORDER: -166 dBc MAX. (2 X 43 dBm)
3. MECHANICAL:
  - A. DURABILITY: 100 CYCLES MIN.
  - B. TEMPERATURE RANGE: -65° C TO +165° C
  - C. COMPATIBLE WITH ALL STANDARD 4.3/10 PLUGS
4. PACKAGING:
  - A. QUANTITY: PACK 10PCS/TRAY
  - B. MARKING: TRAY TO BE MARKED "AMPHENOL RF, 431-131J-52S, AND DATE CODE"

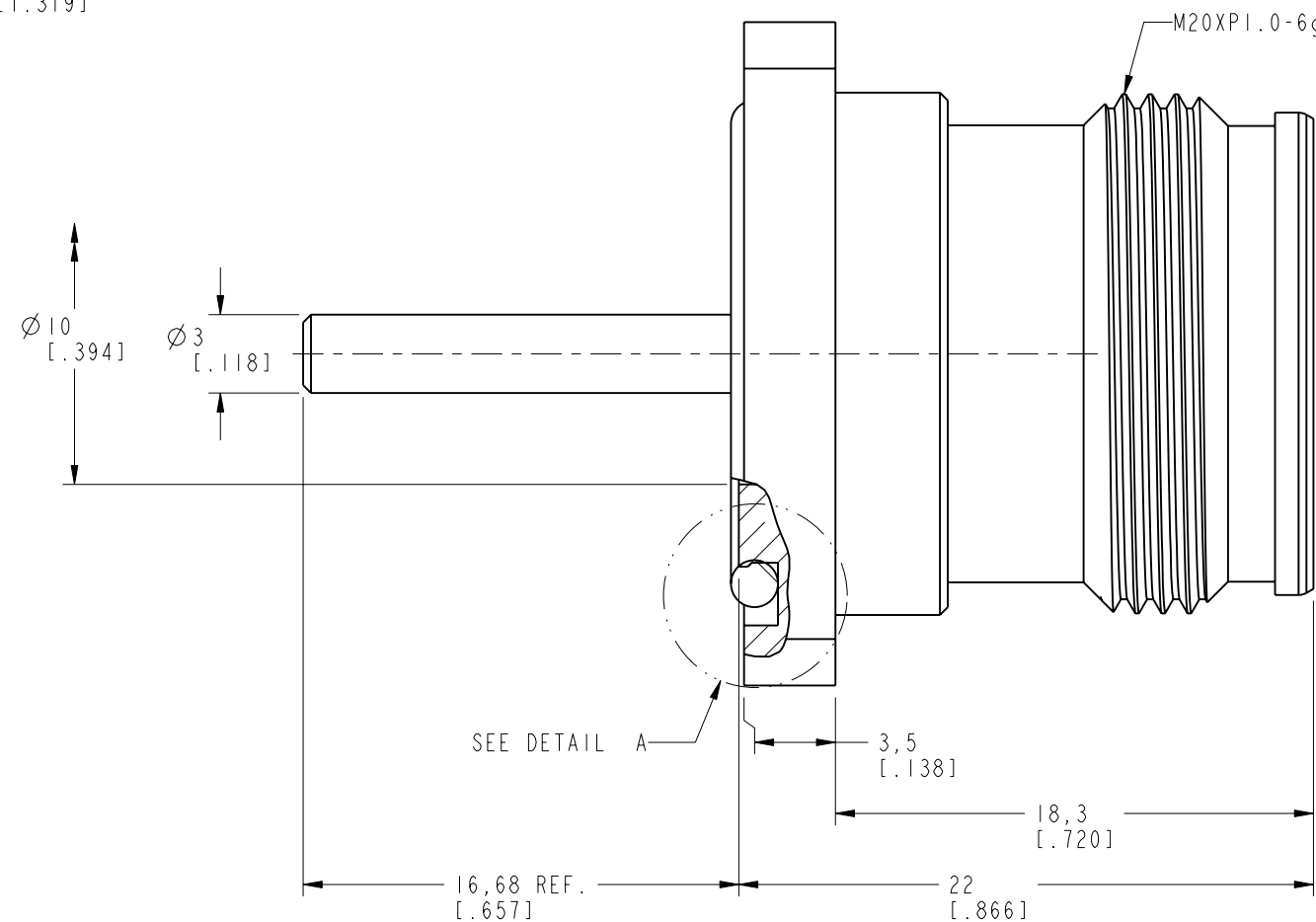
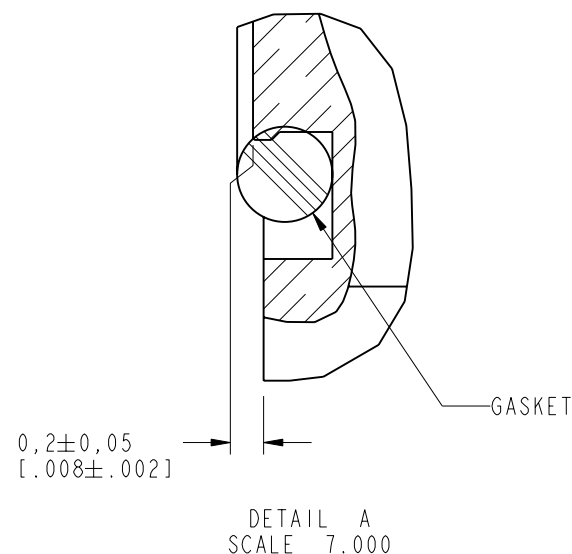
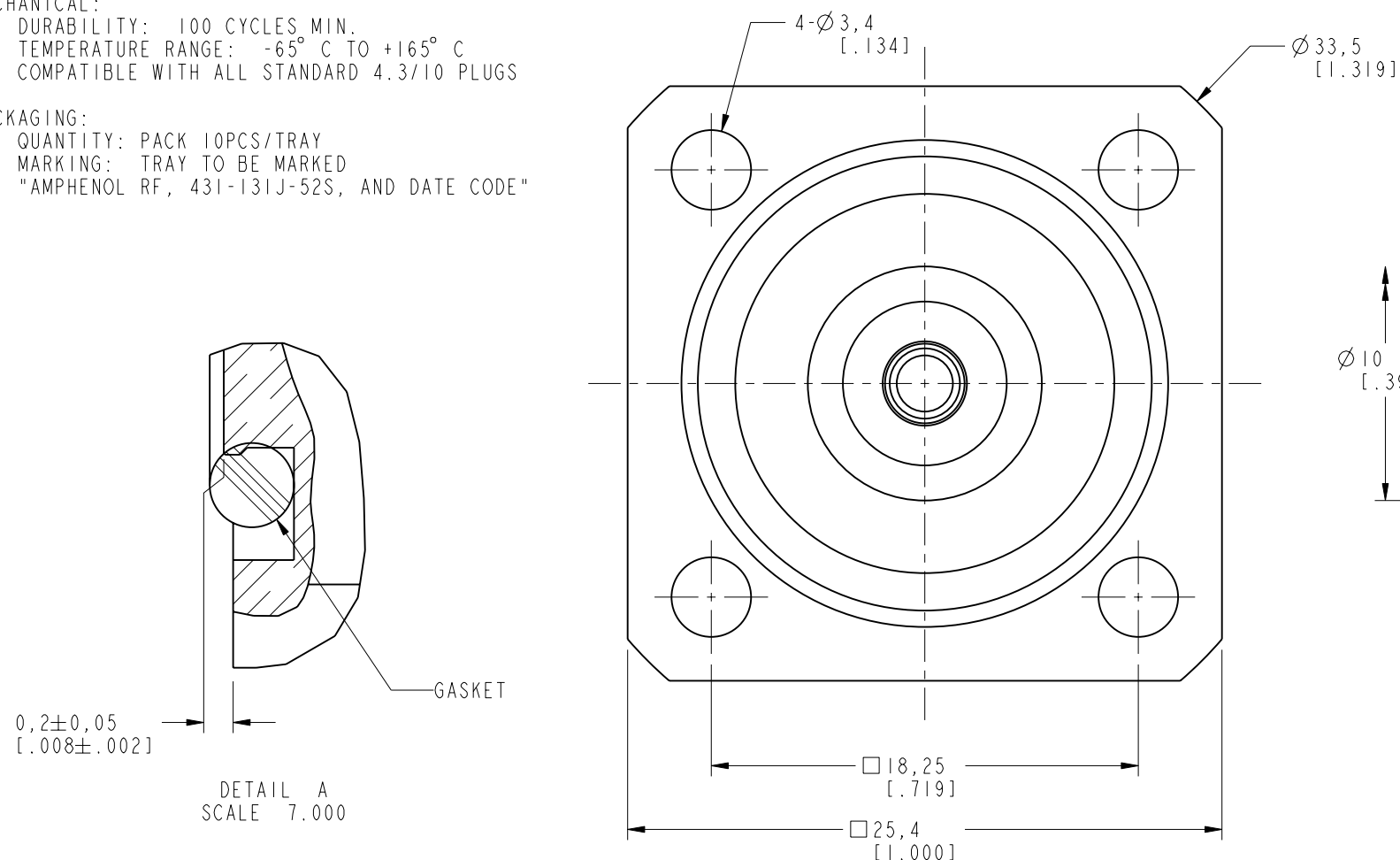
THIRD ANGLE PROJ.

REVISIONS

REV	DESCRIPTION	DATE	ECO	APPR
A	RELEASE TO MFG.	09-Aug-16	01321	KCE
B	NOTE 3A 100 WAS 500	1/9/17	02802	KCE



SCALE 1.000



**CUSTOMER OUTLINE DRAWING**

ALL OTHER SHEETS ARE FOR INTERNAL USE ONLY

UNLESS OTHERWISE SPECIFIED, DIMENSIONS ARE IN METRIC AND TOLERANCES ARE: <0.5mm ±0.05mm    0.5 - 6mm ±0.1mm    6 - 30mm ±0.2mm    30 - 120mm ±0.3mm    ANGLES ±1°	MATERIAL	DRAWN K. SONG	DATE 16-Jan-17	TITLE 4.3-10 PANEL JACK POST CONTACT IP67		Amphenol RF Danbury CT USA, Tainan, Taiwan, Shenzhen, China www.amphenolrf.com	
	REFERENCE EAR # 6645 HUBER+SUHNER P/N: 23_4310-50-0-5/003_-	ENGINEER JEKY C.	DATE 21-Mar-16				
NOTICE - These drawings, specifications, or other data (1) are, and remain the property of Amphenol corp. (2) must be returned upon request; and (3) are confidential and not to be disclosed to any person other than those to whom they are given by Amphenol Corp. the furnishing of these drawings, specifications, or other data by Amphenol Corp., or to any other person to anyone for any purpose is not to be regarded by implication or otherwise in any manner licensing, granting rights to permitting such holder or any other person to manufacture, use or sell any product, process or design, patented or otherwise, that may in any way be related to or disclosed by said drawings, specifications, or other data.	FINISH	APPROVED S. HSIEH	DATE 17-Jan-17	SCALE: 3.5:1.0	SHEET 2 OF 2	ITEM NO. 886551AP02AB5F	PART NO. 431-131J-52S
			CAD FILE		DWG SIZE B	REV B	