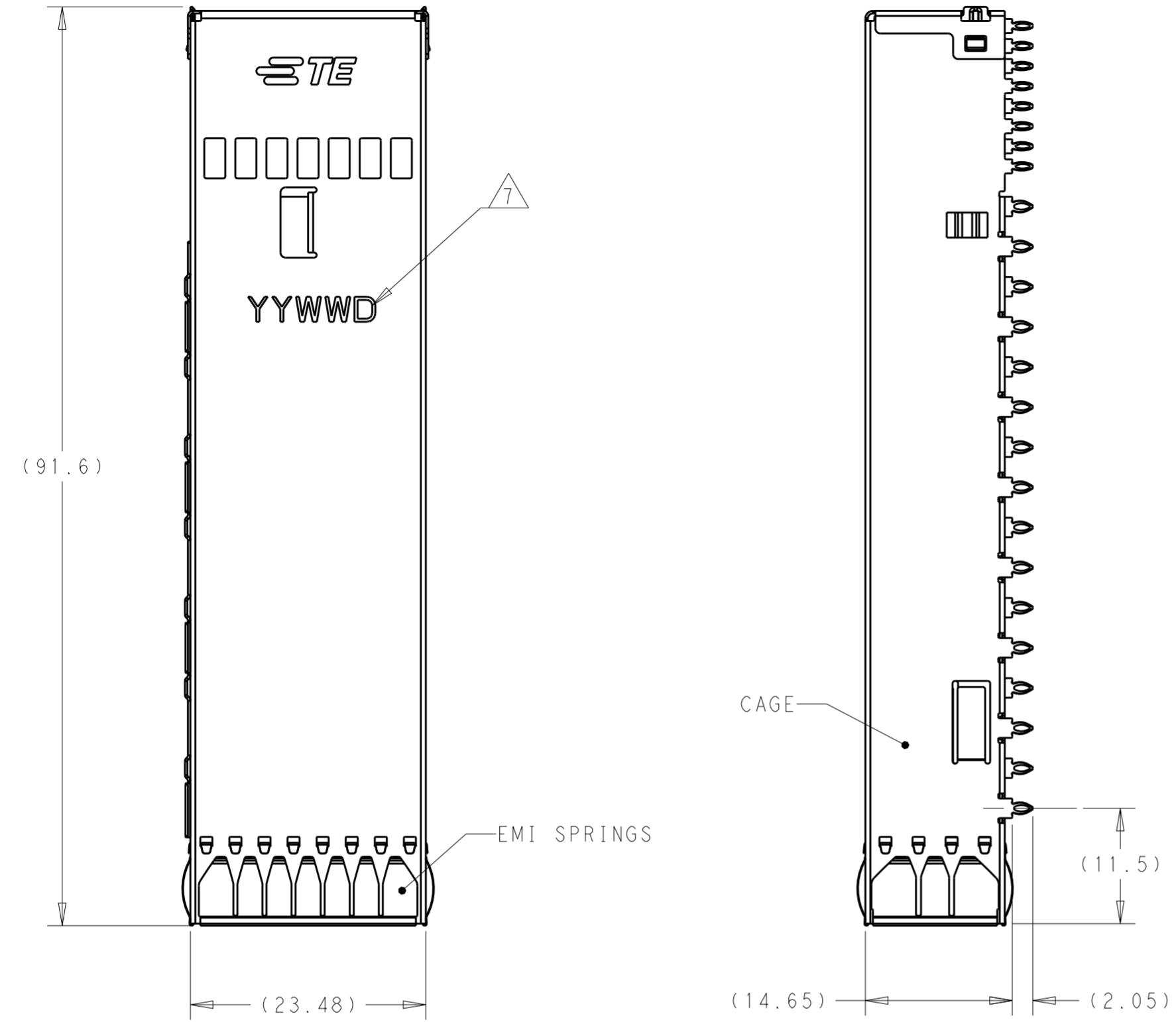
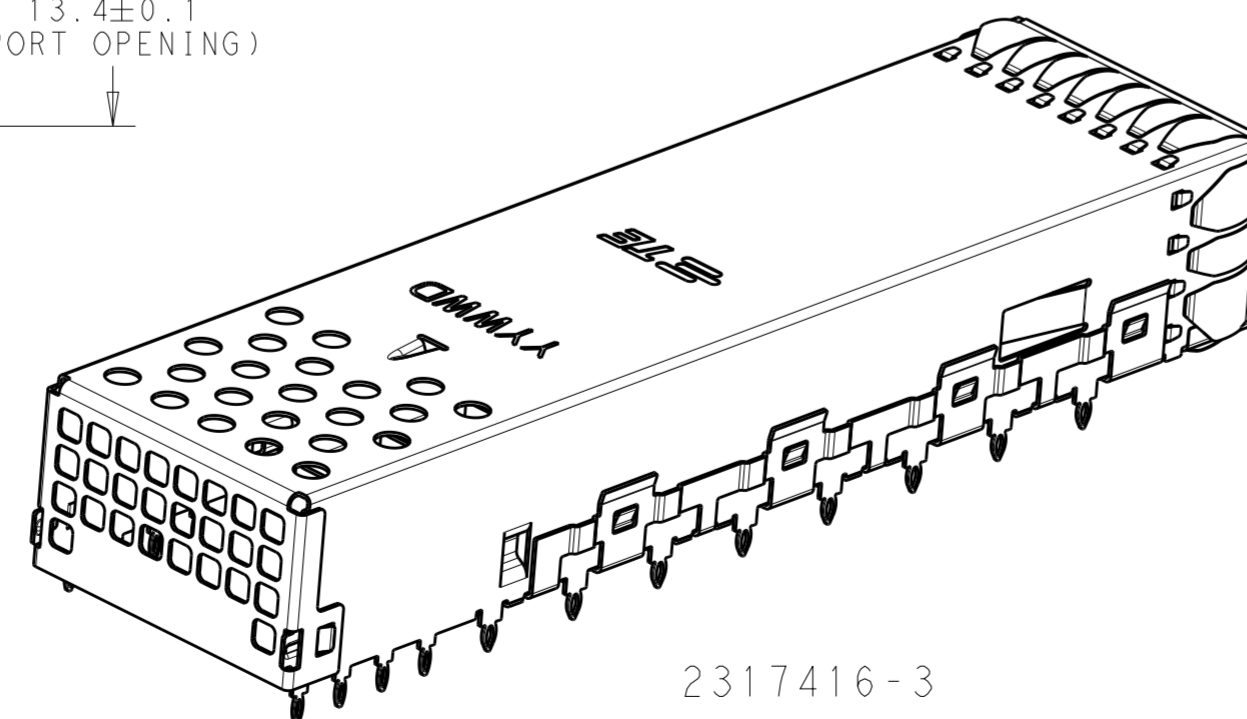
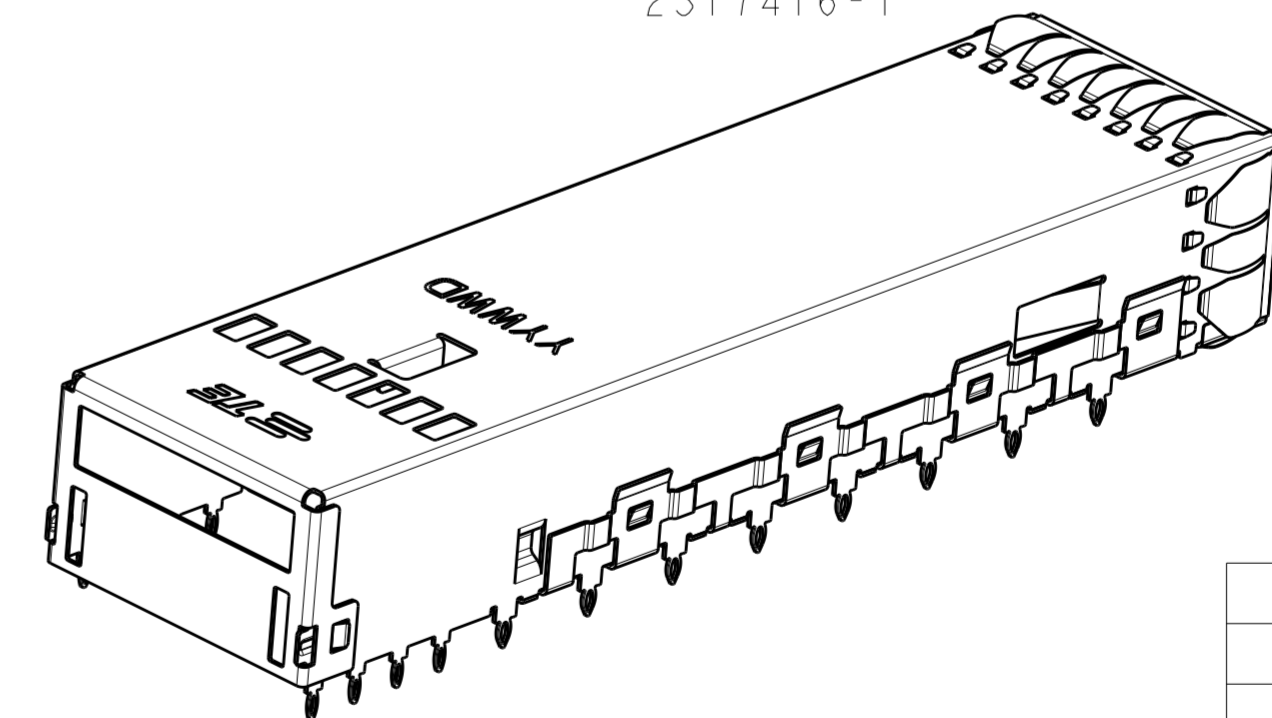
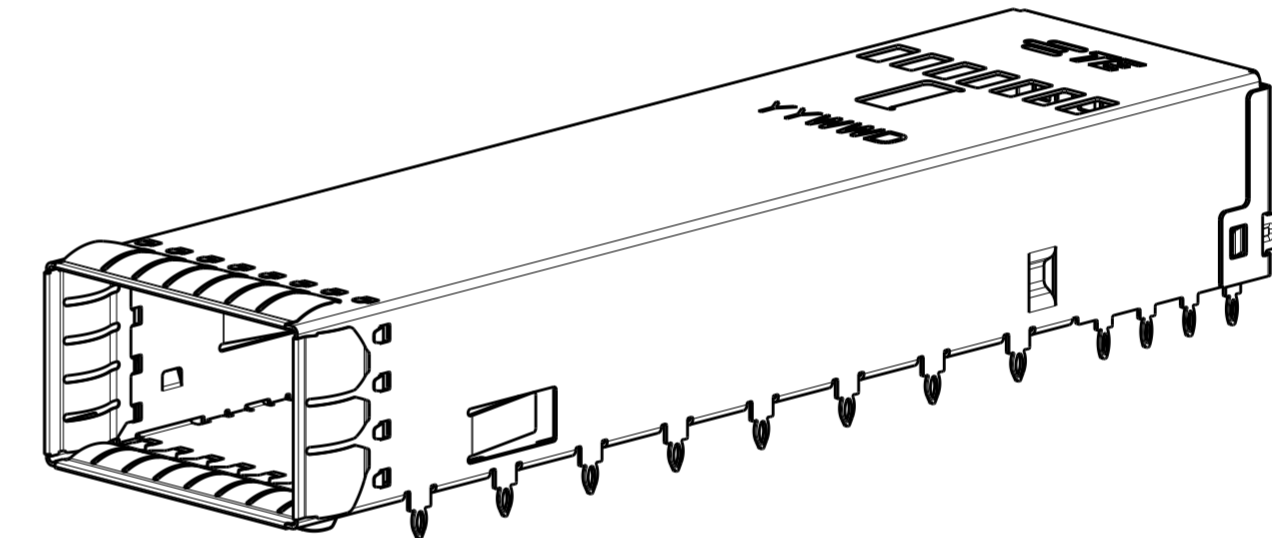


THIS DRAWING IS UNPUBLISHED. RELEASED FOR PUBLICATION 20  
 © COPYRIGHT 20 BY - ALL RIGHTS RESERVED.

REVISIONS					
P	LTR	DESCRIPTION	DATE	DWN	APVD
A		RELEASED PER ECO-18-008361	28MAY2018	CJV	EDB
B		REVISED PER ECO-18-009057	12JUN2018	MS	EB
C		ADDED -3 PART	18JUN2019	CJV	EDB
D		REVISED PER ECO-20-002354	05DEC2019	ES	SH



- 1 CAGE- 0.25mm THICK STAINLESS STEEL.  
EMI SPRING- COPPER ALLOY.
- 2 FINISH:  
EMI SPRING- 1.27µm NICKEL PLATING OVER ALL.
- 3. MATES WITH OSFP MSA COMPLIANT TRANSCEIVERS.
- 4 DATUM AND BASIC DIMENSION ESTABLISHED BY CUSTOMER.
- 5. MINIMUM PC BOARD THICKNESS:  
SINGLE SIDE = 1.5 MM  
DOUBLE SIDE = 2.1 MM
- 6 REFERENCE APPLICATION SPEC 114-XXXX, FOR  
RECOMMENDED DRILL HOLE DIAMETER AND PLATING THICKNESS.
- 7 DATE CODE MADE IN APPROXIMATE AREA.

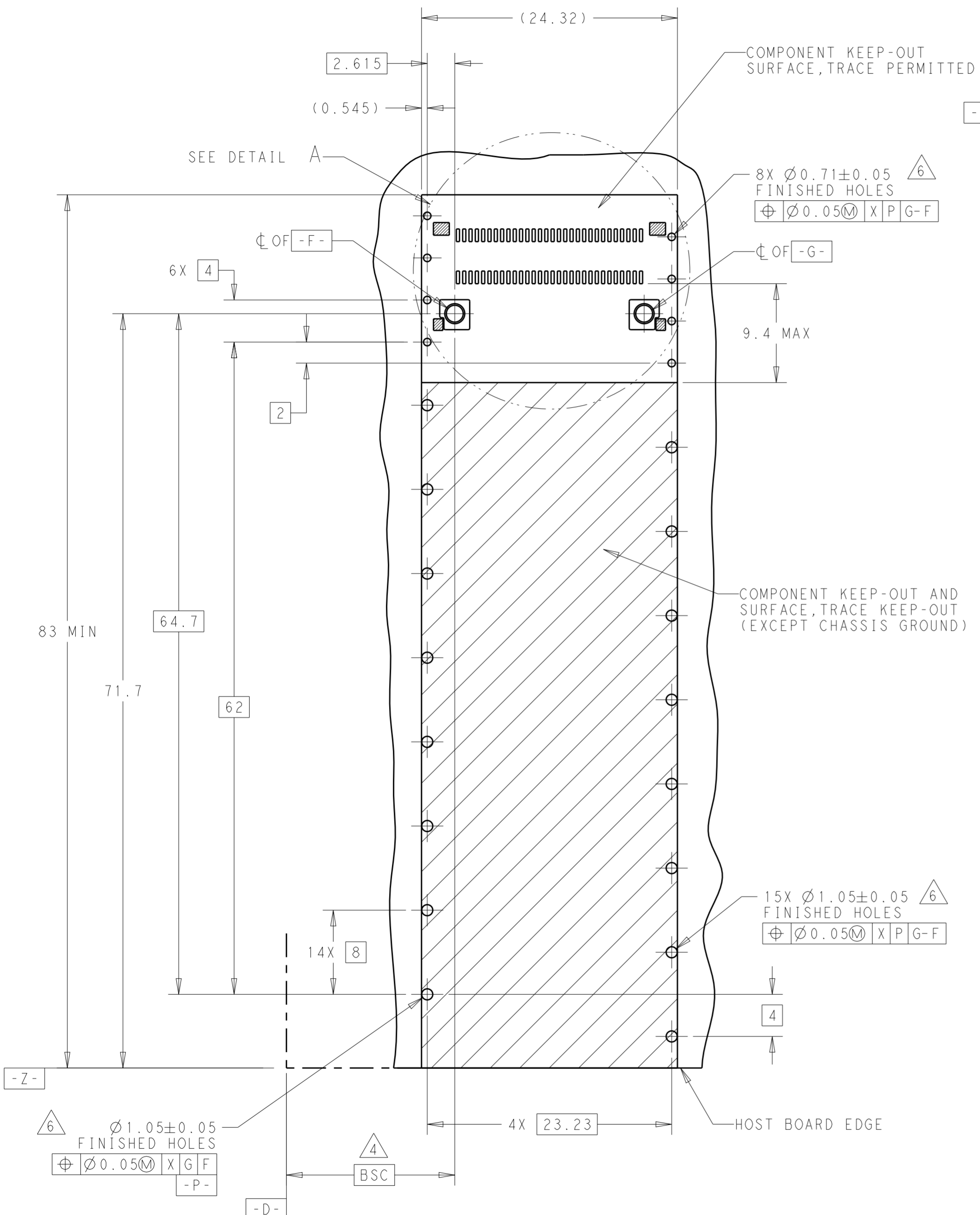


2317416-3
2317416-2
2317416-1
PART NUMBER

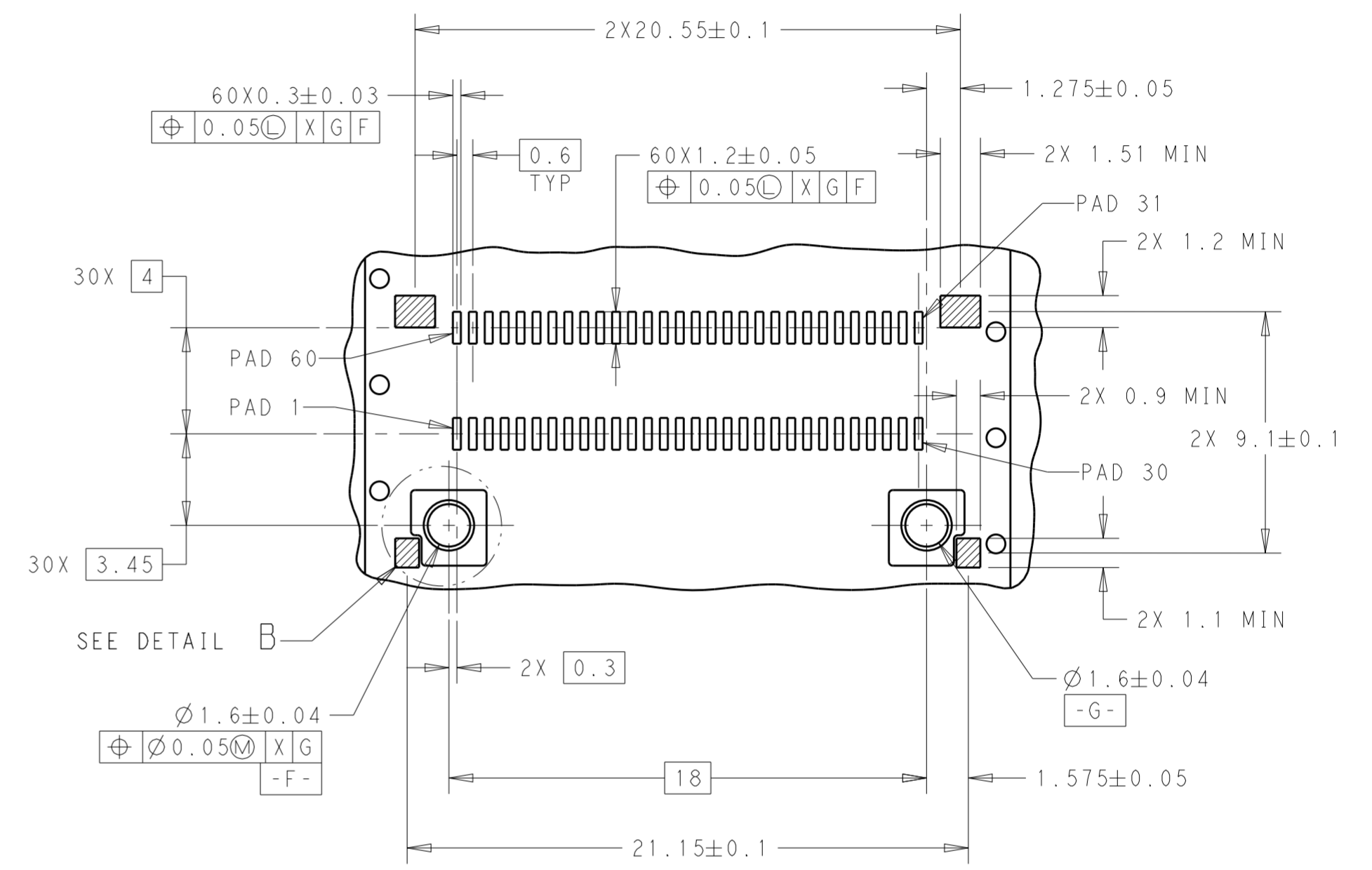
THIS DRAWING IS A CONTROLLED DOCUMENT.		DWN ANDY XIE 15MAR2017	TE Connectivity		
DIMENSIONS: mm		CHK SEAN HAN 15MAR2017			
TOLERANCES UNLESS OTHERWISE SPECIFIED:		APVD SEAN HAN 15MAR2017	NAME CAGE ASSEMBLY, 1X1, OSFP		
0 PLC ±		PRODUCT SPEC 108-60117	SIZE A2		
1 PLC ±0.25		APPLICATION SPEC 114-130009	CAGE CODE -		
2 PLC ±0.15		WEIGHT -	DRAWING NO. C-2317416		
3 PLC ±		CUSTOMER DRAWING	RESTRICTED TO -		
4 PLC ±		SCALE 2:1	SHEET 1 OF 3		
ANGLES ±1°			REV D		
FINISH					

THIS DRAWING IS UNPUBLISHED. RELEASED FOR PUBLICATION 20  
 © COPYRIGHT 20 BY - ALL RIGHTS RESERVED.

REVISIONS				
P	LTR	DESCRIPTION	DATE	APVD
-	-	SEE SHEET 1	-	-



RECOMMENDED PCB LAYOUT  
 SINGLE SIDED APPLICATION

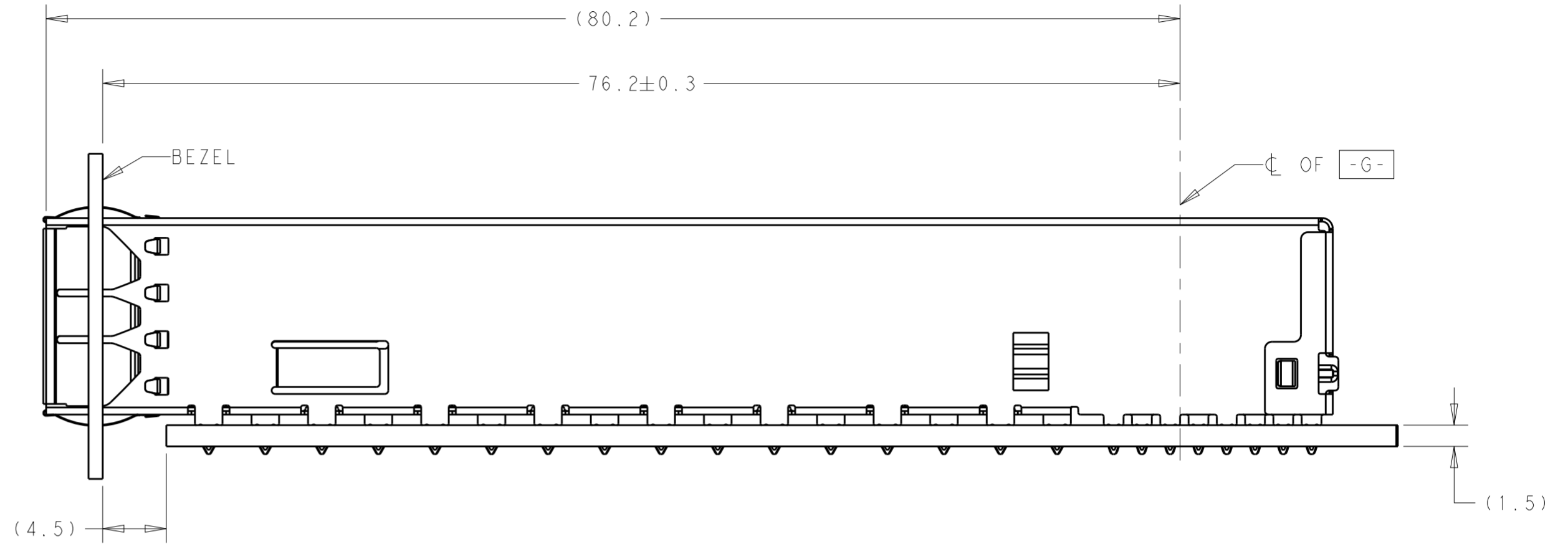
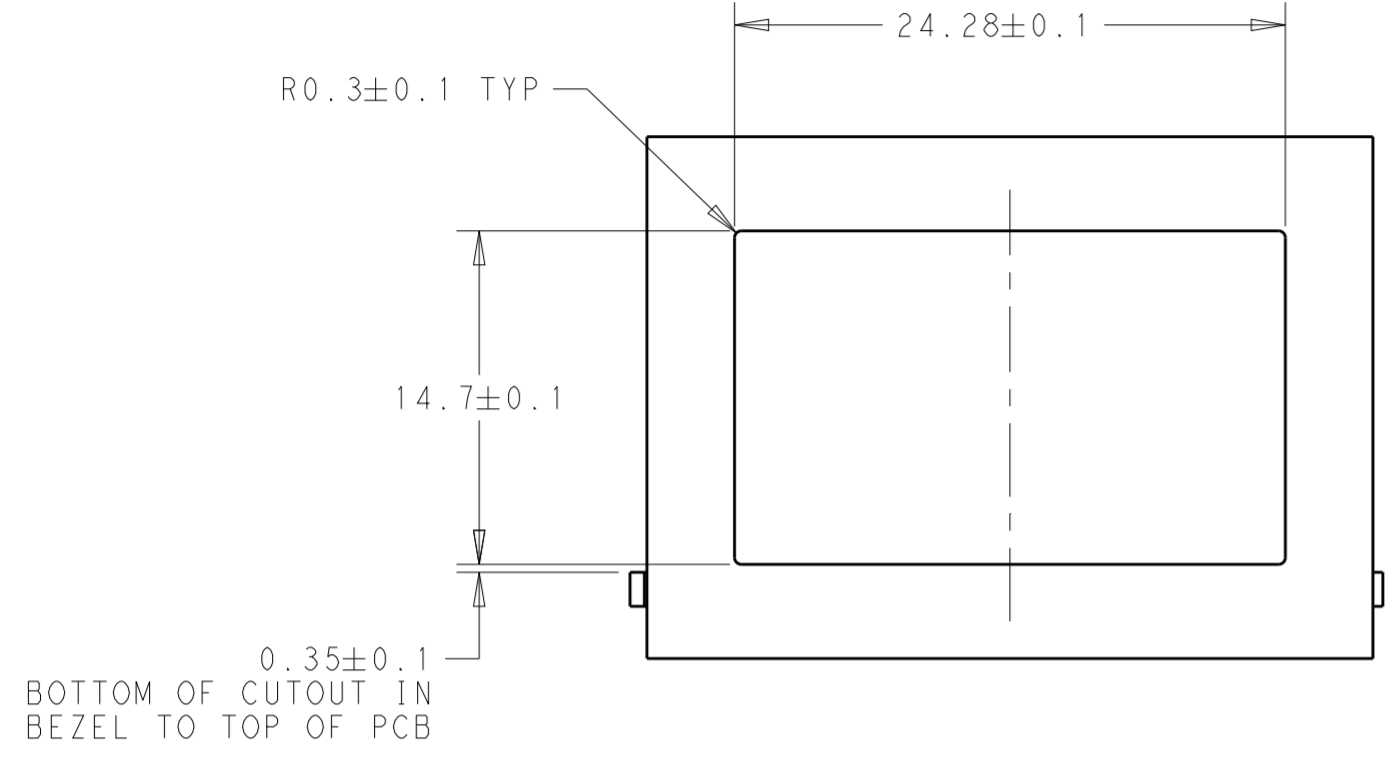


DETAIL A  
 SCALE 5:1

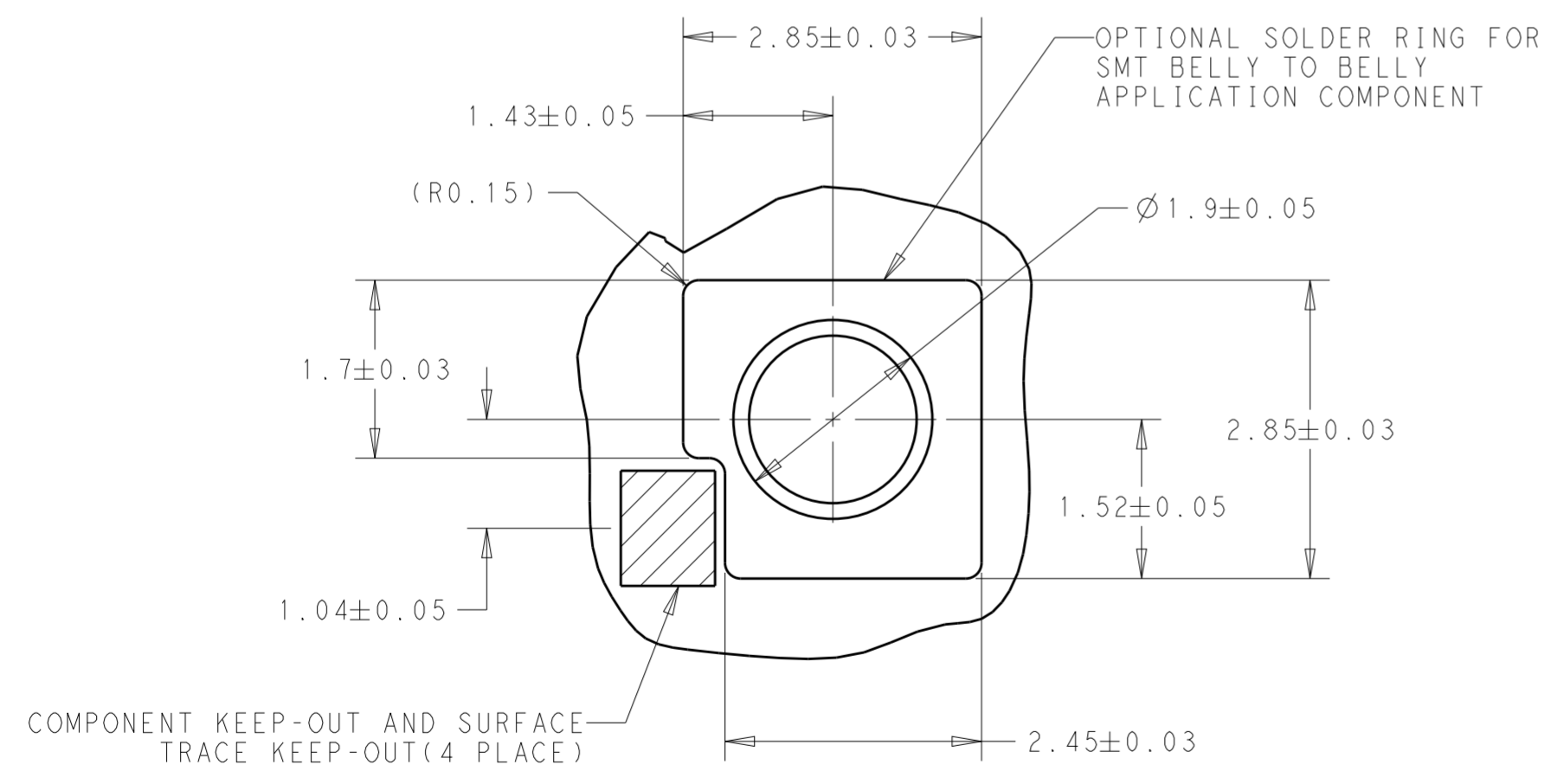
THIS DRAWING IS A CONTROLLED DOCUMENT.		DWN ANDY XIE 15MAR2017	TE Connectivity	
		CHK SEAN HAN 15MAR2017		
		APVD SEAN HAN 15MAR2017	NAME CAGE ASSEMBLY, 1X1, OSFP	
DIMENSIONS: mm		PRODUCT SPEC 108-60117	SIZE A2	
TOLERANCES UNLESS OTHERWISE SPECIFIED:		APPLICATION SPEC 114-130009	CAGE CODE -	
0 PLC $\pm$		WEIGHT -	DRAWING NO C-2317416	
1 PLC $\pm 0.25$		RESTRICTED TO -		
2 PLC $\pm 0.15$		SCALE 2:1 SHEET 2 OF 3 REV D		
3 PLC $\pm$		CUSTOMER DRAWING		
4 PLC $\pm$				
ANGLES $\pm 1^\circ$				
FINISH -				

THIS DRAWING IS UNPUBLISHED. RELEASED FOR PUBLICATION 20  
 © COPYRIGHT 20 BY - ALL RIGHTS RESERVED.

REVISIONS				
P	LTR	DESCRIPTION	DATE	APVD
-	-	SEE SHEET 1	-	-



SINGLE SIDED MOUNTING  
SCALE 3:1



DETAIL B  
SCALE 16:1

THIS DRAWING IS A CONTROLLED DOCUMENT.		DWN ANDY XIE 15MAR2017	TE Connectivity		
DIMENSIONS: mm		CHK SEAN HAN 15MAR2017			NAME CAGE ASSEMBLY, 1X1, OSFP
TOLERANCES UNLESS OTHERWISE SPECIFIED:		APVD SEAN HAN 15MAR2017			
0 PLC ± 1 PLC ±0.25 2 PLC ±0.15 3 PLC ± 4 PLC ± ANGLES ±1° FINISH -		PRODUCT SPEC 108-60117			RESTRICTED TO -
MATERIAL -		APPLICATION SPEC 114-130009	SIZE A2	CAGE CODE -	
		WEIGHT -	DRAWING NO C-2317416	SCALE 2:1	
		CUSTOMER DRAWING	SHEET 3 OF 3	REV D	