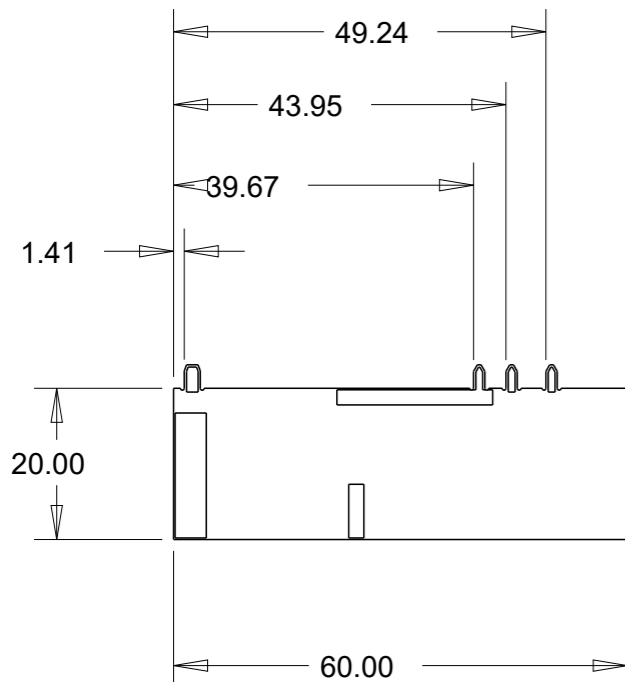


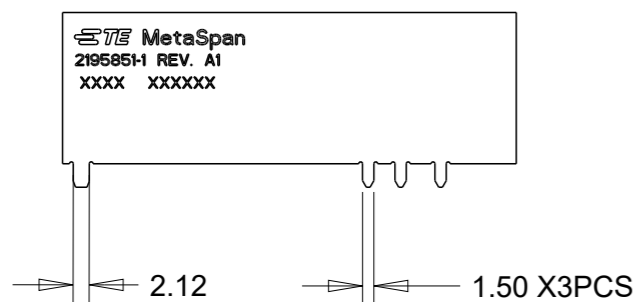
REVISIONS

P	LTR	DESCRIPTION	DATE	DWN	APVD
	2	UPDATE STANDARD NOTE	10DEC2020	DC	AC
	A	GO TO PRODUCTION	14DEC2020	DC	AC
	A1	+METASPAN LOGO	06JAN2021	DC	AC
	A2	UPDATE NAME	01FEB2021	DC	AC




- FABRICATE TO MEET IPC - 6012, CLASS 2.
INSPECT TO MEET IPC - A - 600, CLASS 2.
- MATERIAL :FR-4,PCB, THICK 1.6mm
- FINISH
 - SOLDERMASK BOTH SIDE : ORANGE
 - ENING PLATING
- PACKAGE SIGULATED PARTS TO BE SECURELY BAG WRAPPED, BAGGED OR VACUUM PACKED IN BULK
- CONSULT TE CONNECTIVITY DATA SHEET DS2195851
- SILKSCREEN WHITE EPOXY INK
 - TE LOGO TE P/N
 - WORD REV, FOLLOWED BY THE LATEST REVISION LETTER AS SHOWN.
 - 4 DIGIT DATA CODE: FIRST 2 DIGITS FOR THE WEEK CODE AND THE 2ND 2 DIGITS FOR THE YEAR CODE
OTHERS: SPECIFIC TE INTERNAL USE ONLY.
- GENERAL TOLERANCE +/-0.2mm

TE PN	2195851-1
-------	-----------



TE MetaSpan
2195851-1 REV. A1
XXXX XXXXXX

THIS DRAWING IS A CONTROLLED DOCUMENT.		DWN 08DEC2020 DC HSIANG	 TE Connectivity	
DIMENSIONS: mm		CHK 08DEC2020 SHIN HOO		
TOLERANCES UNLESS OTHERWISE SPECIFIED:		APVD 08DEC2020 AMOS CHEAH	NAME PCB ANT, TAB MOUNT, 698-7125MHZ	
0 PLC ±- 1 PLC ±0.5 2 PLC ±0.13 3 PLC ±0.013 4 PLC ±0.0001 ANGLES ±-		PRODUCT SPEC -	-	
MATERIAL -		APPLICATION SPEC -	SIZE A3	CAGE CODE 00779
FINISH finish_spec_2		WEIGHT -	DRAWING NO C-2195851	RESTRICTED TO -
CUSTOMER DRAWING			SCALE 1:1	SHEET 1 OF 1
			REV A2	