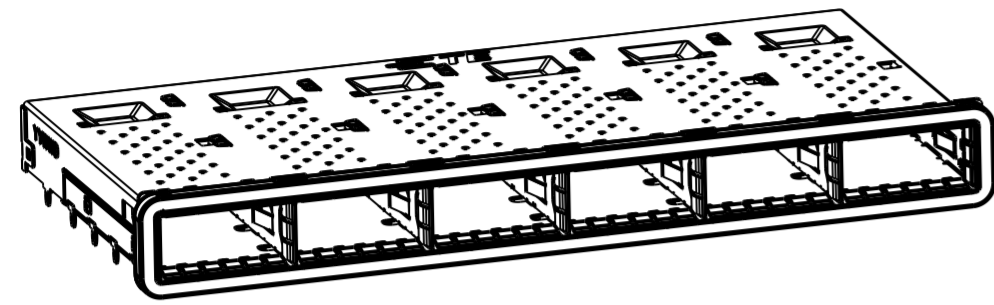
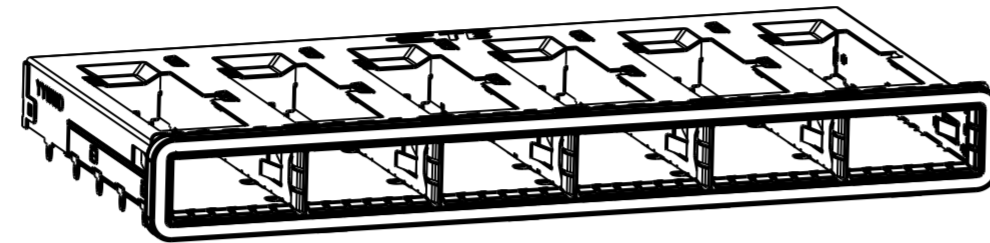


THIS DRAWING IS UNPUBLISHED. RELEASED FOR PUBLICATION 20
 © COPYRIGHT 20 BY - ALL RIGHTS RESERVED.

REVISIONS				
P	LTR	DESCRIPTION	DATE	APVD
1		PRELIMINARY	17JAN2014	JY

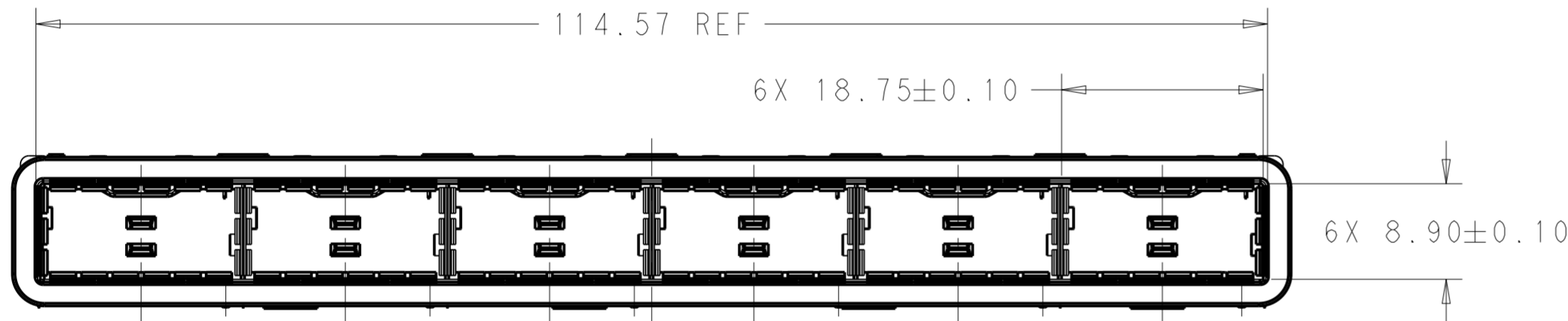


2170722-1AS SHOWN
SCALE 1:1

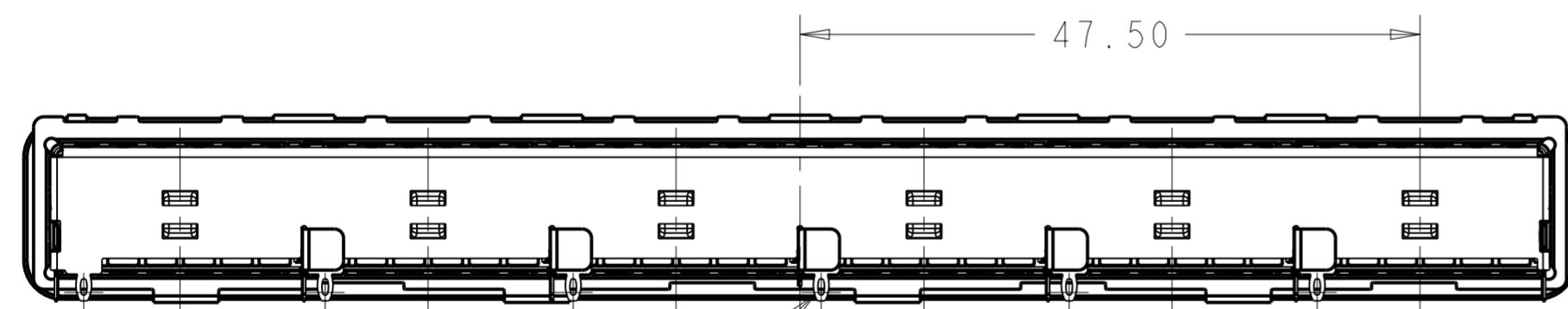
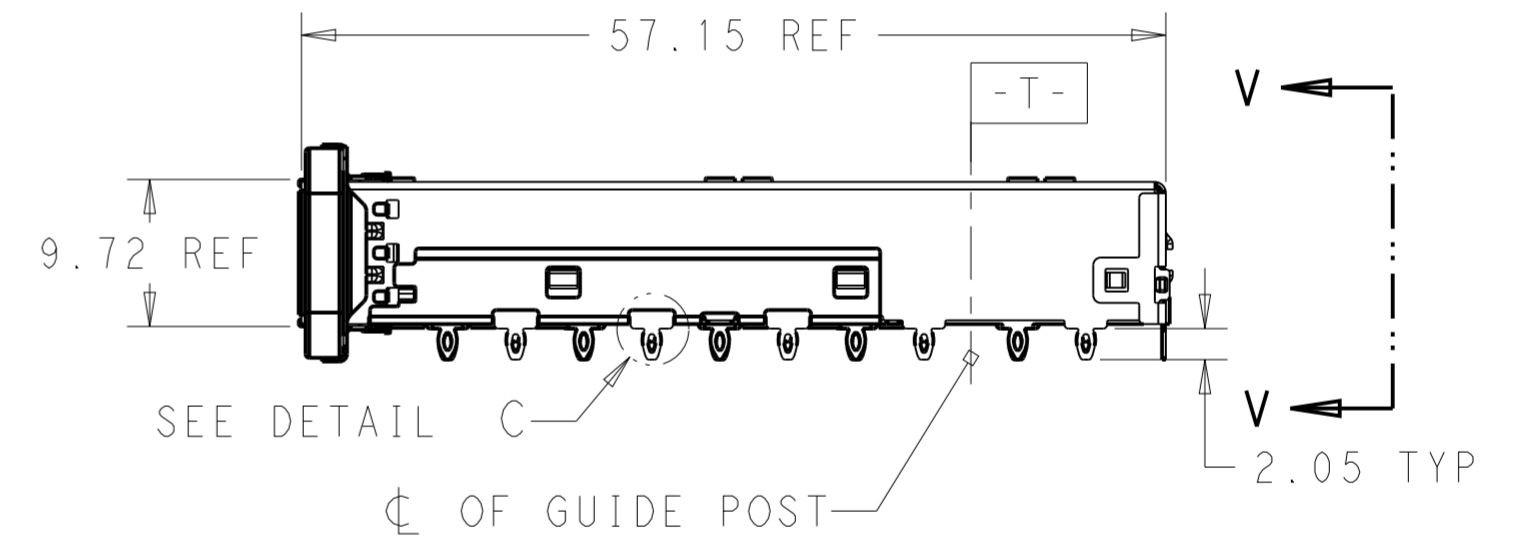


2170722-2 AS SHOWN
SCALE 1:1

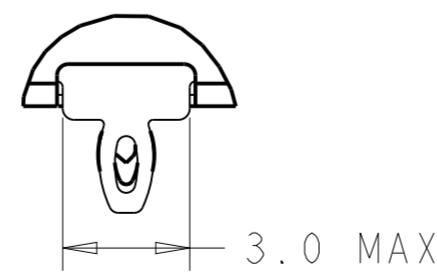
- COMPONENTS
 CAGE ASSEMBLY: NICKEL-SILVER ALLOY
 RETENTION PLATE: STAINLESS STEEL
 EMI SPRING: COPPER ALLOY/NICKEL PLATE
 GASKET: PLATED FILLED SILICONE WITH 94 V_0
- REFERENCE APPLICATION SPECIFICATION 114-*****
 FOR RECOMMENDED DRILL HOLE DIAMETER AND
 PLATING THICKNESS
- DATUM AND BASIC DIMENSION ESTABLISHED BY CUSTOMER
- DATE CODE (YYWWD) MARKED APPROXIMATELY AS SHOWN.
- MATES WITH QSFP28 MSA COMPATIBLE TRANSCEIVER.
- MINIMUM PC BOARD THICKNESS:
 SINGLE SIDED: 1.57 MIN
 DOUBLE SIDED: 3.00 MIN
- DATUM **-A-** IS TOP SURFACE OF THE HOST BOARD.
- THESE HOLES ARE OPTIONAL WHEN THE REAR PINS ARE REMOVED.



SCALE 2:1



SECTION V-V
SCALE 2:1



DETAIL C
SCALE 6:1

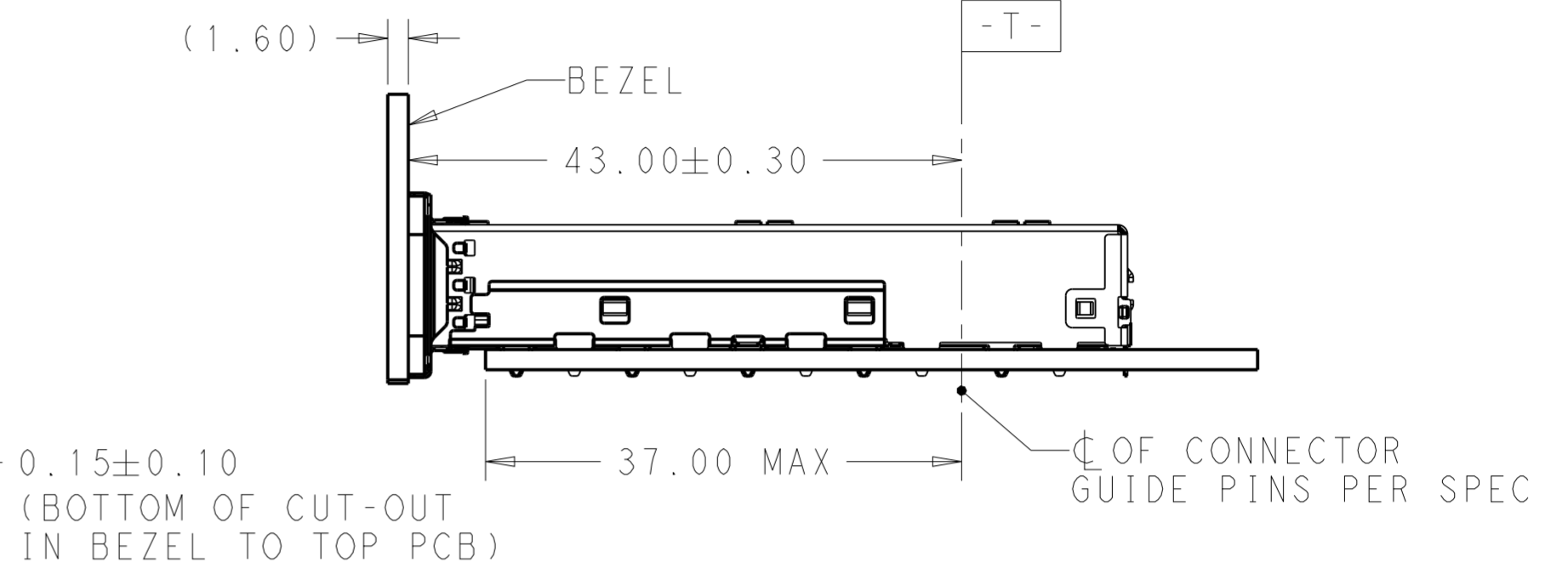
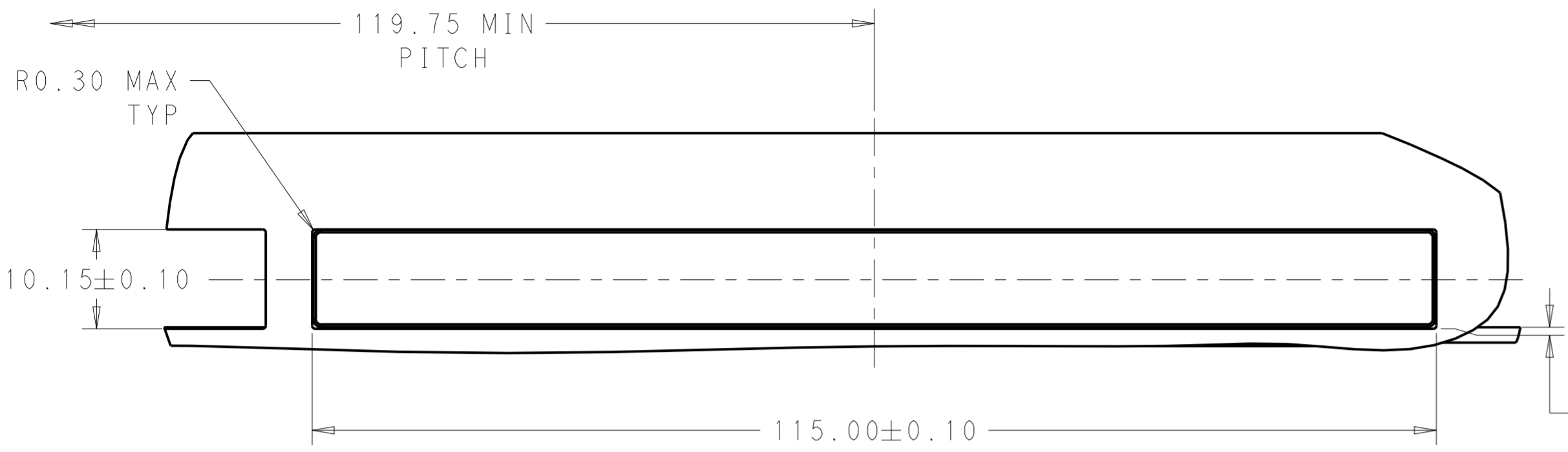
WITHOUT	WITH	2170722-5
WITHOUT	WITHOUT	2170722-4
WITH	WITH	2170722-2
WITH	WITHOUT	2170722-1
REAR PIN OPTIONAL	HEAT SINK OPEN OPTIONAL	PART NUMBER

THIS DRAWING IS A CONTROLLED DOCUMENT.		DWN JAN162014 JASON YANG	TE Connectivity	
DIMENSIONS: mm		CHK -	NAME CAGE ASSEMBLY, 1X6 QSFP28 THRU BEZEL, GASKET	
TOLERANCES UNLESS OTHERWISE SPECIFIED:		APVD -	PRODUCT SPEC -	
0 PLC ±		APPLICATION SPEC -	SIZE A2	
1 PLC ±0.25		WEIGHT -	CAGE CODE 00779	DRAWING NO C-2170722
2 PLC ±0.2		Customer Drawing	RESTRICTED TO -	
3 PLC ±		SCALE 1:1	SHEET 1	OF 5
4 PLC ±			REV 1	
ANGLES ±				
FINISH				
MATERIAL SEE NOTES				
SEE NOTES				

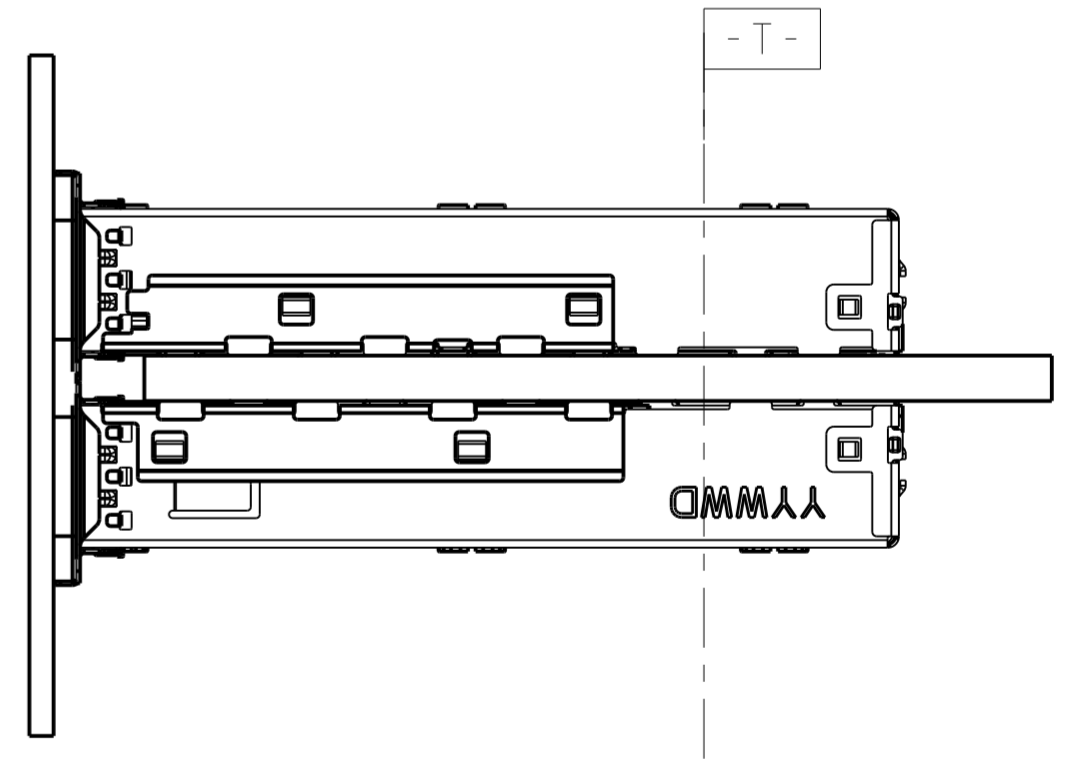
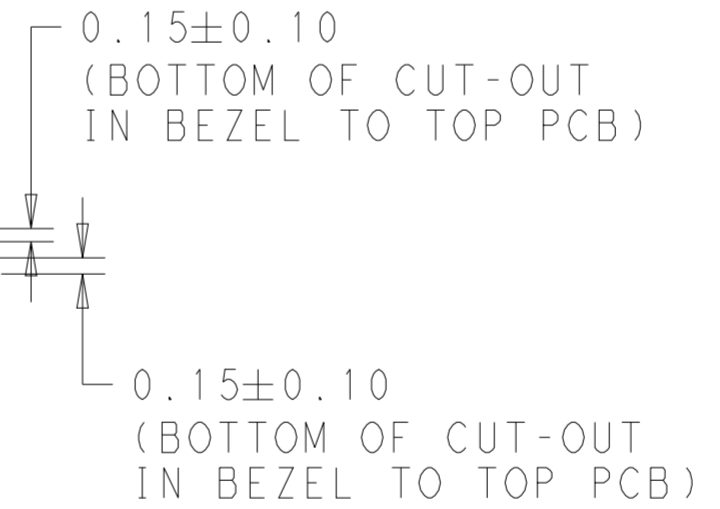
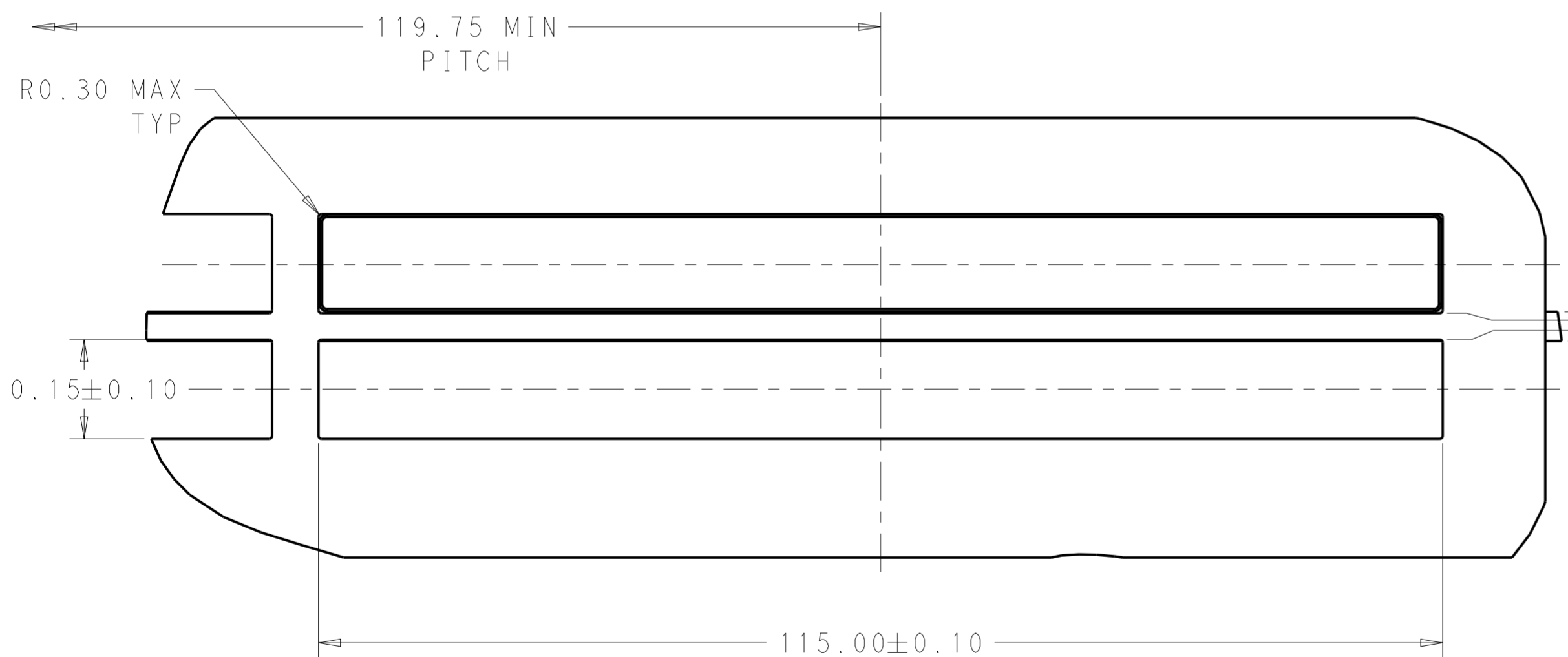
PRELIMINARY PART- NOT RELEASED FOR PRODUCTION

THIS DRAWING IS UNPUBLISHED. RELEASED FOR PUBLICATION 20
 © COPYRIGHT 20 BY - ALL RIGHTS RESERVED.

REVISIONS				
P	LTR	DESCRIPTION	DATE	APVD
-	-	SEE SHEET 1	-	-



SINGLE SIDE MOUNTING
SCALE 2:1



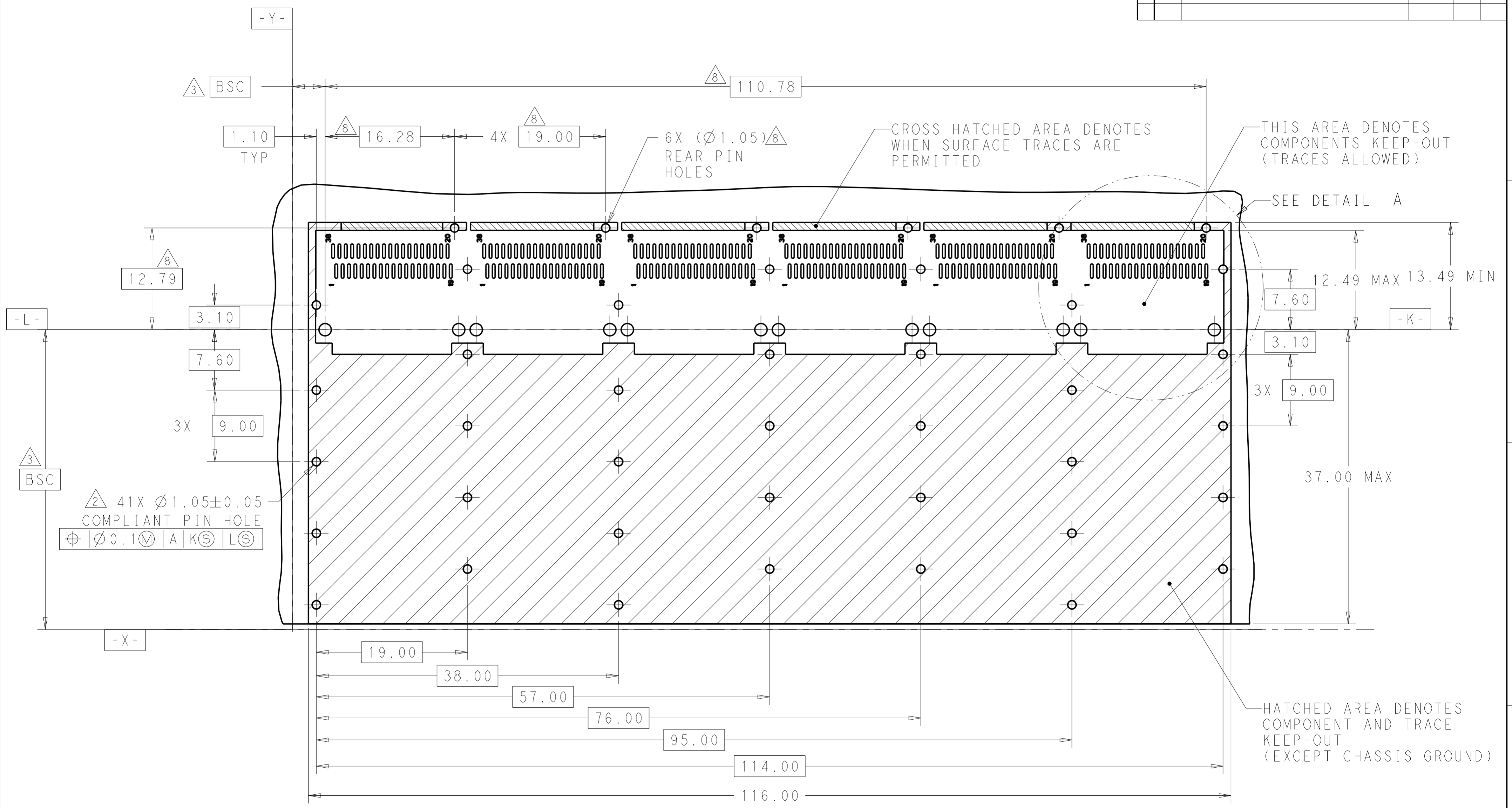
BELLY TO BELLY MOUNTING
SCALE 2:1

PRELIMINARY PART- NOT RELEASED FOR PRODUCTION

THIS DRAWING IS A CONTROLLED DOCUMENT.		DWN JAN162014 JASON YANG	STE TE Connectivity	
DIMENSIONS: mm		CHK -		
TOLERANCES UNLESS OTHERWISE SPECIFIED:		PRODUCT SPEC -	NAME CAGE ASSEMBLY, 1X6 QSFP28 THRU BEZEL, GASKET	
0 PLC ±		APPLICATION SPEC -	SIZE A200779	DRAWING NO C-2170722
1 PLC ±0.25		WEIGHT -	RESTRICTED TO	-
2 PLC ±0.2		Customer Drawing	SCALE 1:1	SHEET 2 OF 5
3 PLC ±			REV 1	
4 PLC ±				
ANGLES ±				
FINISH				
MATERIAL SEE NOTES				
SEE NOTES				

THIS DRAWING IS UNPUBLISHED. RELEASED FOR PUBLICATION 20
 © COPYRIGHT 20 BY - ALL RIGHTS RESERVED.

REVISIONS				
P	LTR	DESCRIPTION	DATE	APVD
-	-	SEE SHEET 1	-	-

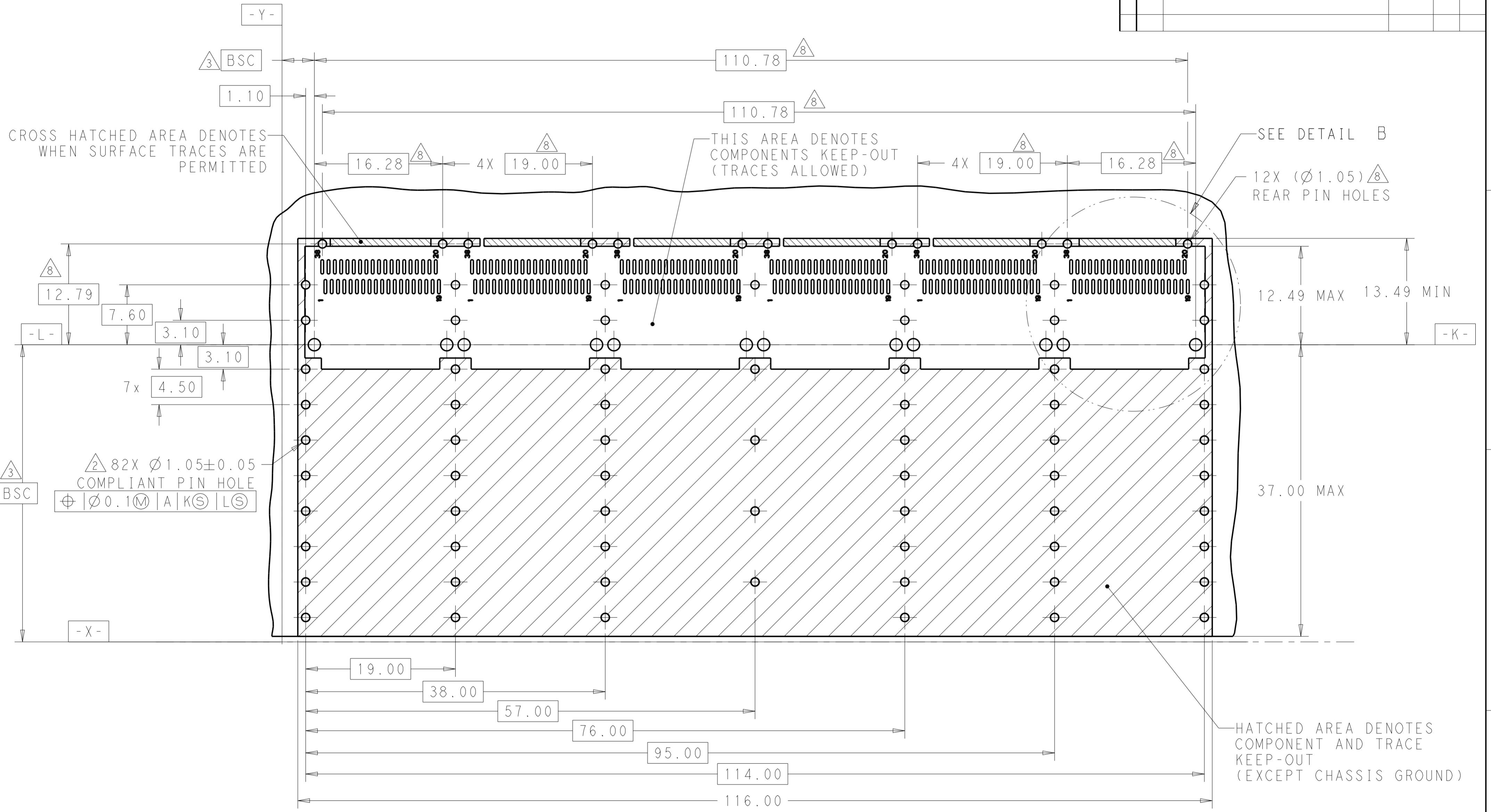


2 41X Ø1.05±0.05
 COMPLIANT PIN HOLE
 ⊕ | Ø0.1(M) | A | K(S) | L(S)

RECOMMENDED PCB LAYOUT
 SINGLE TYPE
 PCB TOLERANCE: ±0.05
 SCALE 3:1

THIS DRAWING IS A CONTROLLED DOCUMENT.		DWN JAN162014 JASON YANG	TE Connectivity	
DIMENSIONS: mm		CHK -		
TOLERANCES UNLESS OTHERWISE SPECIFIED: 0 PLC ± 1 PLC ±0.25 2 PLC ±0.2 3 PLC ± 4 PLC ± ANGLES ± FINISH		APVD -	PRODUCT SPEC -	SIZE A200779
MATERIAL SEE NOTES		APPLICATION SPEC -	WEIGHT -	DRAWING NO C-2170722
		Customer Drawing	SCALE 1:1	RESTRICTED TO -
			SHEET 3 OF 5	REV 1

REVISIONS				
P	LTR	DESCRIPTION	DATE	APVD
-	-	SEE SHEET 1	-	-



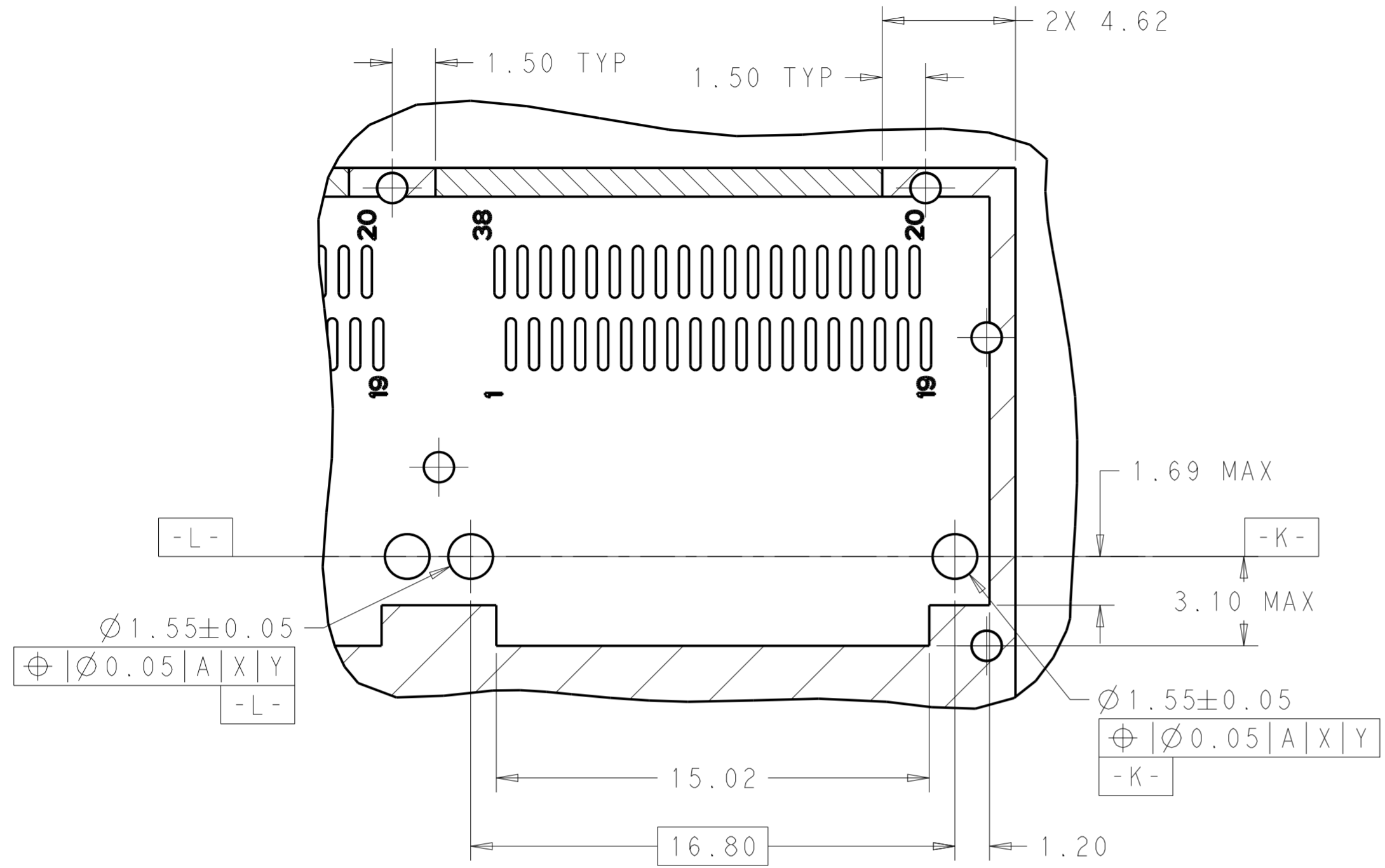
RECOMMENDED PCB LAYOUT
 BELLY TO BELLY TYPE
 PCB TOLERANCE: ±0.05
 SCALE 3:1

PRELIMINARY PART- NOT RELEASED FOR PRODUCTION

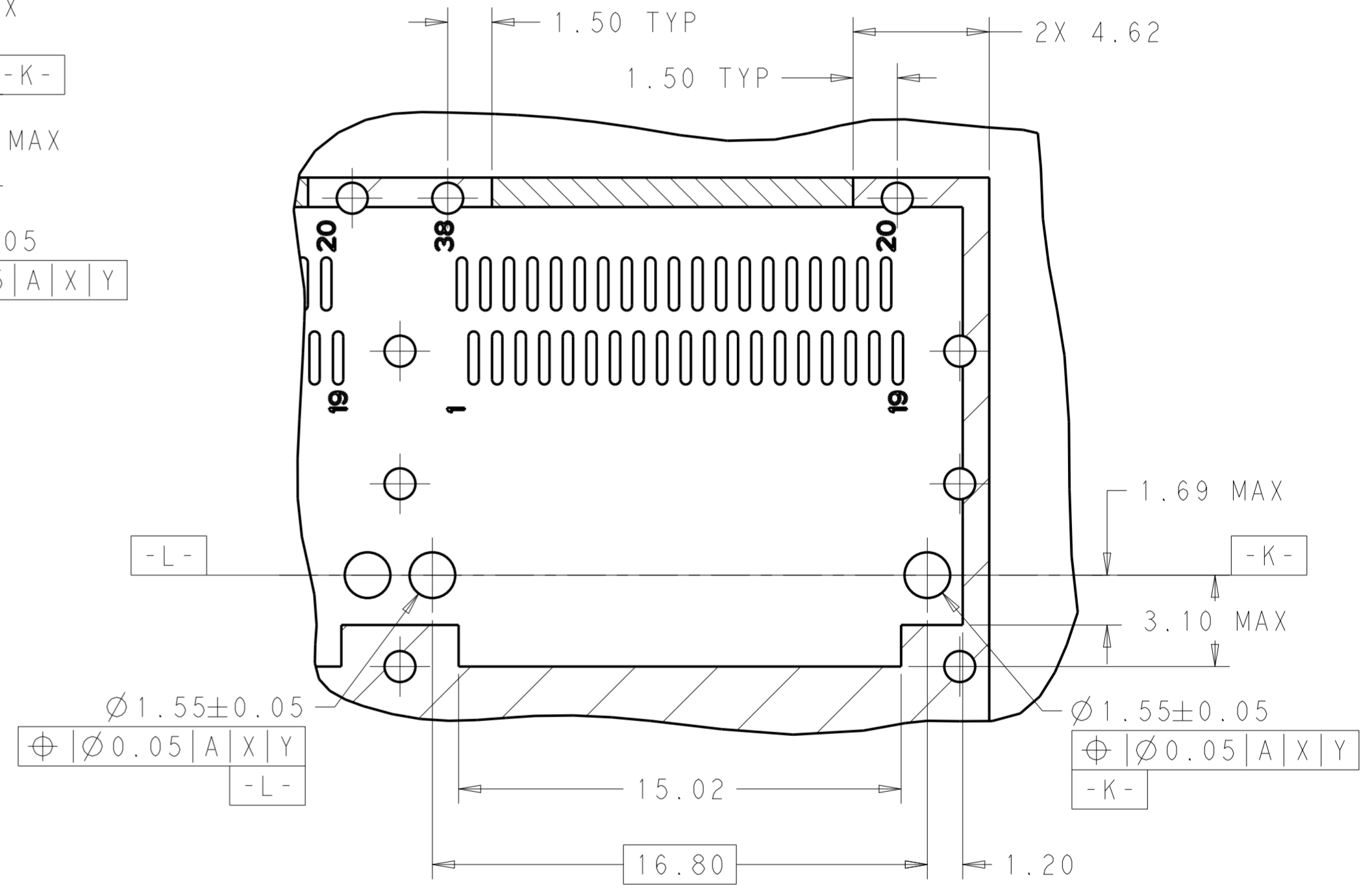
THIS DRAWING IS A CONTROLLED DOCUMENT.		DWN JAN162014 JASON YANG	STE TE Connectivity	
DIMENSIONS: mm		CHK - APVD -		
TOLERANCES UNLESS OTHERWISE SPECIFIED: 0 PLC ± 1 PLC ±0.25 2 PLC ±0.2 3 PLC ± 4 PLC ± ANGLES ± FINISH		PRODUCT SPEC - APPLICATION SPEC - WEIGHT -	SIZE A200779	DRAWING NO C-2170722
MATERIAL SEE NOTES		Customer Drawing	RESTRICTED TO -	SCALE 1:1 SHEET 4 OF 5 REV 1

THIS DRAWING IS UNPUBLISHED. RELEASED FOR PUBLICATION 20
 © COPYRIGHT 20 BY - ALL RIGHTS RESERVED.

REVISIONS				
P	LTR	DESCRIPTION	DATE	APVD
-	-	SEE SHEET 1	-	-




DETAIL A
SCALE 6:1



DETAIL B
SCALE 6:1

PRELIMINARY PART- NOT RELEASED FOR PRODUCTION

THIS DRAWING IS A CONTROLLED DOCUMENT.		DWN JAN162014 JASON YANG	 TE Connectivity	
DIMENSIONS: mm		CHK -		
TOLERANCES UNLESS OTHERWISE SPECIFIED: 0 PLC ± 1 PLC ±0.25 2 PLC ±0.2 3 PLC ± 4 PLC ± ANGLES ± FINISH		APVD -	PRODUCT SPEC -	RESTRICTED TO -
MATERIAL SEE NOTES		APPLICATION SPEC -	WEIGHT -	SIZE A200779
SEE NOTES		Customer Drawing	SCALE 1:1	DRAWING NO C-2170722
			SHEET 5 OF 5	REV 1