

4

3

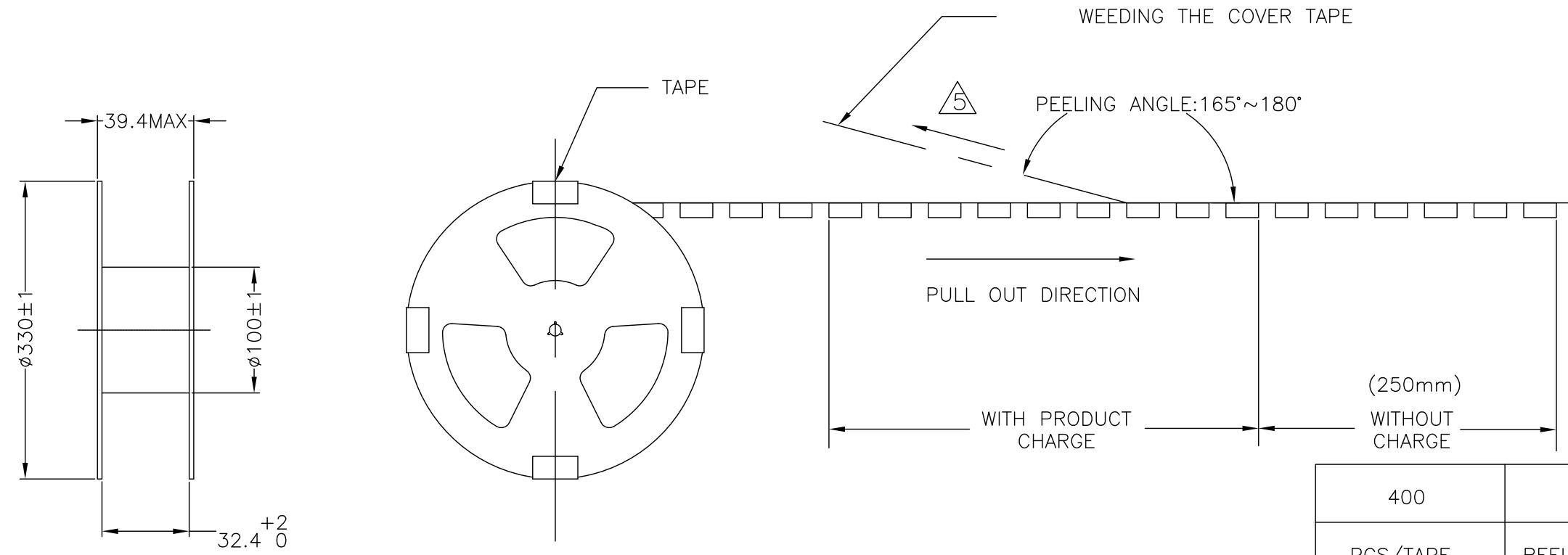
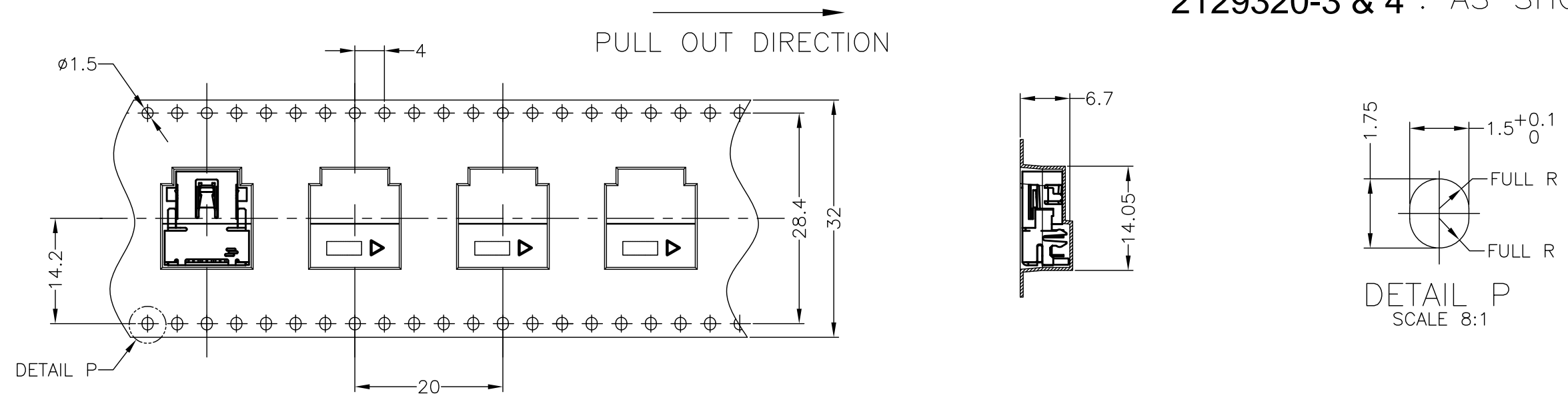
2

1

THIS DRAWING IS UNPUBLISHED. RELEASED FOR PUBLICATION
 © COPYRIGHT - By - ALL RIGHTS RESERVED.

LOC	DIST	REVISIONS					
DW		P	LTR	DESCRIPTION	DATE	DWN	APVD
		D1		REVISED (ECR-19-015854)		J.L	H.K

2129320-3 & 4 : AS SHOWN



400	8	3200
PCS/TAPE	REELS/CARTON	TOTAL Q'TY

THIS DRAWING IS A CONTROLLED DOCUMENT.		DWN	V.PENG	02SEP2011	 TE Connectivity													
DIMENSIONS: mm		CHK	M.CHAO	02SEP2011														
TOLERANCES UNLESS OTHERWISE SPECIFIED:		APVD	H.KODAMA	02SEP2011														
<table border="1"> <tr><td>0 PLC</td><td>±</td></tr> <tr><td>1 PLC</td><td>±</td></tr> <tr><td>2 PLC</td><td>±</td></tr> <tr><td>3 PLC</td><td>±</td></tr> <tr><td>4 PLC</td><td>±</td></tr> <tr><td>ANGLES</td><td>±3</td></tr> </table>		0 PLC	±	1 PLC		±	2 PLC	±	3 PLC	±	4 PLC	±	ANGLES	±3	<table border="1"> <tr><td>±0.25</td></tr> <tr><td>±3</td></tr> </table>		±0.25	±3
0 PLC	±																	
1 PLC	±																	
2 PLC	±																	
3 PLC	±																	
4 PLC	±																	
ANGLES	±3																	
±0.25																		
±3																		
MATERIAL		PRODUCT SPEC		MINI DISPLAYPORT RECEPTACLE CONNECTOR														
SEE NOTE 1		APPLICATION SPEC		4 ROW TH, REVERSED, OFFSET TYPE														
		WEIGHT		SIZE	RESTRICTED TO													
		CUSTOMER DRAWING		A3														
				CAGE CODE														
				DRAWING NO														
				00779														
				2129320														
				SCALE														
				NONE														
				SHEET														
				1 OF 5														
				REV														
				D1														

4

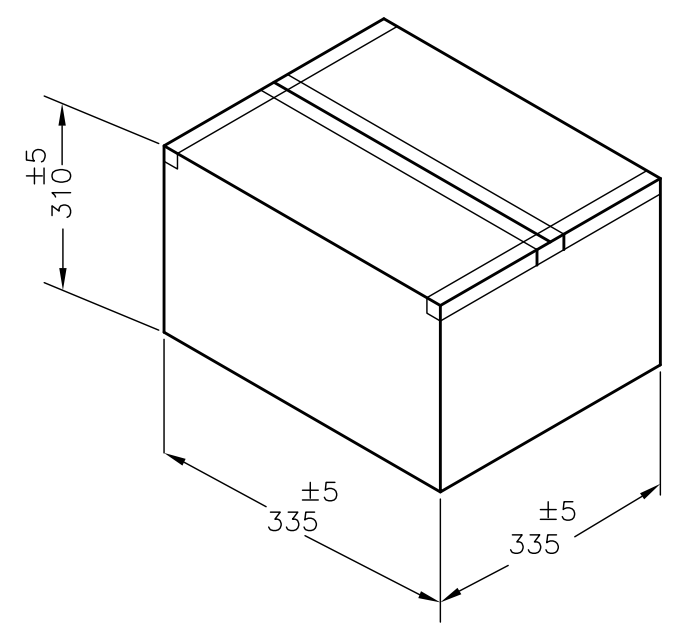
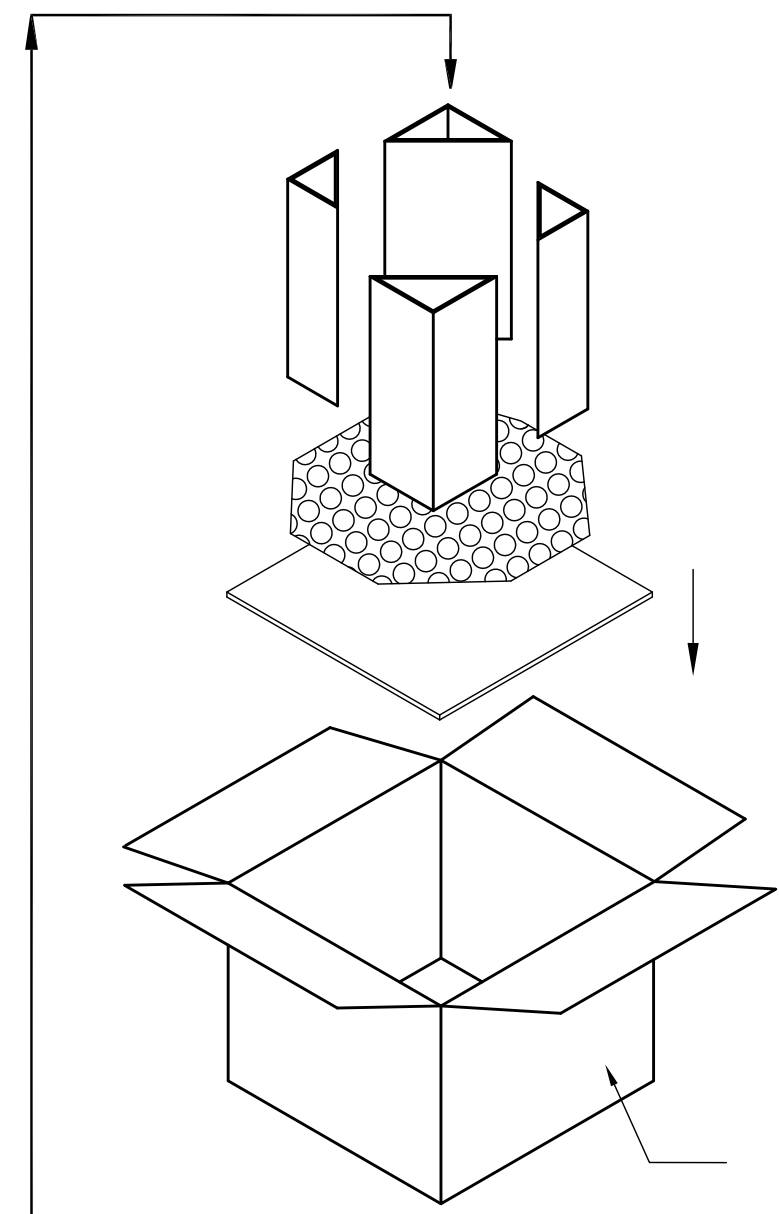
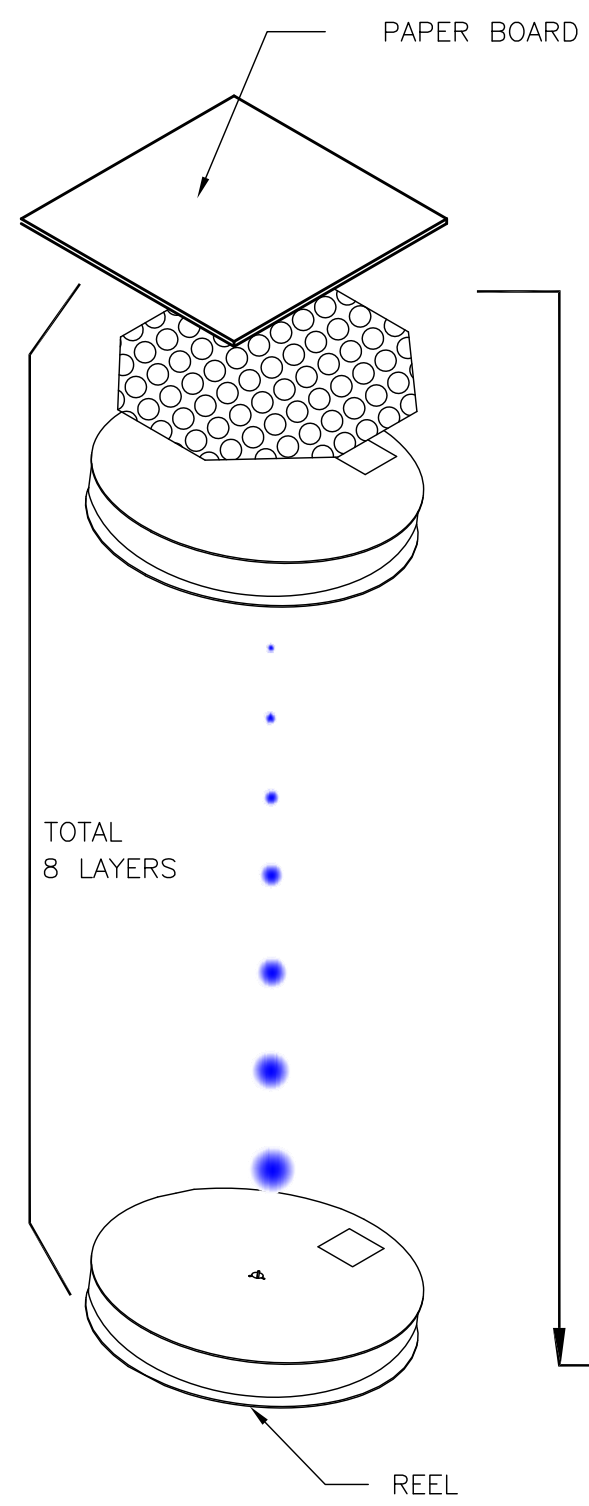
3

2

1

THIS DRAWING IS UNPUBLISHED. RELEASED FOR PUBLICATION - , - .
 © COPYRIGHT - By - ALL RIGHTS RESERVED.

LOC	DIST	REVISIONS			
P	LTR	DESCRIPTION	DATE	DWN	APVD
DW		SEE SHEET 1	-	-	-



1. PACKING MATERIAL :
 - 1.1 REEL: PS(RoHS) BLUE.
 - 1.2 COVER TAPE: PET,
 - 1.3 SHIPPING CARTON: CORRUGATED FIBER
2. DIMENSION :
 - 2.1 REEL: W=44.5, DIA=330
 - 2.2 SHIPPING CARTON: L=335, W=335, H=310
3. QUANTITY :
 - 3.1 PRIMARY PACKING: 400 PCS/REEL
 - 3.2 SECONDARY PACKING: 8 REELS(3200 PCS)/CARTON
4. WEIGHT :
 - 4.1 NET WEIGHT : 1.23g/PCS, 0.49Kg/REEL, 3.93Kg/CARTON.
 - 4.2 GROSS WEIGHT: 7.83 Kg/CARTON.
5. PEELING RESISTANCE: 0.1~0.7N (10.2gf~71.4gf).
6. PEELING SPEED: 300mm/MINUTES.

SHIPPING CARTON

THIS DRAWING IS A CONTROLLED DOCUMENT.		DWN		STE TE Connectivity																			
DIMENSIONS: mm		CHK																					
TOLERANCES UNLESS OTHERWISE SPECIFIED:		APVD		NAME																			
<table border="0"> <tr><td>0 PLC</td><td>±</td><td>±0.25</td></tr> <tr><td>1 PLC</td><td>±</td><td>±0.25</td></tr> <tr><td>2 PLC</td><td>±</td><td>±0.25</td></tr> <tr><td>3 PLC</td><td>±</td><td>±0.25</td></tr> <tr><td>4 PLC</td><td>±</td><td>±0.25</td></tr> <tr><td>ANGLES</td><td>±</td><td>±3</td></tr> </table>		0 PLC	±	±0.25	1 PLC	±	±0.25	2 PLC	±	±0.25	3 PLC	±	±0.25	4 PLC	±	±0.25	ANGLES	±	±3	PRODUCT SPEC		MINI DISPLAYPORT RECEPTACLE CONNECTOR	
0 PLC	±	±0.25																					
1 PLC	±	±0.25																					
2 PLC	±	±0.25																					
3 PLC	±	±0.25																					
4 PLC	±	±0.25																					
ANGLES	±	±3																					
MATERIAL SEE NOTE 1		APPLICATION SPEC		4 ROW TH, REVERSED, OFFSET TYPE																			
		WEIGHT		SIZE	CAGE CODE																		
		CUSTOMER DRAWING		A3	00779																		
				DRAWING NO	RESTRICTED TO																		
				C-2129320																			
				SCALE	SHEET																		
				NONE	2 OF 5																		
				REV	D1																		

4

3

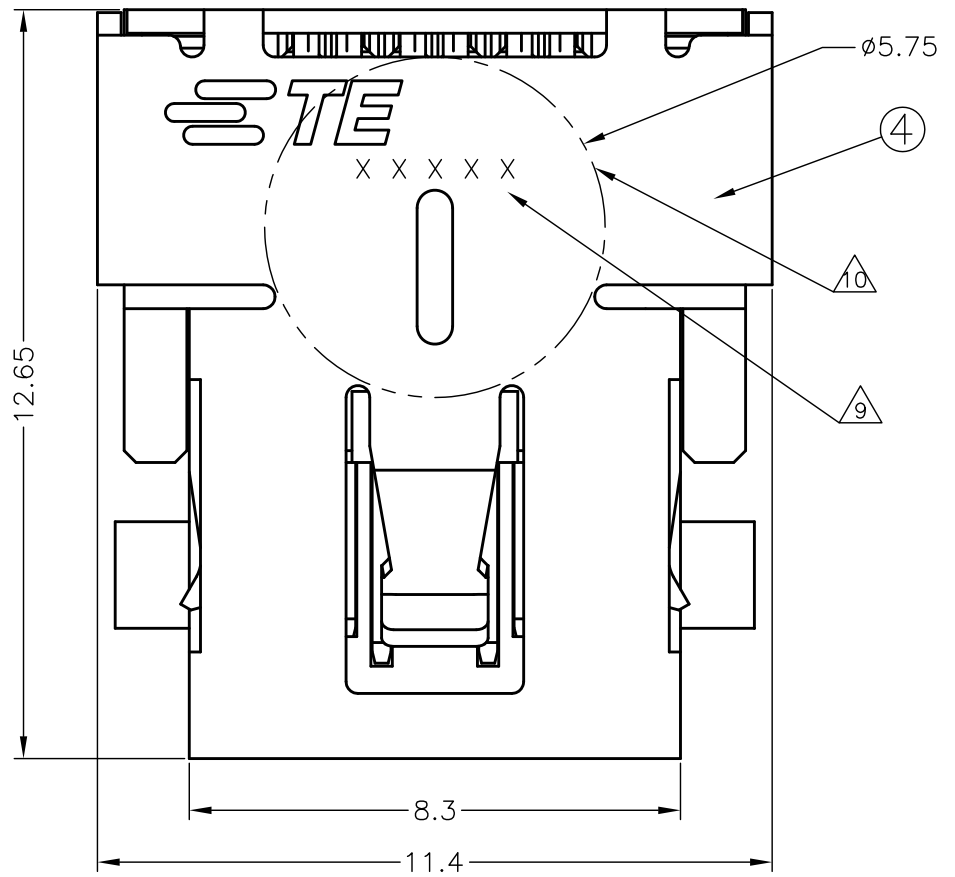
2

1

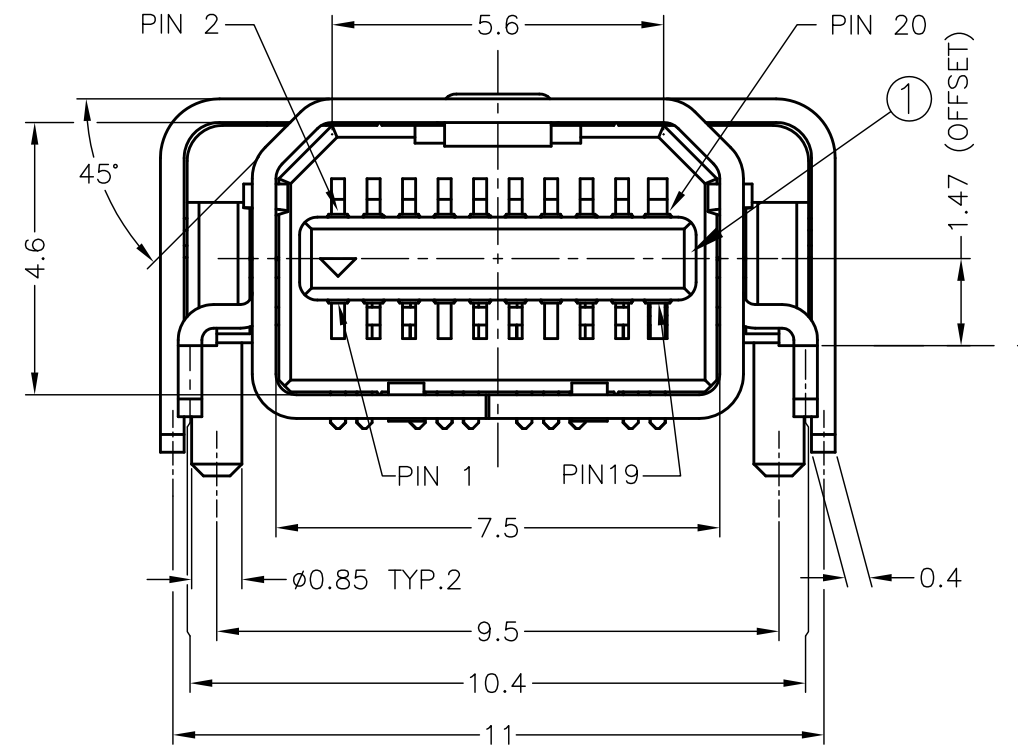
THIS DRAWING IS UNPUBLISHED. RELEASED FOR PUBLICATION
 © COPYRIGHT - By - ALL RIGHTS RESERVED.

LOC	DIST	REVISIONS				
P	LTR	DESCRIPTION	DATE	DWN	APVD	
DW		SEE SHEET 1	-	-	-	

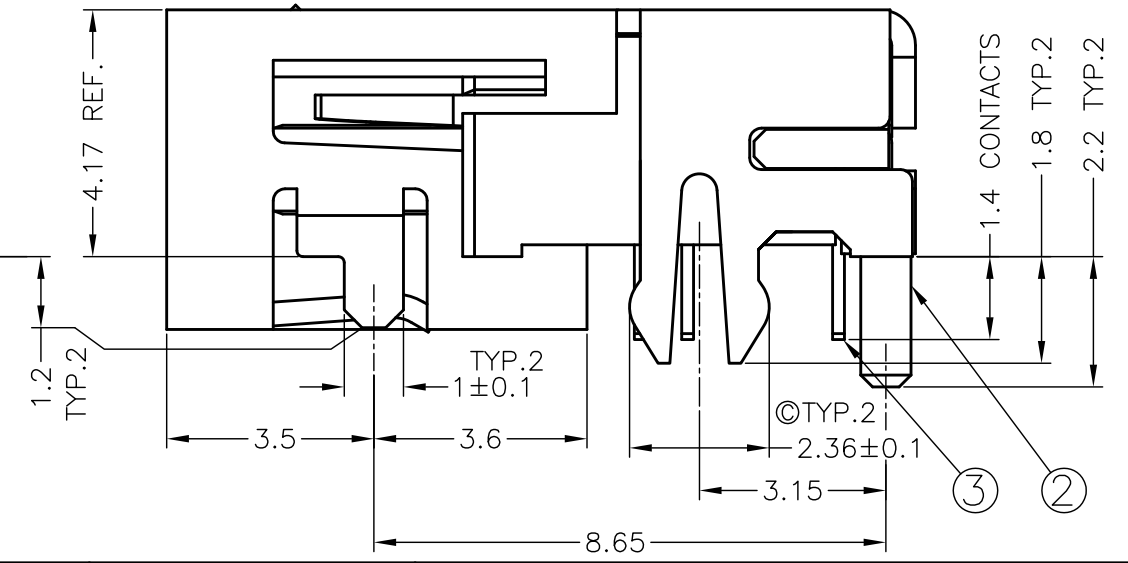
2129320-3 : AS SHOWN



- △ MATERIAL:
- ① HOUSING: HIGH TEMPERATURE THERMAL PLASTIC, BLACK, UL94V-0.
 - ② TINE PLATE: HIGH TEMPERATURE THERMAL PLASTIC, BLACK, UL94V-0.
 - ③ CONTACT: COPPER ALLOY.
 - ④ SHELL: STAINLESS STEEL.
- △ FINISH:
- CONTACT:
- CONTACT AREA: Au PLATING 0.38 um
 - SOLDER TAIL AREA: MATTE TIN PLATING
 - UNDER PLATING: NICKEL PLATING OVERALL
- SHELL:
- MATTE TIN PL. ALL OVER
 - NICKEL UNDERPLATING ALL OVER
- △ DATE CODE
- △ PICK & PLACE VACUUM AREA
11. LOW HALOGEN SPECIFICATION
 CHLORINE(Cl) : 900 ppm MAX.
 BROMINE(Br) : 900 ppm MAX.



MOUNTING SURFACE

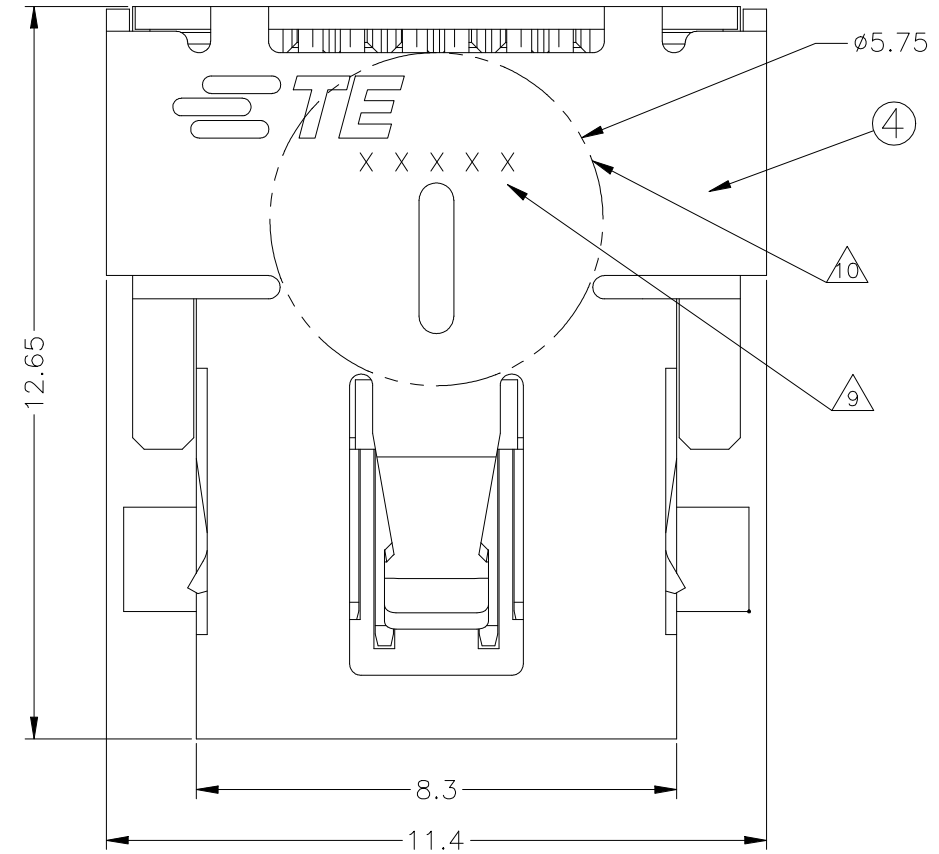


THIS DRAWING IS A CONTROLLED DOCUMENT.		DWN		TE Connectivity	
DIMENSIONS: mm		CHK			
TOLERANCES UNLESS OTHERWISE SPECIFIED:		APVD		NAME	
0 PLC ± 1 PLC ± 2 PLC ± ±0.25 3 PLC ± 4 PLC ± ANGLES ±3		PRODUCT SPEC		MINI DISPLAYPORT RECEPTACLE CONNECTOR	
MATERIAL SEE NOTE 7		FINISH SEE NOTE 8		4 ROW TH, REVERSED, OFFSET TYPE	
		APPLICATION SPEC		SIZE	CAGE CODE
		WEIGHT		A3	00779
		CUSTOMER DRAWING		DRAWING NO	
				C-2129320	
				RESTRICTED TO	
				SCALE	SHEET
				8:1	3 OF 5
				REV	D1

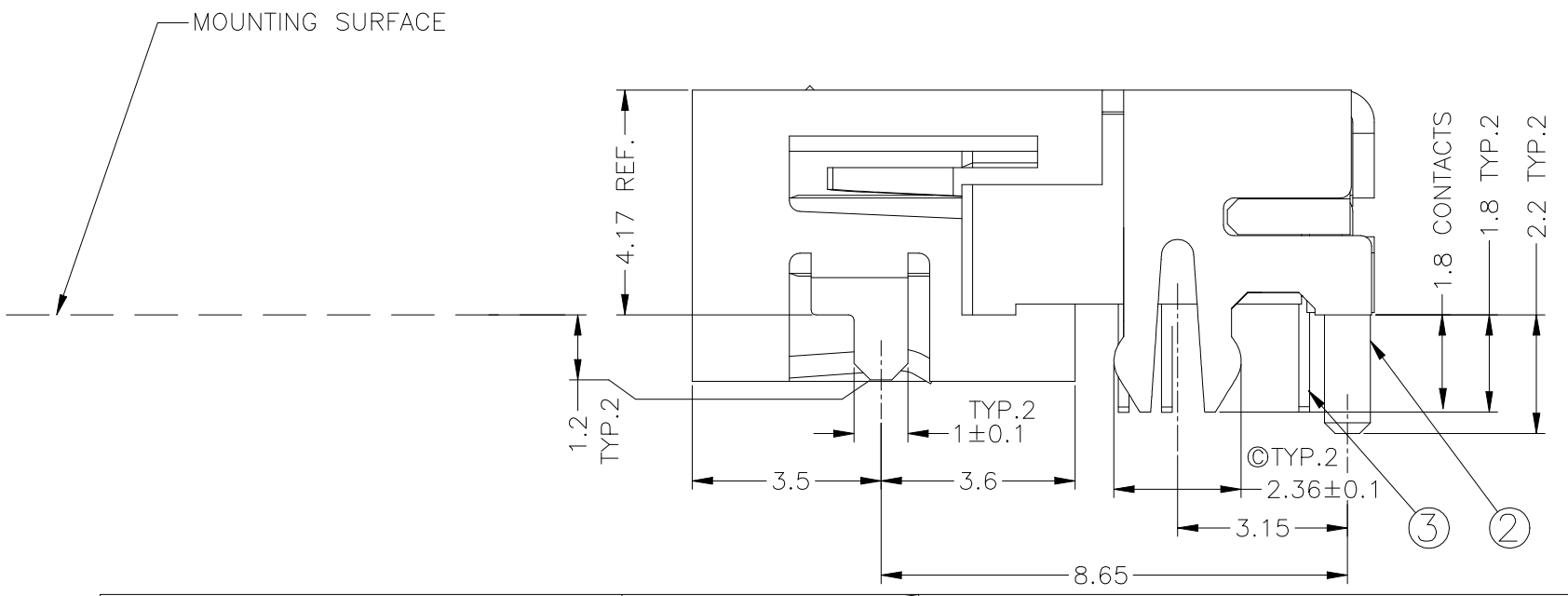
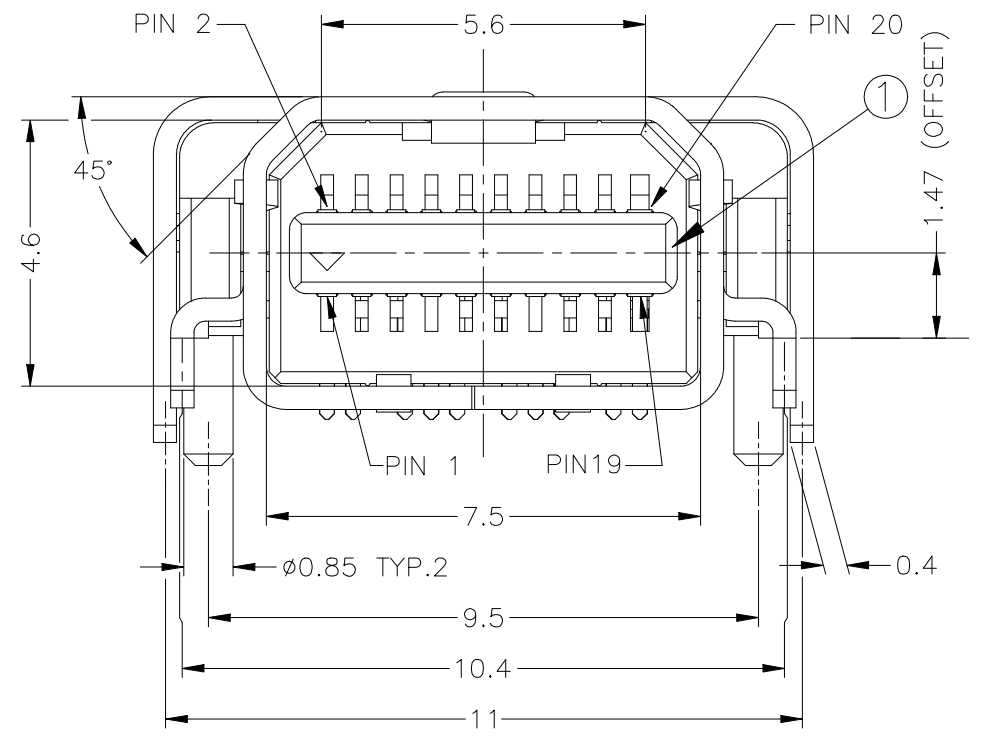
THIS DRAWING IS UNPUBLISHED. RELEASED FOR PUBLICATION
 © COPYRIGHT - By - ALL RIGHTS RESERVED.

LOC		DIST		REVISIONS					
DW				P	LTR	DESCRIPTION	DATE	DWN	APVD
				-	-	SEE SHEET 1	-	-	-

2129320-4 : AS SHOWN



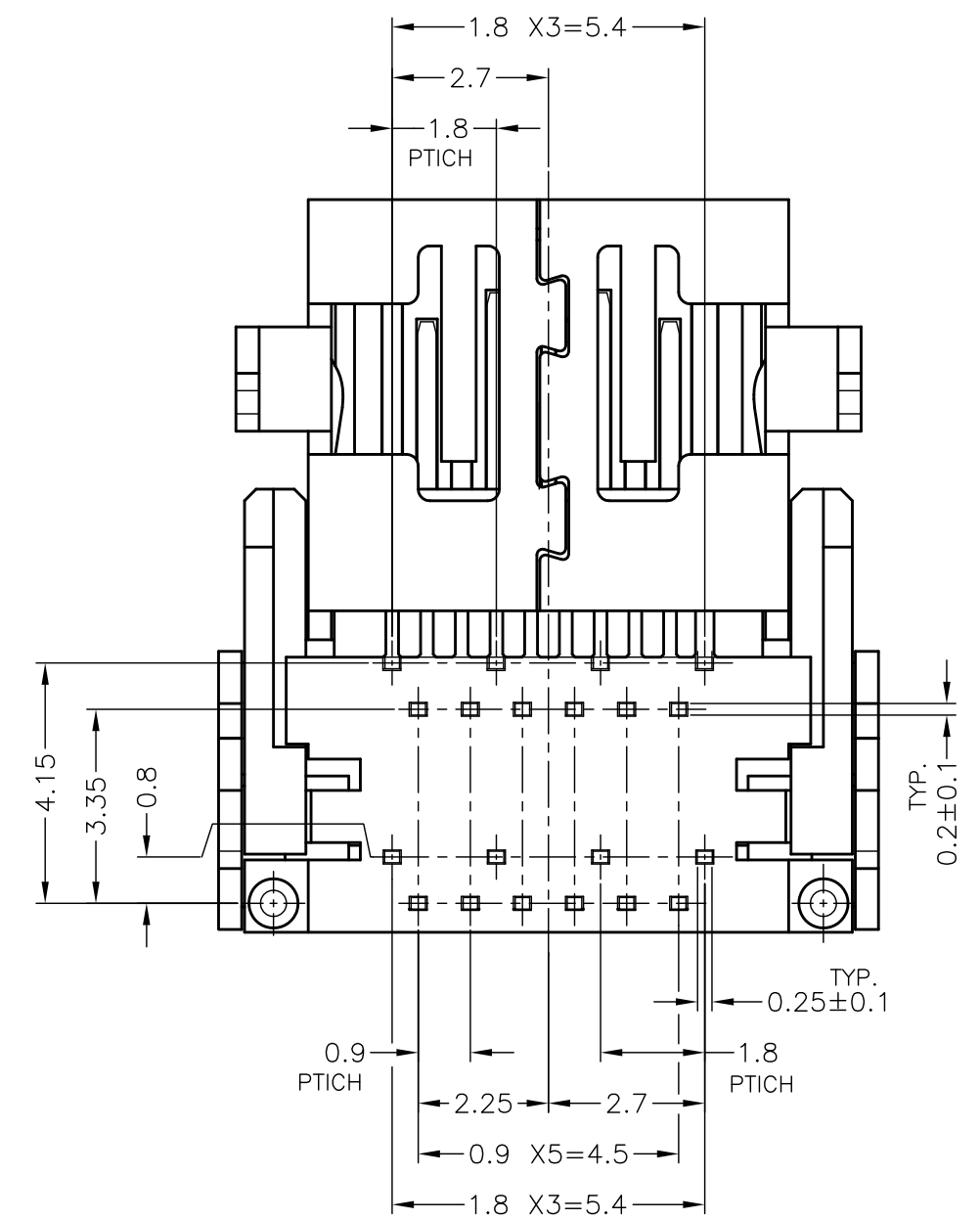
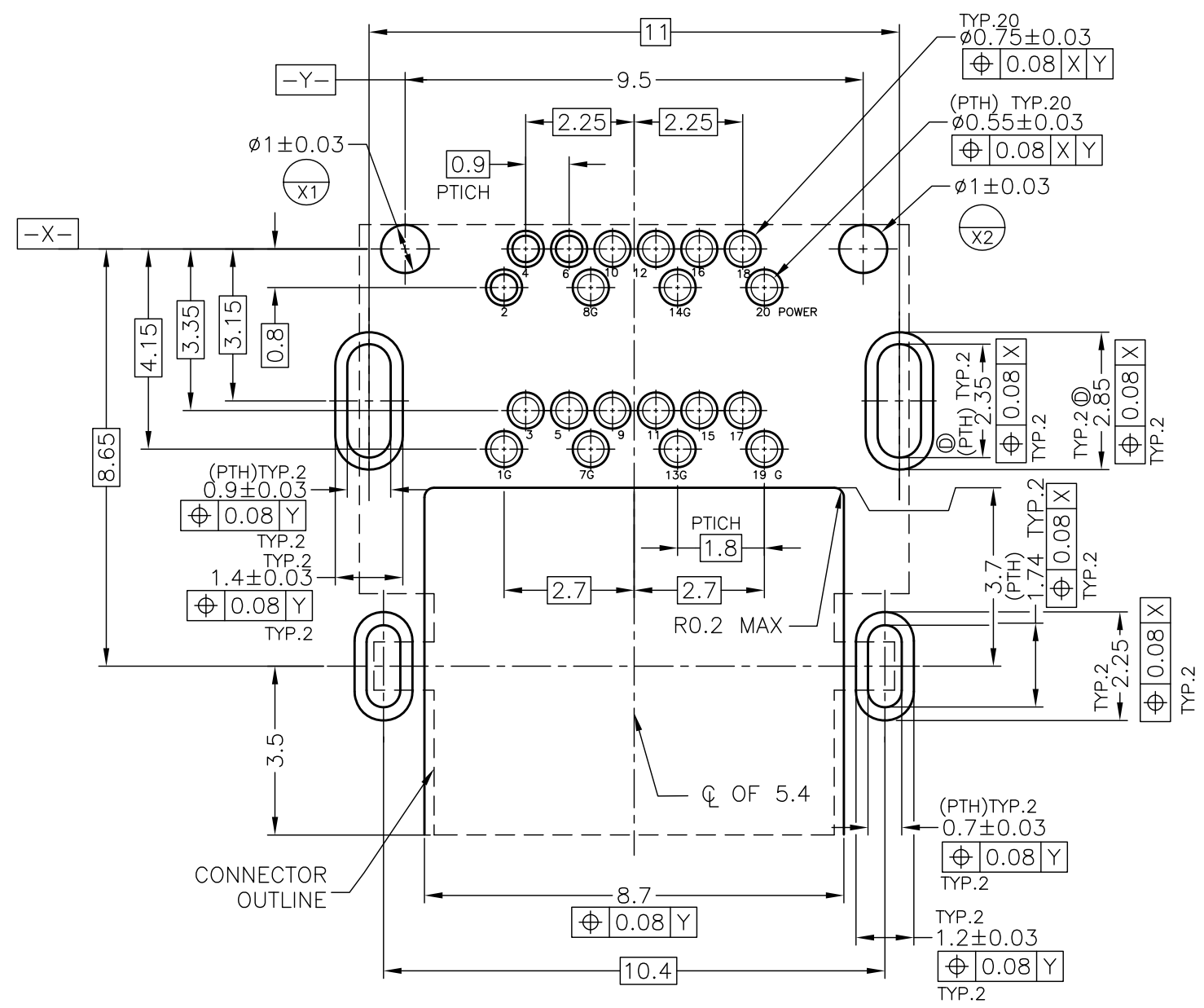
- MATERIAL:**
- ① HOUSING: HIGH TEMPERATURE THERMAL PLASTIC, BLACK, UL94V-0.
 - ② TINE PLATE: HIGH TEMPERATURE THERMAL PLASTIC, BLACK, UL94V-0.
 - ③ CONTACT: COPPER ALLOY.
 - ④ SHELL: STAINLESS STEEL.
- FINISH:**
- CONTACT:
- CONTACT AREA: Au PLATING 0.38 um
 - SOLDER TAIL AREA: MATTE TIN PLATING
 - UNDER PLATING: NICKEL PLATING OVERALL
- SHELL:
- MATTE TIN PL. ALL OVER
 - NICKEL UNDERPLATING ALL OVER
- DATE CODE**
- PICK & PLACE VACUUM AREA**
11. LOW HALOGEN SPECIFICATION
 CHLORINE(Cl) : 900 ppm MAX.
 BROMINE(Br) : 900 ppm MAX.



THIS DRAWING IS A CONTROLLED DOCUMENT.		DWN																			
DIMENSIONS: mm		CHK																			
TOLERANCES UNLESS OTHERWISE SPECIFIED:		APVD																			
<table border="0"> <tr><td>0 PLC</td><td>±</td><td></td></tr> <tr><td>1 PLC</td><td>±</td><td></td></tr> <tr><td>2 PLC</td><td>±</td><td>±0.25</td></tr> <tr><td>3 PLC</td><td>±</td><td></td></tr> <tr><td>4 PLC</td><td>±</td><td></td></tr> <tr><td>ANGLES</td><td>±</td><td>±3</td></tr> </table>		0 PLC	±				1 PLC	±		2 PLC	±	±0.25	3 PLC	±		4 PLC	±		ANGLES	±	±3
0 PLC	±																				
1 PLC	±																				
2 PLC	±	±0.25																			
3 PLC	±																				
4 PLC	±																				
ANGLES	±	±3																			
MATERIAL	FINISH	PRODUCT SPEC	APPLICATION SPEC	MINI DISPLAYPORT RECEPTACLE CONNECTOR 4 ROW TH, REVERSED, OFFSET TYPE																	
SEE NOTE 7	SEE NOTE 8	WEIGHT		SIZE	RESTRICTED TO																
		CUSTOMER DRAWING		A3																	
				CAGE CODE																	
				DRAWING NO																	
				00779																	
				©=2129320																	
				SCALE																	
				8:1																	
				SHEET																	
				4 OF 5																	
				REV																	
				D1																	

THIS DRAWING IS UNPUBLISHED. RELEASED FOR PUBLICATION
 © COPYRIGHT - By - ALL RIGHTS RESERVED.

LOC	DIST	REVISIONS			
P	LTR	DESCRIPTION	DATE	DWN	APVD
DW		SEE SHEET 1	-	-	-



REFERENCE PCB LAYOUT
 MOUNTING SIDE VIEW (THICKNESS=1.2±0.1)
 TOLERANCE: ±0.05

THIS DRAWING IS A CONTROLLED DOCUMENT.		DWN		TE Connectivity	
DIMENSIONS: mm		CHK			
TOLERANCES UNLESS OTHERWISE SPECIFIED:		APVD		NAME	
0 PLC ± 1 PLC ± 2 PLC ± ±0.25 3 PLC ± 4 PLC ± ANGLES ±3 FINISH		PRODUCT SPEC		MINI DISPLAYPORT RECEPTACLE CONNECTOR	
MATERIAL		APPLICATION SPEC		4 ROW TH, REVERSED, OFFSET TYPE	
		WEIGHT		SIZE	RESTRICTED TO
		CUSTOMER DRAWING		A3	
				CAGE CODE	DRAWING NO
				00779	2129320
				SCALE	SHEET
				8:1	5 OF 5
				REV	D1