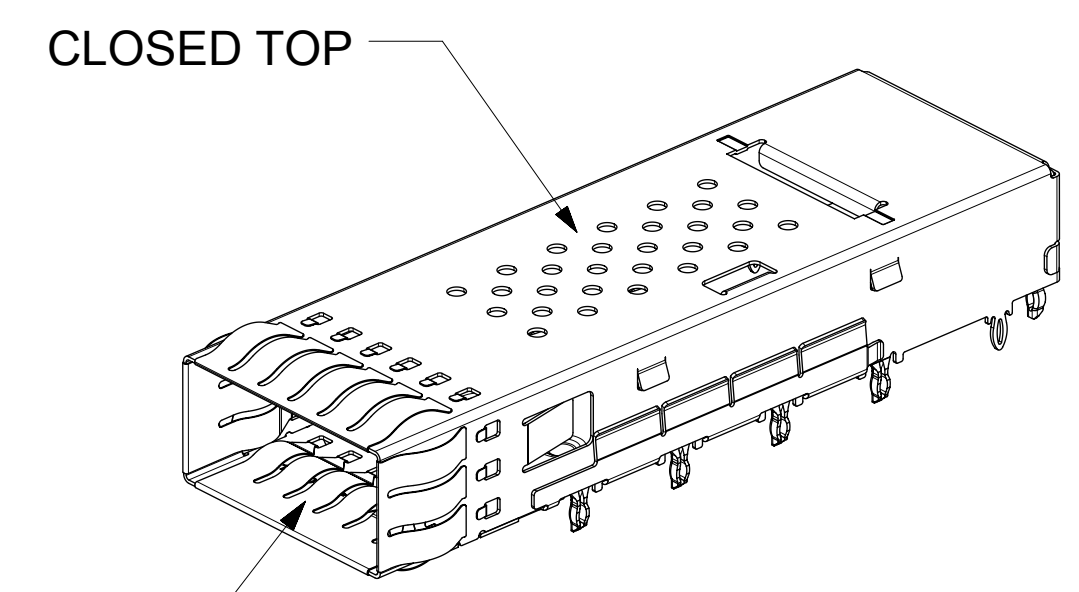
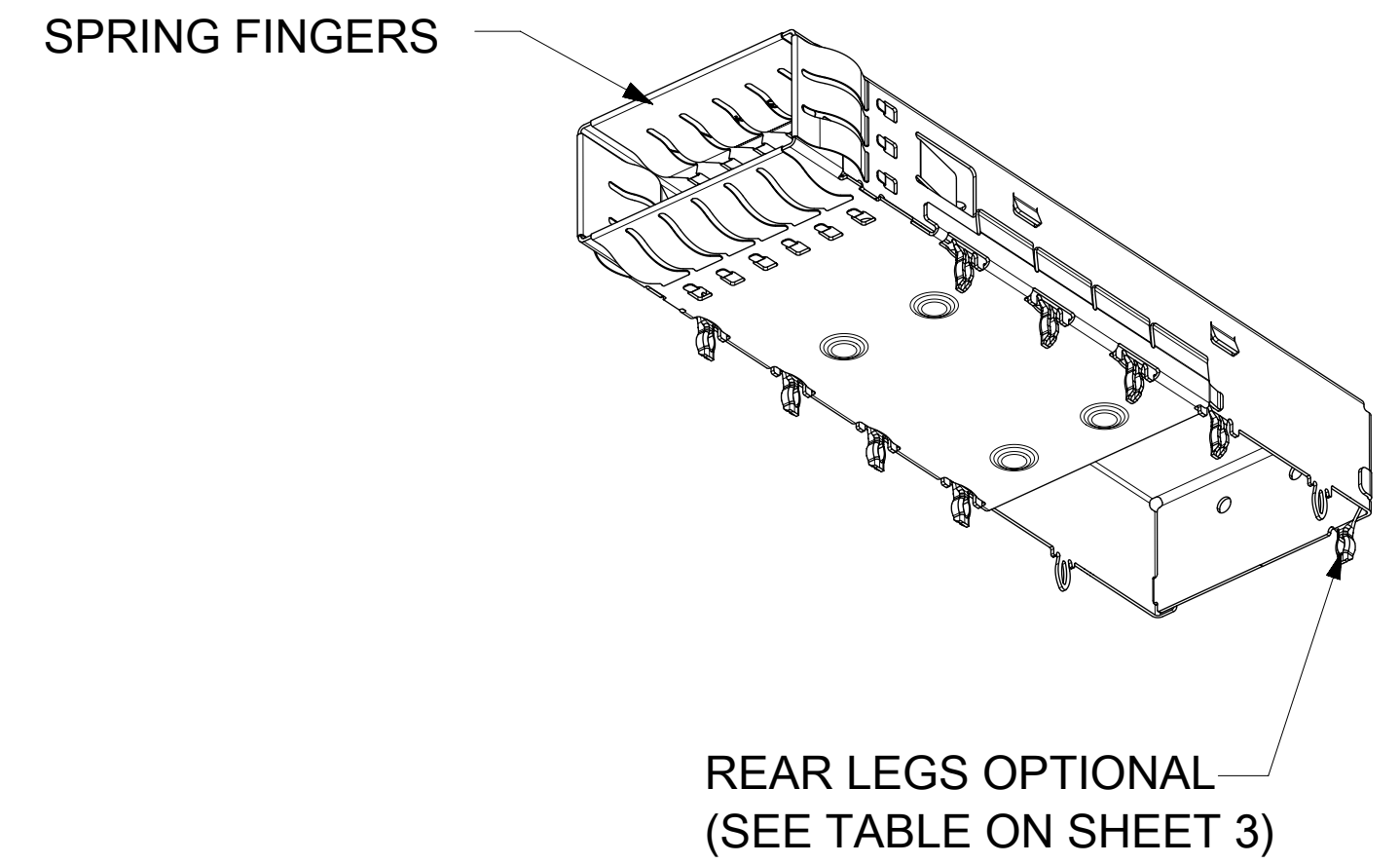
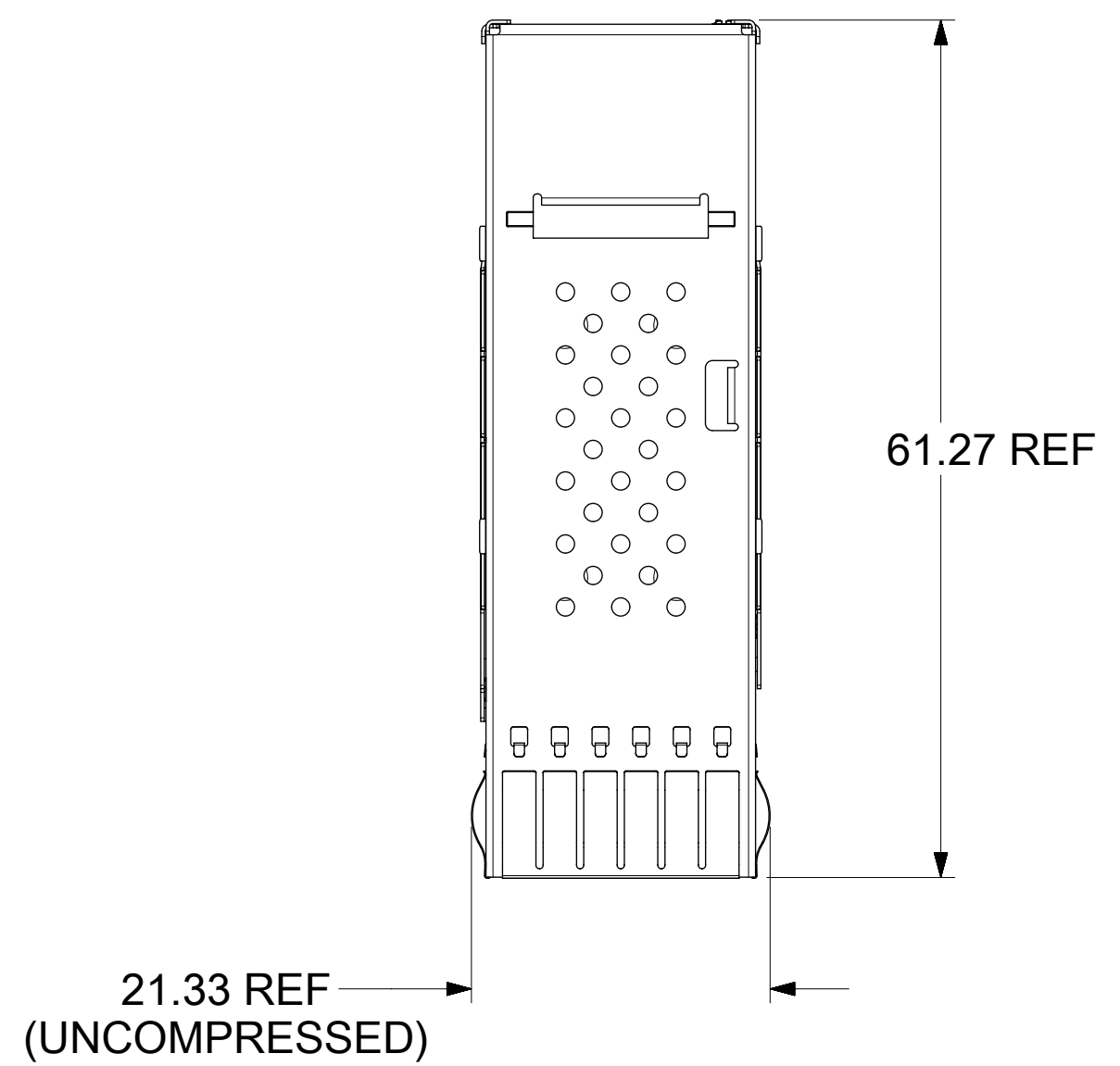


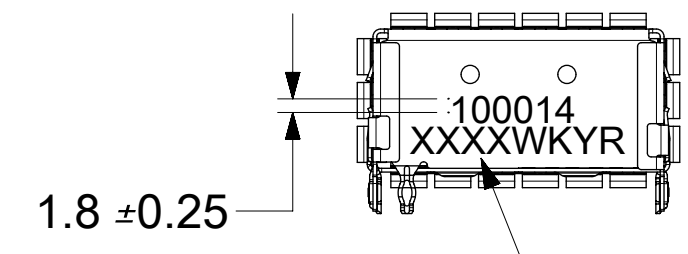
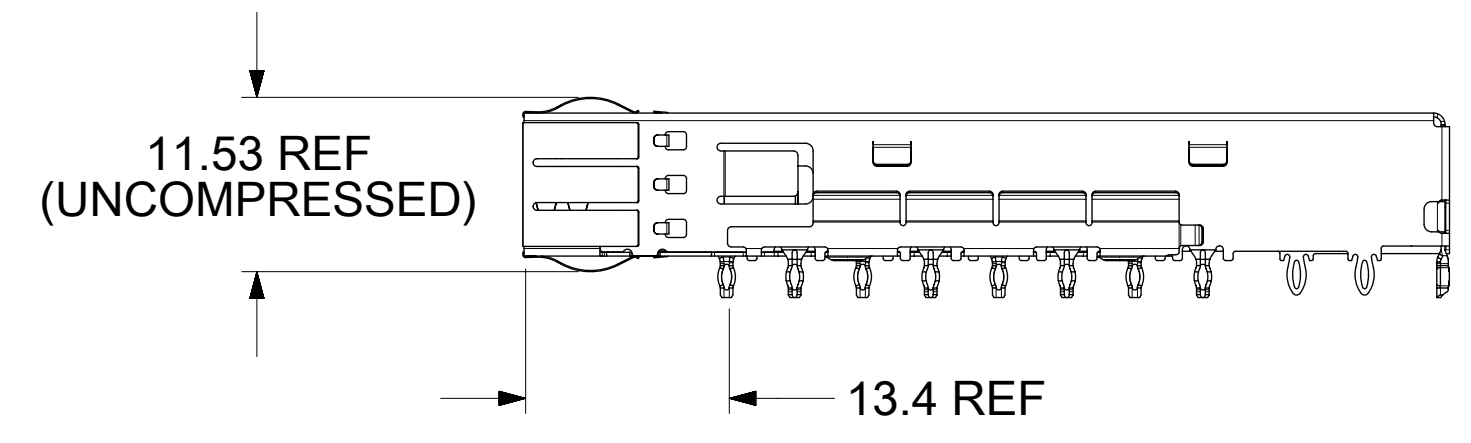
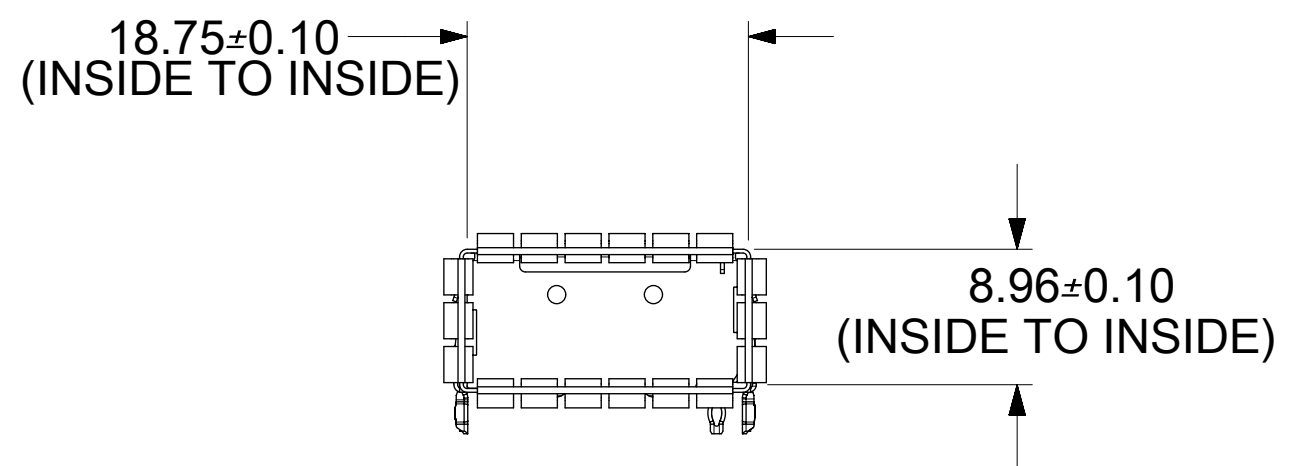
BASE CAGE DETAILS

1000141242

SHOWN



DIMENSIONS OF EACH INNER CAGE DESIGNED TO FUNCTION WITH QUAD SMALL FORM-FACTOR (zQSFP+) TRANSCEIVER



P/N AND WEEK/YEAR DATE CODE TO BE PRINTED ON BACK OF COMPLETED CAGE ASSEMBLY APPROXIMATELY AS SHOWN. SEE TABLE BELOW FOR DATE CODE INFORMATION.

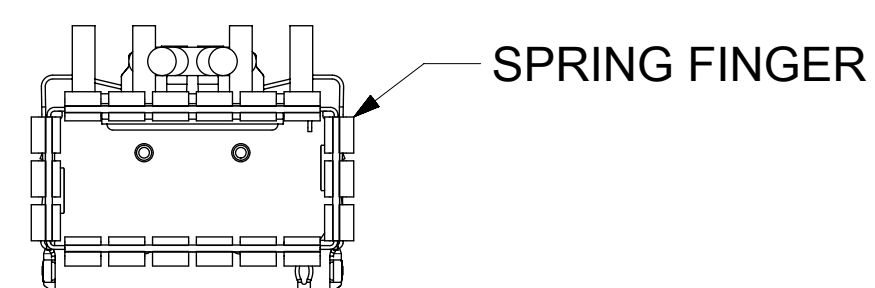
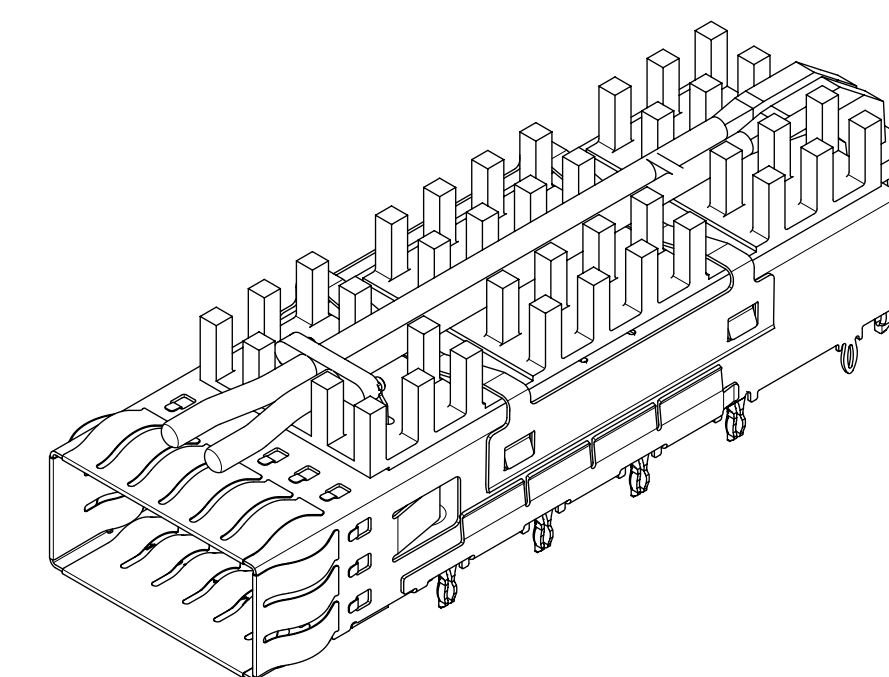
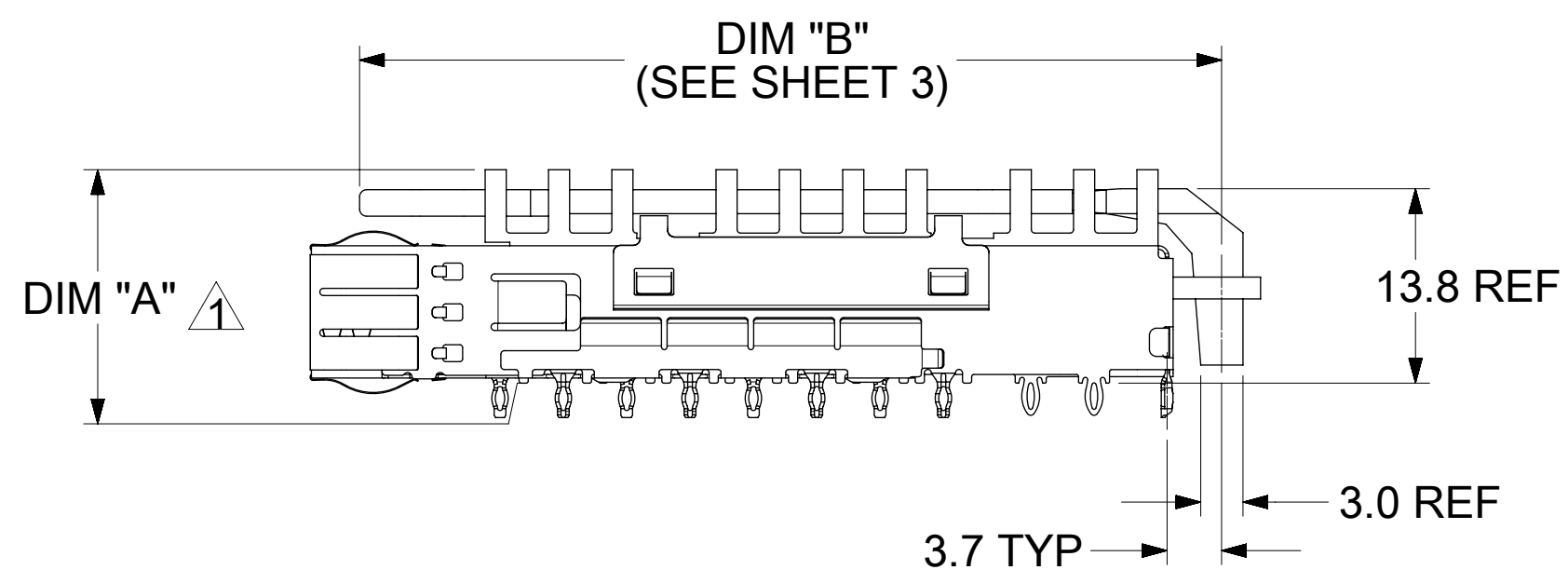
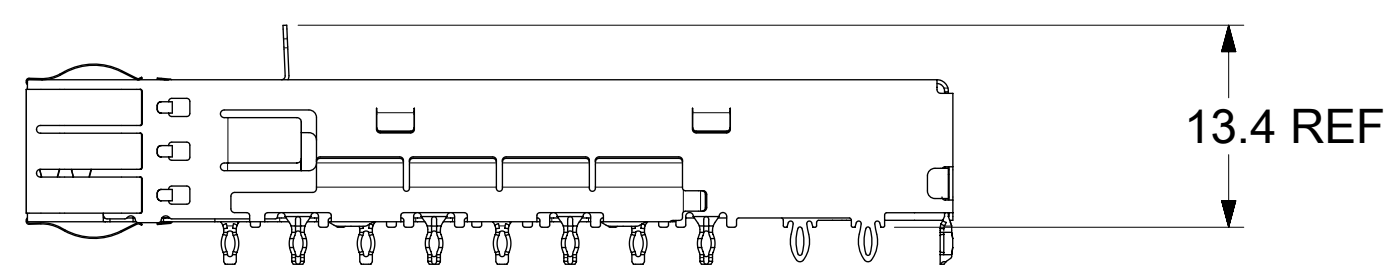
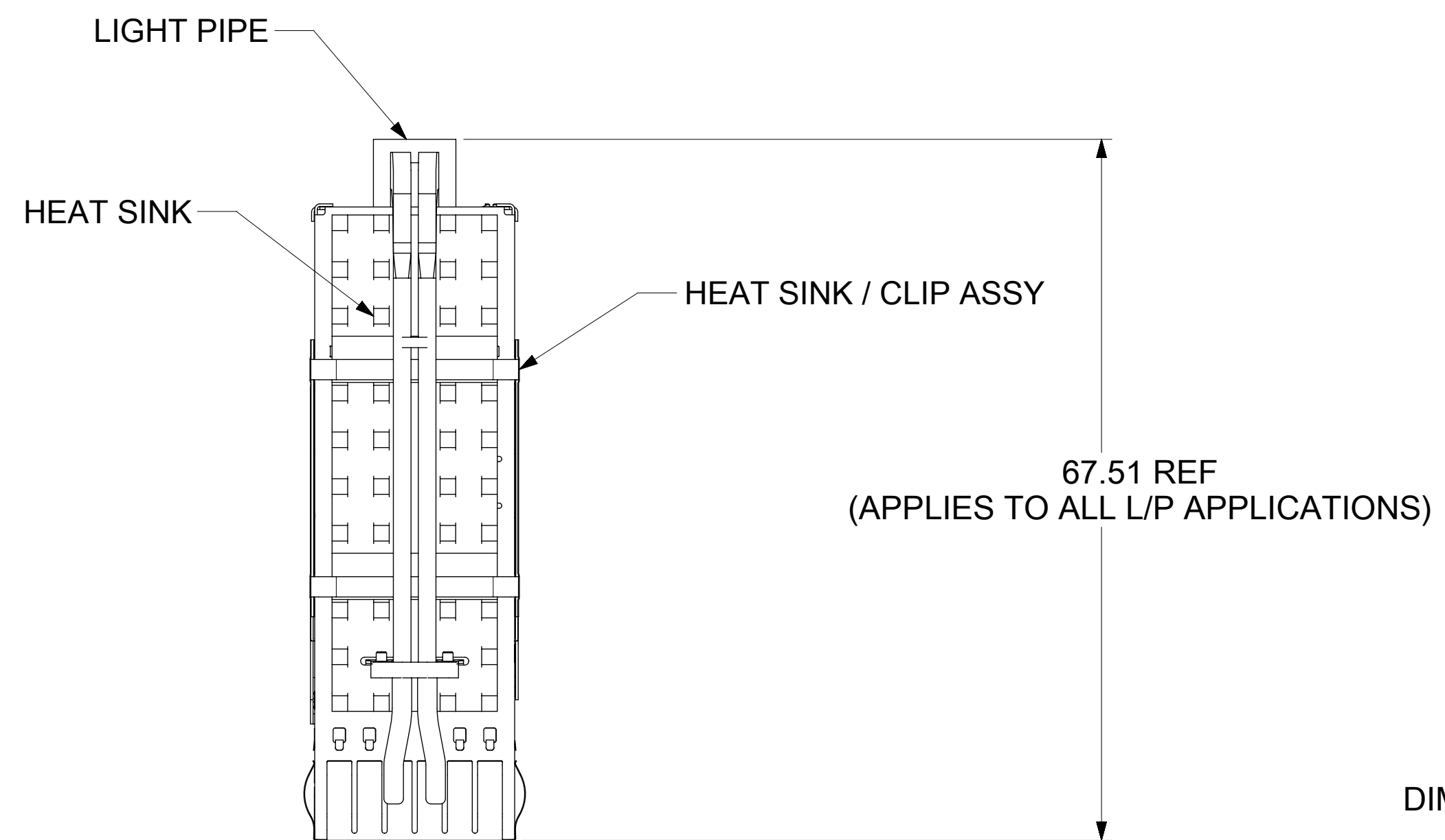
- NOTES:**
- MATERIAL: CAGE: STAINLESS STEEL
 SPRING FINGERS: BERYLLIUM COPPER; NICKEL PLATED
 HEAT SINKS: NICKEL PLATED ALUMINUM
 HEAT SINK CLIP: STAINLESS STEEL
 LIGHT PIPES: POLYCARBONATE (UL 94-V-0)
 - DIMENSIONS MARKED ARE CRITICAL TO FUNCTION OF THE PART AND MUST BE INSPECTED
 - DRAWING APPLIES TO ALL P/N'S SHOWN ON PAGE 3
 - DURING FINAL INSPECTION, CAGE LEG LOCATIONS AND STRAIGHTNESS MUST BE CHECKED USING APPROPRIATE GO - NO GO GAGE
 - DURING FINAL INSPECTION, CAGE MUST BE INSPECTED TO MAKE SURE LEG CONFIGURATIONS AND PART NUMBERS ARE CORRECT, USE SHEETS 3, 4 AND 5
 - PARTS TO BE INSPECTED PER MOLEX COSMETIC SPEC WI-HP-7-2774 (CLASS B UNLESS OTHERWISE SPECIFIED)
 - PRESS-FIT LEGS 2.44 [0.096] LONG -
 1.57 [0.062] MINIMUM PCB THICKNESS FOR SINGLE SIDED USE.
 3.00 [0.118] MINIMUM PCB THICKNESS FOR BELLY TO BELLY USE.
 - NO RoHS EXEMPTIONS

| WEEK/YEAR DATE CODE TABLE | | | | | | | | | | |
|---|---|--|-------|------|---|--|---------|--|----------------|-----------------|
| WK | WEEK OF THE YEAR 01 THRU 52 (EXAMPLE: 01= FIRST WEEK OF YEAR 52= LAST WEEK OF YEAR) | | | | | | | | | |
| YR | 18, 19, 20 ETC.. (EXAMPLE: YEAR 2018= 18) | | | | | | | | | |
| THIS DRAWING CONTAINS INFORMATION THAT IS PROPRIETARY TO MOLEX ELECTRONIC TECHNOLOGIES, LLC AND SHOULD NOT BE USED WITHOUT WRITTEN PERMISSION | | | | | | | | | | |
| SYMBOLS | | CURRENT REV DESC: SEE REVISION TABLE | | | <p>ZQSFP+ 1X1 CAGE ASSY'S (SPRING FINGER) WITH H/S & L/P OPTIONS</p> <p>PRODUCT CUSTOMER DRAWING</p> | | | | | |
| | 0 | mm | SCALE | 2:1 | | | | | | |
| | 0 | GENERAL TOLERANCES (UNLESS SPECIFIED) | | | EC NO: 178204 | | | | | |
| | 0 | ANGULAR TOL ± 2.0° | | | DRWN: MKEMPEGOWDA 2018/05/24 | | | | | |
| | 0 | 4 PLACES | ± | | CHK'D: TKUMARKC 2018/06/19 | | | | | |
| | 0 | 3 PLACES | ± | | APPR: RCHEN08 2018/06/22 | | | | | |
| | 0 | 2 PLACES | ± | 0.13 | INITIAL REVISION: | | | | | |
| | 0 | 1 PLACE | ± | 0.25 | DRWN: PGSHETTY 2015/10/21 | | | | | |
| | 0 | 0 PLACES | ± | | APPR: RCHEN08 2015/11/16 | | | | | |
| | 0 | DRAFT WHERE APPLICABLE MUST REMAIN WITHIN DIMENSIONS | | | THIRD ANGLE PROJECTION | | DRAWING | | SERIES | MATERIAL NUMBER |
| | | | | | D-SIZE | | 100014 | | SEE DRAWING | CUSTOMER |
| | | | | | | | | | GENERAL MARKET | SHEET NUMBER |
| | | | | | | | | | 1000141200 | PSD ASY L |
| | | | | | | | | | 1 OF 8 | |

CAGE ASSEMBLY OPTIONS

1000141544

SHOWN

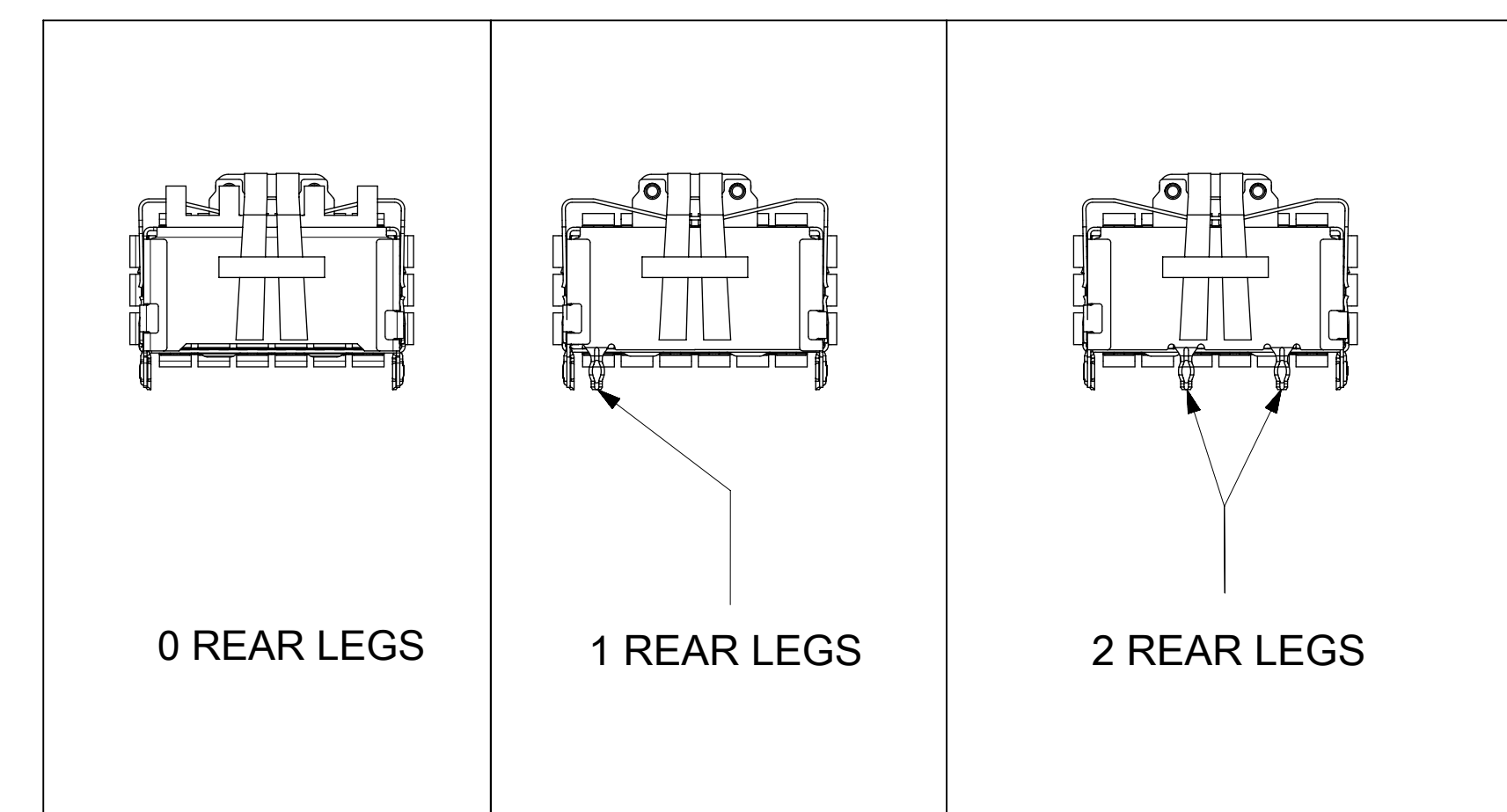


HEATSINK HEIGHT OPTIONS

| OVERALL HEAT SINK HEIGHT | DIM "A" |
|--------------------------|----------|
| PCI | 13.7 REF |
| SAN | 16.0 REF |
| NET | 23.0 REF |

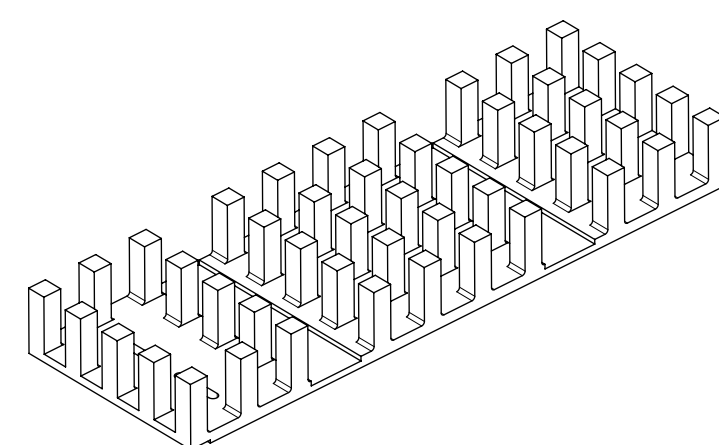
HEIGHT OF HEAT SINK WITH MODULE INSERTED. DIMENSION MAY BE LESS DUE TO MODULE AND HEAT SINK VARIATIONS

REAR LEG OPTIONS

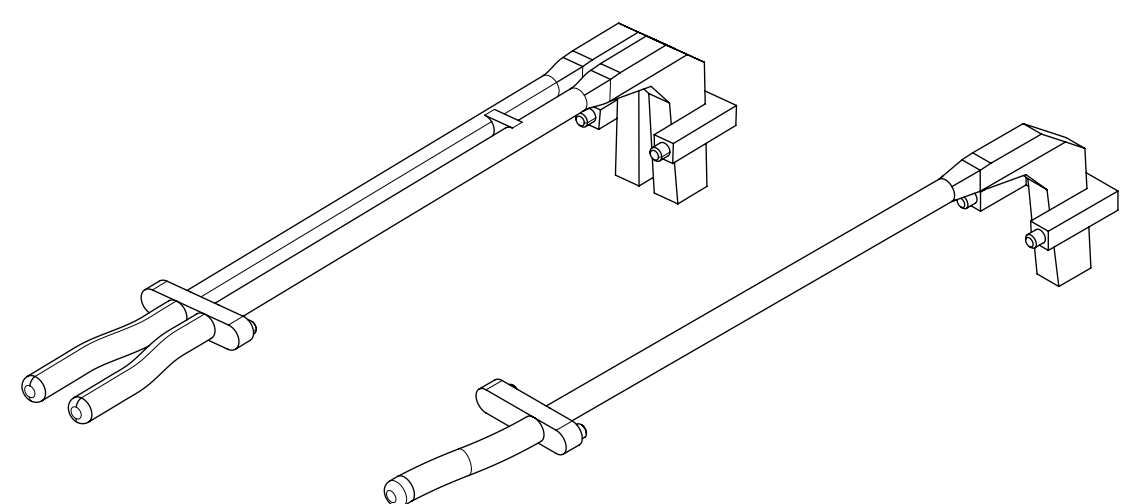


HEATSINK AND LIGHT PIPE COMBINATIONS

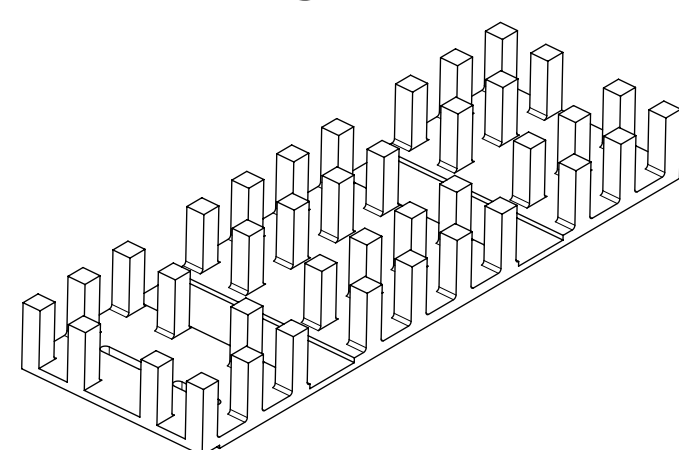
HEAT SINK
USED
WITHOUT
LIGHTPIPE



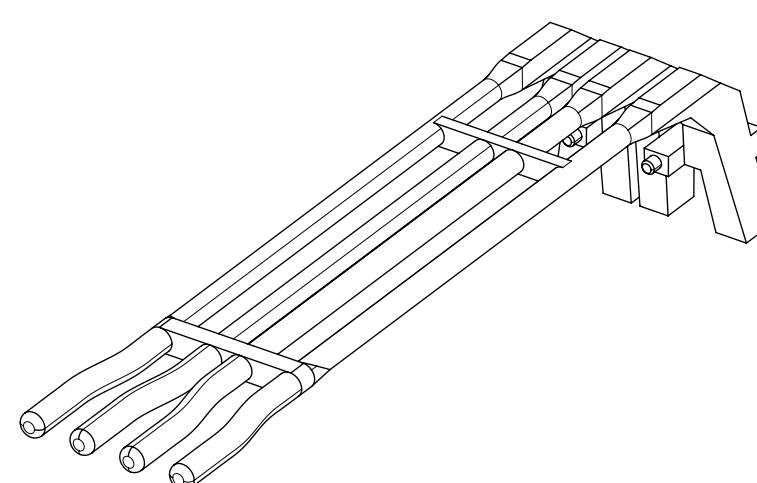
SINGLE / DUAL LIGHT PIPE



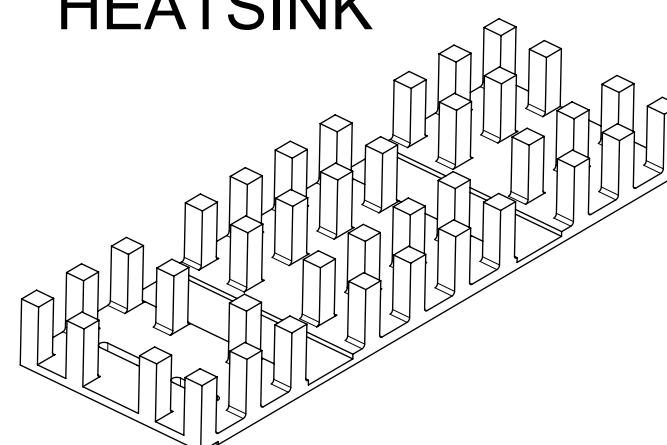
HEATSINK



QUAD LIGHT PIPE



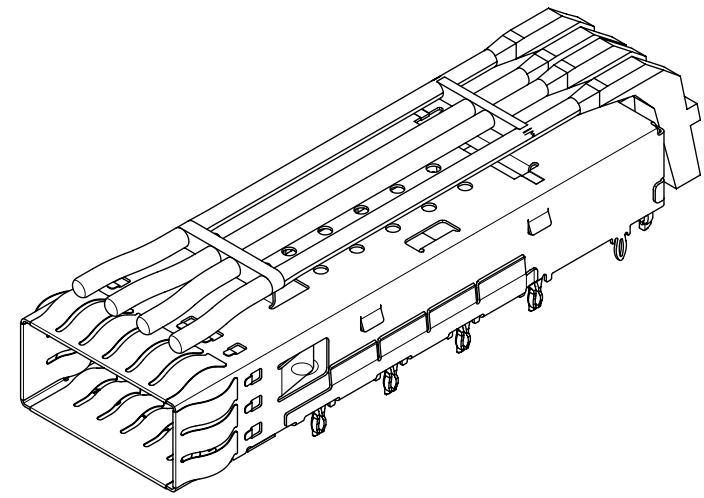
HEATSINK



| | | | | |
|-----------------|---|--------------|--------------------------------------|----------------|
| SYMBOLS | THIS DRAWING CONTAINS INFORMATION THAT IS PROPRIETARY TO MOLEX ELECTRONIC TECHNOLOGIES, LLC AND SHOULD NOT BE USED WITHOUT WRITTEN PERMISSION | | CURRENT REV DESC: SEE REVISION TABLE | |
| | DIMENSION UNITS | SCALE | | |
| = 0 | mm | 2:1 | | |
| = 0 | GENERAL TOLERANCES (UNLESS SPECIFIED) | | | |
| = 0 | ANGULAR TOL ± 2.0° | | | |
| = 0 | 4 PLACES | ± | EC NO: 178204 | |
| = 0 | 3 PLACES | ± | DRWN: MKEMPEGOWDA 2018/05/24 | |
| = 0 | 2 PLACES | ± 0.13 | CHK'D: TKUMARKC 2018/06/19 | |
| = 0 | 1 PLACE | ± 0.25 | APPR: RCHEN08 2018/06/22 | |
| = 0 | 0 PLACES | ± | INITIAL REVISION: | |
| = 0 | DRAFT WHERE APPLICABLE MUST REMAIN WITHIN DIMENSIONS | | THIRD ANGLE PROJECTION | DRAWING SERIES |
| = 0 | | | | D-SIZE 100014 |
| DOCUMENT STATUS | | RELEASE DATE | PRODUCT CUSTOMER DRAWING | |
| P1 | 2018/06/22 | 09:32:12 | DOCUMENT NUMBER | |
| | | | 1000141200 | |
| | | | DOC TYPE | DOC PART |
| | | | PSD | ASY |
| | | | REVISION | L |
| | | | MATERIAL NUMBER | CUSTOMER |
| | | | SEE DRAWING | GENERAL MARKET |
| | | | SHEET NUMBER | |
| | | | 2 OF 8 | |

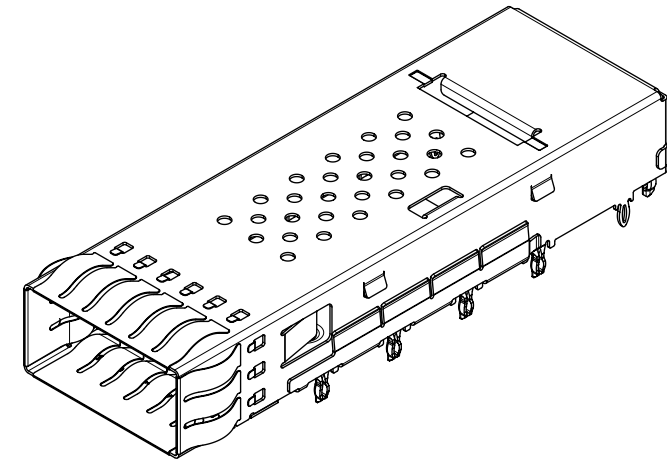
PART NUMBER SELECTION

NO HEATSINKS
WITH LIGHT PIPES
CLOSED TOP



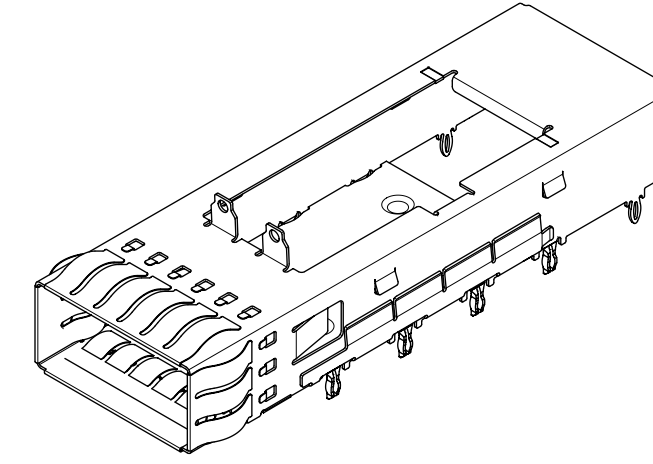
| MOLEX P/N | LIGHT PIPES | #OF REAR LEGS PER PORT | DIM "B" |
|------------|-------------|------------------------|-----------|
| 1000141231 | SINGLE | 0 | 61.07 REF |
| 1000141232 | SINGLE | 1 | 61.07 REF |
| 1000141233 | DUAL | 0 | 61.07 REF |
| 1000141234 | DUAL | 1 | 61.07 REF |
| 1000141235 | QUAD | 0 | 61.07 REF |
| 1000141236 | QUAD | 1 | 61.07 REF |

NO HEATSINKS
NO LIGHT PIPES
CLOSED TOP



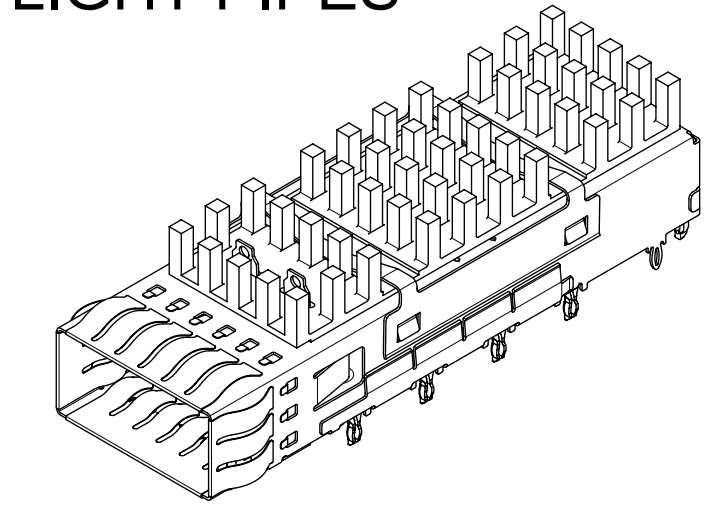
| MOLEX P/N W/ SPRING FINGERS | #OF REAR LEGS PER PORT |
|--------------------------------|---------------------------|
| 1000141240 | 0 |
| 1000141242 | 1 |

NO HEATSINKS
NO LIGHT PIPES
OPEN TOP



| MOLEX P/N W/ SPRING FINGERS | #OF REAR LEGS PER PORT | LP TAB FEATURE |
|--------------------------------|---------------------------|----------------|
| 1000141250 | 0 | YES |
| 1000141252 | 1 | YES |
| 1000141253 | 2 | YES |
| 1000141256 | 2 | NO |

WITH HEATSINKS
NO LIGHT PIPES

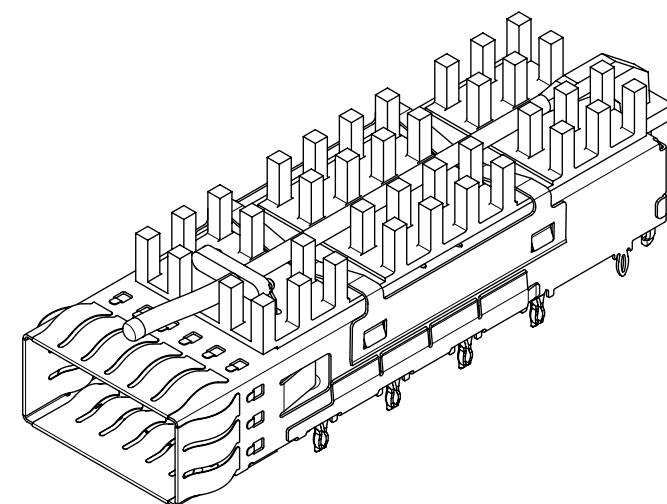


| MOLEX P/N | HEATSINKS | #OF REAR LEGS PER PORT |
|------------|---------------------|------------------------|
| 1000141340 | PCI | 0 |
| 1000141341 | SAN | 0 |
| 1000141342 | NET | 0 |
| 1000141343 | PCI | 1 |
| 1000141344 | SAN | 1 |
| 1000141345 | NET | 1 |
| 1000141346 | PCI | 2 |
| 1000141347 | SAN | 2 |
| 1000141348 | NET | 2 |
| 1000141903 | CUSTOM DIM A=20 REF | 2 |

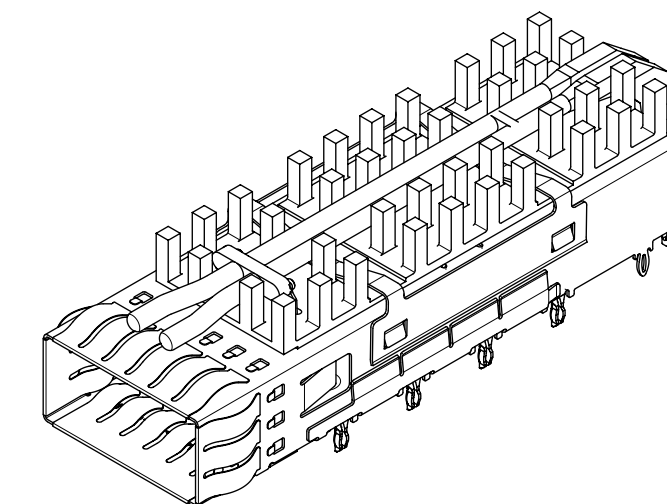
WITH HEATSINKS AND LIGHT PIPES

| MOLEX P/N | LIGHTPIPES | HEATSINKS | #OF REAR LEGS PER PORT | DIM "B" |
|------------|------------|-----------|------------------------|-----------|
| 1000141440 | SINGLE | PCI | 0 | 61.07 REF |
| 1000141441 | SINGLE | SAN | 0 | 61.07 REF |
| 1000141442 | SINGLE | NET | 0 | 61.07 REF |
| 1000141443 | DUAL | PCI | 0 | 61.07 REF |
| 1000141444 | DUAL | SAN | 0 | 61.07 REF |
| 1000141445 | DUAL | NET | 0 | 61.07 REF |
| 1000141446 | QUAD | PCI | 0 | 61.07 REF |
| 1000141447 | QUAD | SAN | 0 | 61.07 REF |
| 1000141448 | QUAD | NET | 0 | 61.07 REF |
| 1000141540 | SINGLE | PCI | 1 | 61.07 REF |
| 1000141541 | SINGLE | SAN | 1 | 61.07 REF |
| 1000141542 | SINGLE | NET | 1 | 61.07 REF |
| 1000141543 | DUAL | PCI | 1 | 61.07 REF |
| 1000141544 | DUAL | SAN | 1 | 61.07 REF |
| 1000141545 | DUAL | NET | 1 | 61.07 REF |
| 1000141546 | QUAD | PCI | 1 | 61.07 REF |
| 1000141547 | QUAD | SAN | 1 | 61.07 REF |
| 1000141548 | QUAD | NET | 1 | 61.07 REF |
| 1000141640 | SINGLE | PCI | 2 | 61.07 REF |
| 1000141641 | SINGLE | SAN | 2 | 61.07 REF |
| 1000141642 | SINGLE | NET | 2 | 61.07 REF |
| 1000141643 | DUAL | PCI | 2 | 61.07 REF |
| 1000141644 | DUAL | SAN | 2 | 61.07 REF |
| 1000141645 | DUAL | NET | 2 | 61.07 REF |
| 1000141646 | QUAD | PCI | 2 | 61.07 REF |
| 1000141647 | QUAD | SAN | 2 | 61.07 REF |
| 1000141648 | QUAD | NET | 2 | 61.07 REF |
| 1000141744 | DUAL | SAN | 2 | 59.47 REF |

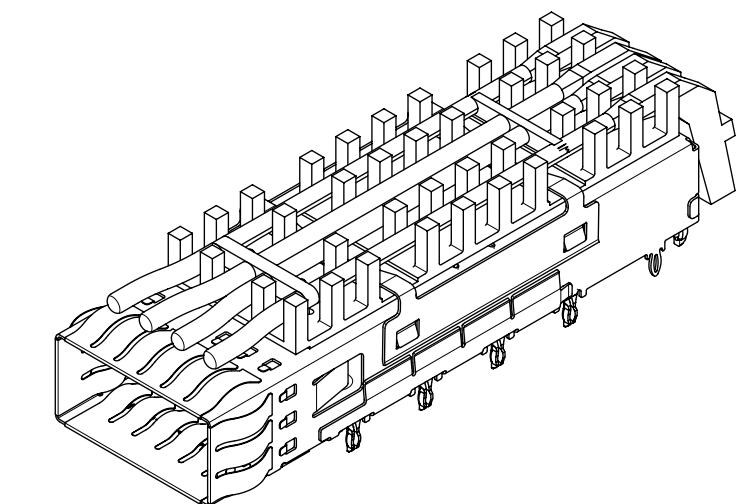
SINGLE LIGHT PIPE



DUAL LIGHT PIPE



QUAD LIGHT PIPE



| | | | | |
|-----------------|---|--------|--------------------------------------|---------------------|
| SYMBOLS | THIS DRAWING CONTAINS INFORMATION THAT IS PROPRIETARY TO MOLEX ELECTRONIC TECHNOLOGIES, LLC AND SHOULD NOT BE USED WITHOUT WRITTEN PERMISSION | | CURRENT REV DESC: SEE REVISION TABLE | |
| | DIMENSION UNITS | SCALE | | |
| ▽ = 0 | mm | 1.5:1 | | |
| ▽ = 0 | GENERAL TOLERANCES (UNLESS SPECIFIED) | | | |
| ▽ = 0 | ANGULAR TOL ± 2.0° | | | |
| ▽ = 0 | 4 PLACES | ± | EC NO: 178204 | |
| ▽ = 0 | 3 PLACES | ± | DRWN: MKEMPEGOWDA 2018/05/24 | |
| ▽ = 0 | 2 PLACES | ± 0.13 | CHK'D: TKUMARKC 2018/06/19 | |
| ▽ = 0 | 1 PLACE | ± 0.25 | APPR: RCHEN08 2018/06/22 | |
| ▽ = 0 | 0 PLACES | ± | INITIAL REVISION: | |
| ☒ = 0 | DRAFT WHERE APPLICABLE MUST REMAIN WITHIN DIMENSIONS | | THIRD ANGLE PROJECTION | DRAWING |
| ▽ = 0 | | | | SERIES |
| | | | D-SIZE | 100014 |
| DOCUMENT STATUS | | P1 | RELEASE DATE | 2018/06/22 09:32:12 |
| | | | DOCUMENT NUMBER | 1000141200 |
| | | | DOC TYPE | PSD |
| | | | DOC PART | ASY |
| | | | REVISION | L |
| | | | MATERIAL NUMBER | SEE DRAWING |
| | | | CUSTOMER | GENERAL MARKET |
| | | | SHEET NUMBER | 3 OF 8 |

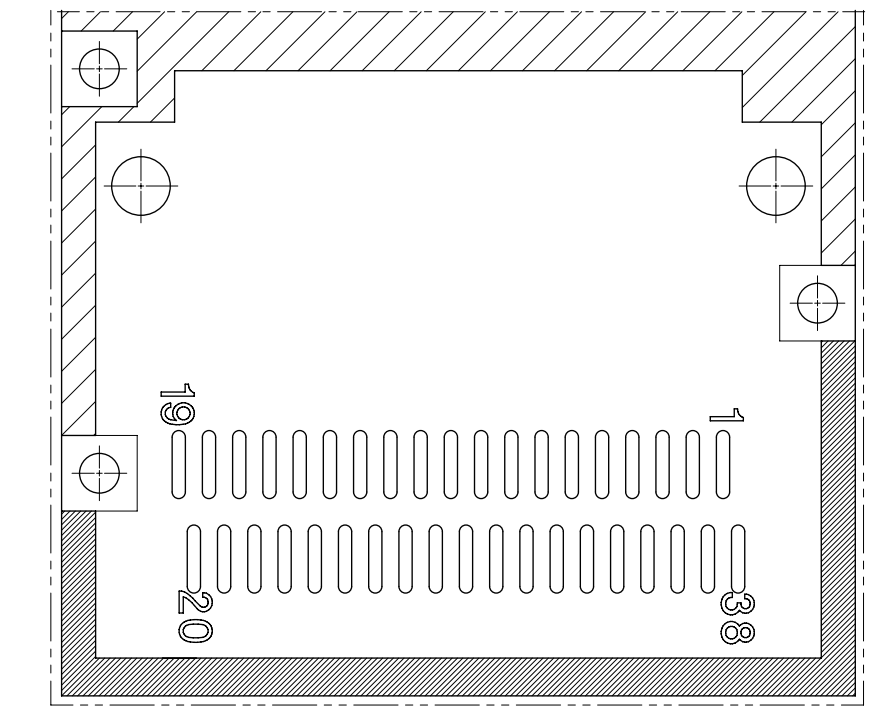
molex

ZQSFP+ 1X1 CAGE
ASSY'S (SPRING FINGER) WITH H/S & L/P OPTIONS

PRODUCT CUSTOMER DRAWING

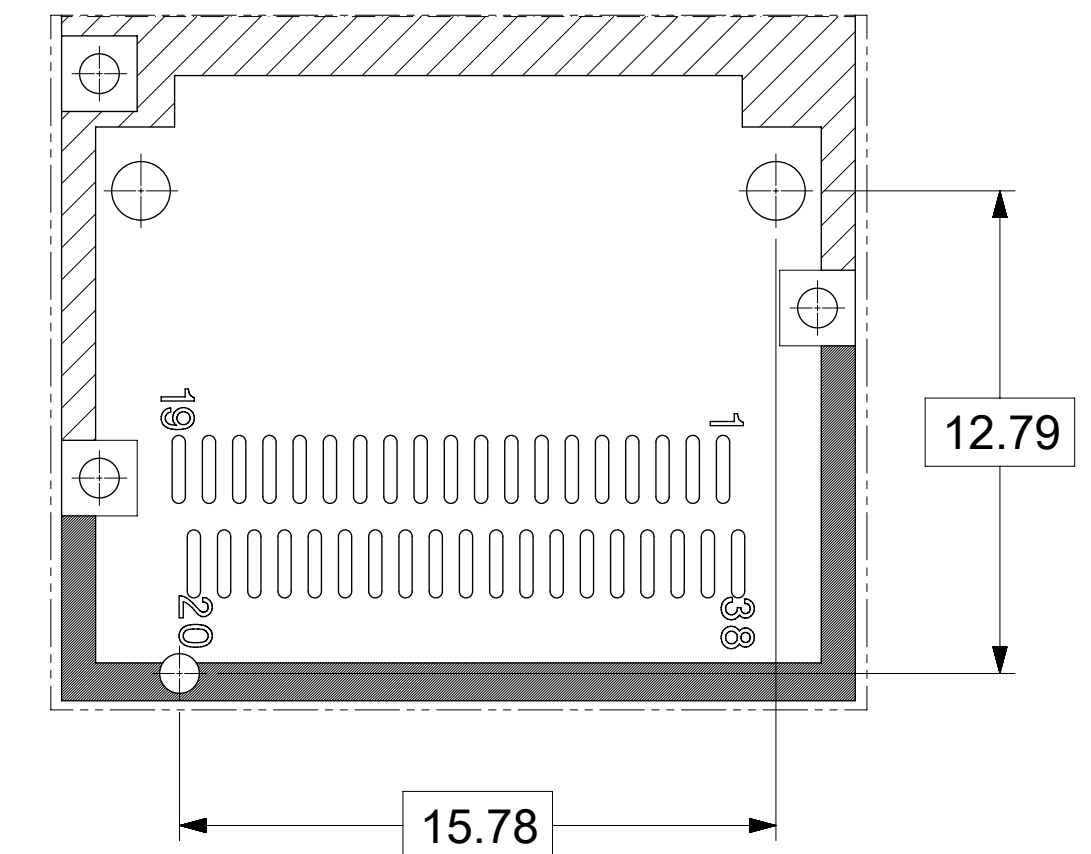
PCB LAYOUT FOR SINGLE SIDED MOUNTING

NO REAR LEGS



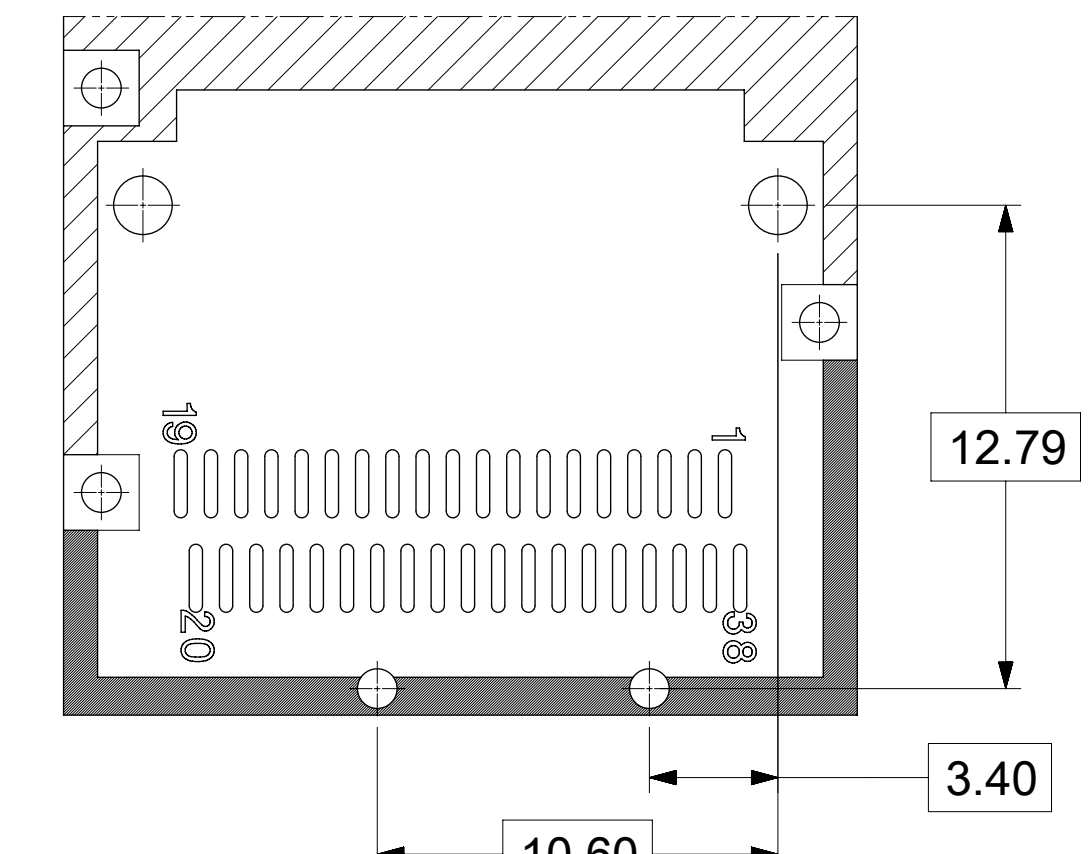
PARTIAL 1
SCALE 5:1

1 REAR LEG

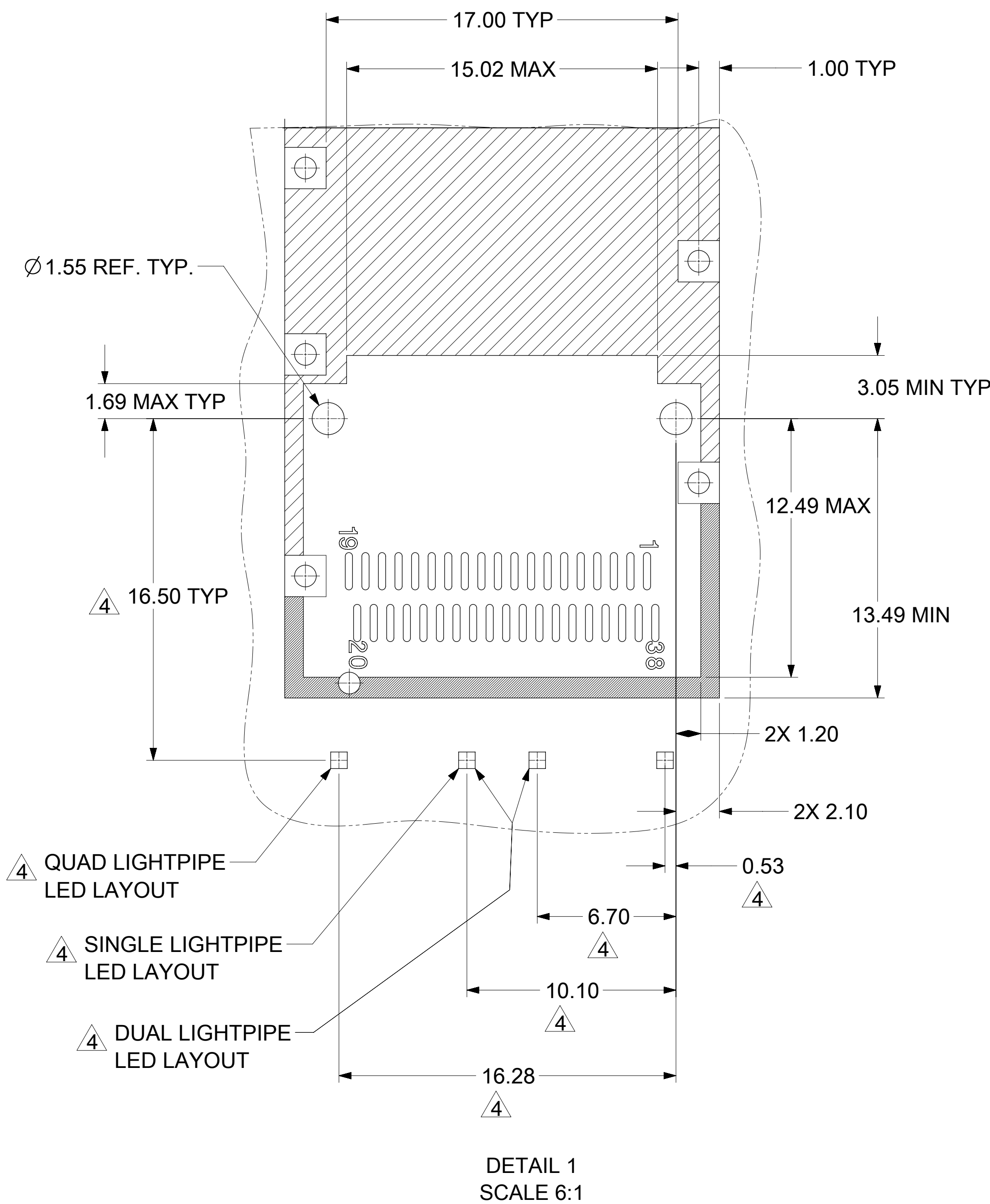


PARTIAL 2
SCALE 5:1

2 REAR LEGS



PARTIAL 3
SCALE 5:1



DETAIL 1
SCALE 6:1

HATCHED AREA DENOTES
COMPONENT AND TRACE KEEP-OUT
(EXCEPT CHASSIS GROUND)

Ø 1.05 ± 0.05 TYP
Ø 0.10 (M) A K L

AREA DENOTES
COMPONENT KEEP-OUT
(TRACES ALLOWED)

DATUM -A- IS THE TOP
SURFACE OF HOST BOARD

CROSS HATCHED AREA DENOTES
WHERE SURFACE TRACES
ARE PERMITTED

SEE DETAIL 1

37.00 MAX

34.60

30.10

25.60

21.10

16.60

12.10

7.60

3.10

3.10

7.60

12.79

0.00

0.00

HOLE OF
ADJACENT CAGE

17.90

16.80

1.10

4.50

NOTES:

1. PADS AND VIAS GO TO CHASSIS GROUND. (RECOMMENDED PADS TO BE 2.00mm SQUARE.)
2. RECOMMENDED THRU HOLE PLATING INCLUDES HASL, OSP, OR IMMERSION (GOLD, SILVER, OR TIN).
3. CONNECTOR PAD LAYOUT PER SFF-8663 WILL ACCOMMODATE MOLEX CONNECTOR SERIES 170432.
4. NOTED DIMENSIONS ONLY APPLY TO CAGE ASSEMBLIES WITH LIGHT PIPES.

| | | | |
|--------------------------------------|--|---|---------------------|
| SYMBOLS | | THIS DRAWING CONTAINS INFORMATION THAT IS PROPRIETARY TO MOLEX ELECTRONIC TECHNOLOGIES, LLC AND SHOULD NOT BE USED WITHOUT WRITTEN PERMISSION | |
| ▽ = 0 | mm | SCALE | 3.5:1 |
| ▽ = 0 | GENERAL TOLERANCES (UNLESS SPECIFIED) | | |
| ▽ = 0 | ANGULAR TOL ± 2.0° | | |
| ▽ = 0 | 4 PLACES | ± | |
| ▽ = 0 | 3 PLACES | ± | |
| ▽ = 0 | 2 PLACES | ± | 0.13 |
| ▽ = 0 | 1 PLACE | ± | 0.25 |
| ▽ = 0 | 0 PLACES | ± | |
| ▽ = 0 | DRAFT WHERE APPLICABLE MUST REMAIN WITHIN DIMENSIONS | | |
| CURRENT REV DESC: SEE REVISION TABLE | | EC NO: 178204 | |
| | | DRWN: MKEMPEGOWDA 2018/05/24 | |
| | | CHK'D: TKUMARKC 2018/06/19 | |
| | | APPR: RCHEN08 2018/06/22 | |
| | | INITIAL REVISION: | |
| | | DRWN: PGSHETTY 2015/10/21 | |
| | | APPR: RCHEN08 2015/11/16 | |
| THIRD ANGLE PROJECTION | | DRAWING | SERIES |
| D-SIZE | | 100014 | |
| MATERIAL NUMBER | | CUSTOMER | SHEET NUMBER |
| 1000141200 | | GENERAL MARKET | 4 OF 8 |
| DOCUMENT NUMBER | | DOC TYPE | DOC PART |
| 1000141200 | | PSD | ASY |
| REVISION | | | L |
| P1 | | RELEASE DATE | 2018/06/22 09:32:12 |

molex

ZQSFP+ 1X1 CAGE
ASSY'S (SPRING FINGER) WITH H/S & L/P OPTIONS

PRODUCT CUSTOMER DRAWING

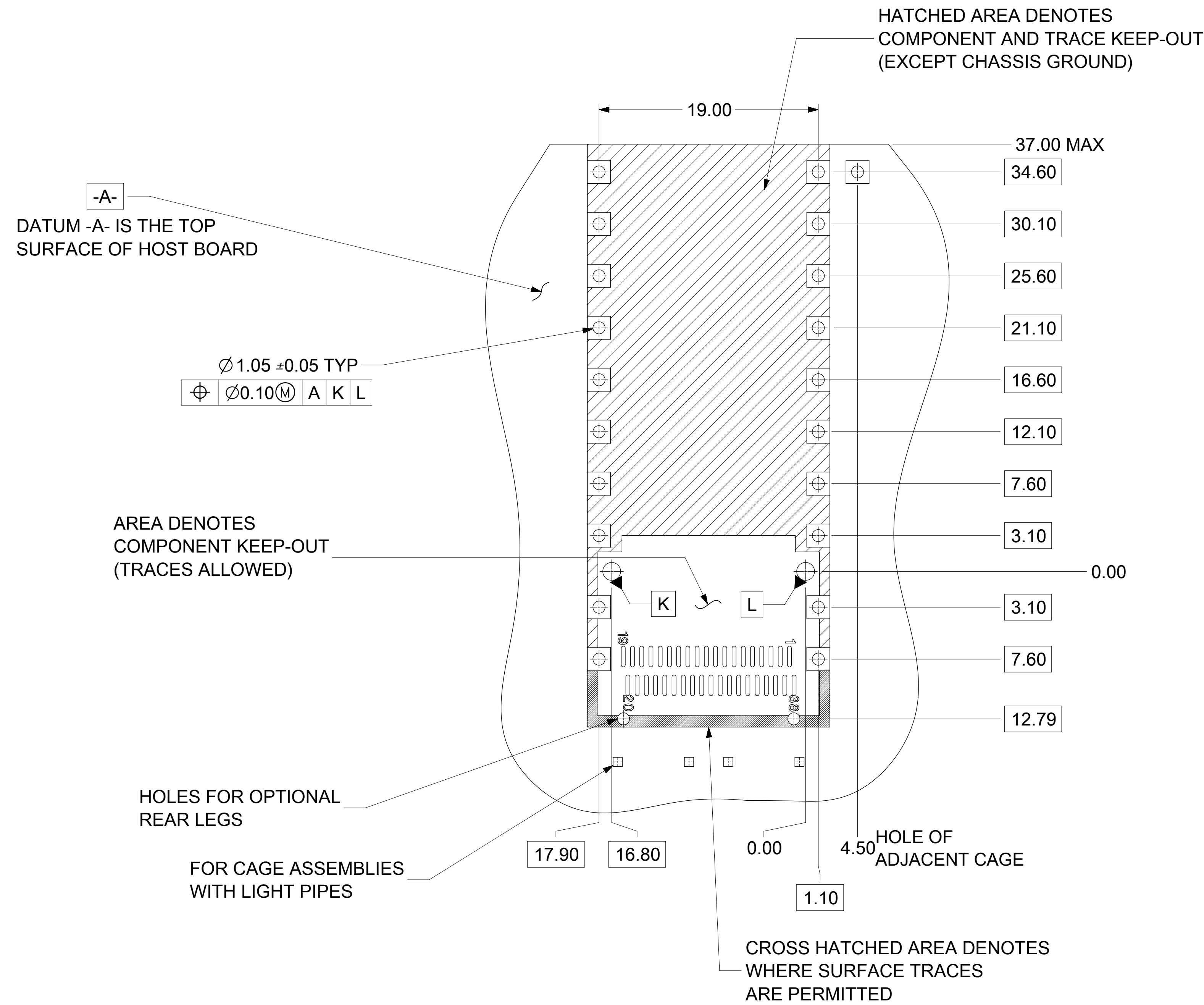
DOCUMENT NUMBER DOC TYPE DOC PART REVISION

1000141200 PSD ASY L

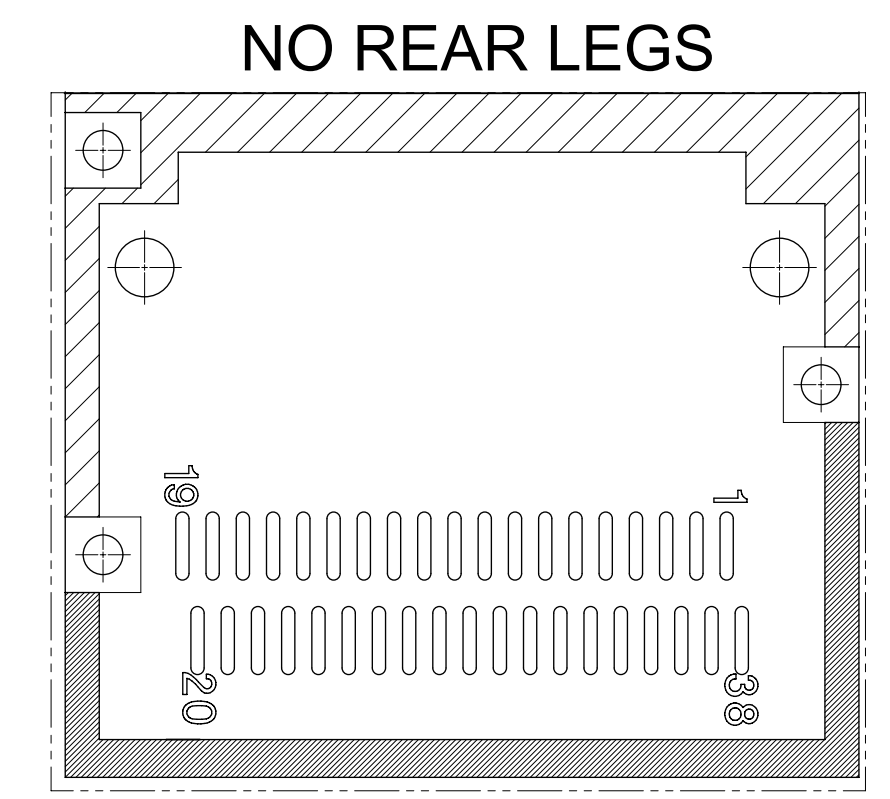
MATERIAL NUMBER CUSTOMER SHEET NUMBER

SEE DRAWING GENERAL MARKET 4 OF 8

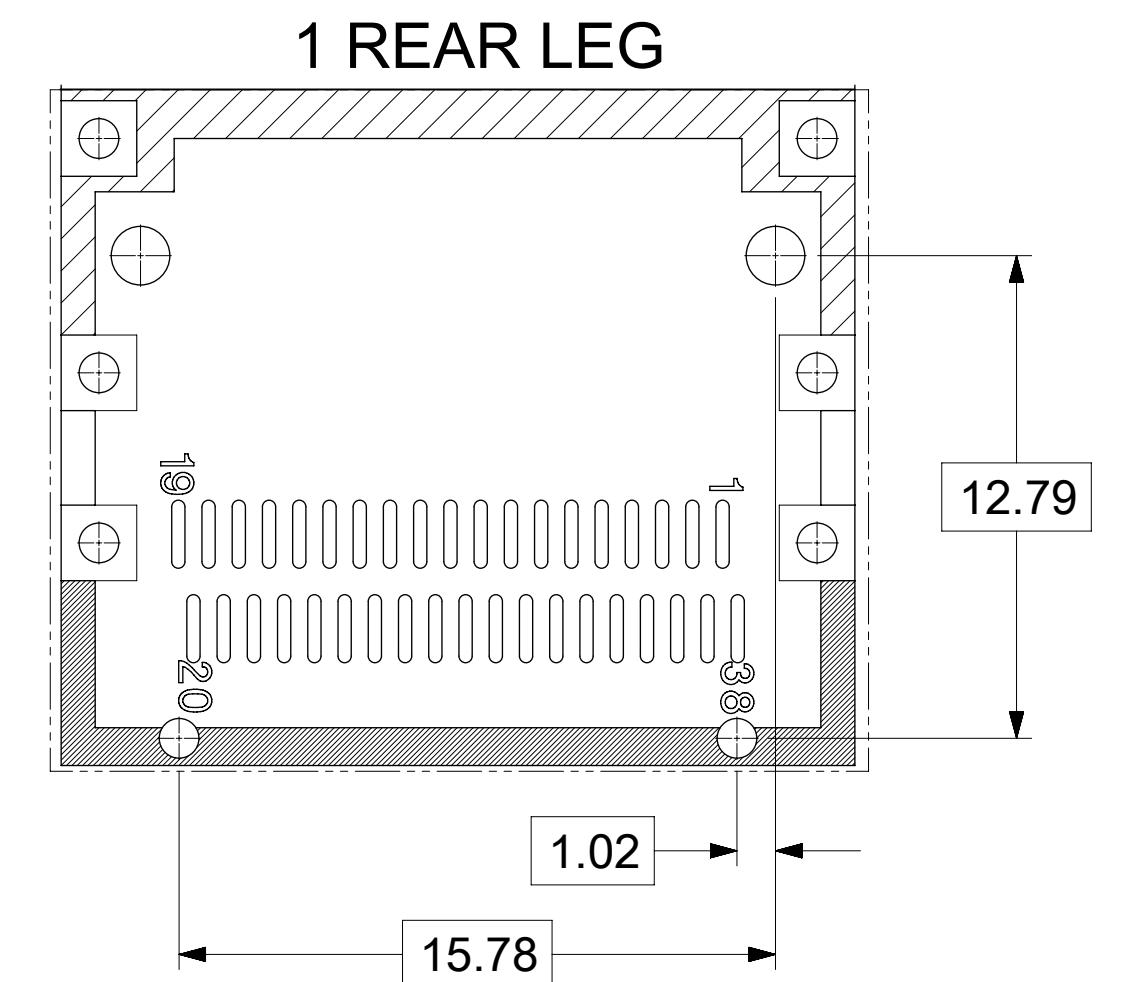
PCB LAYOUT FOR BELLY TO BELLY MOUNTING



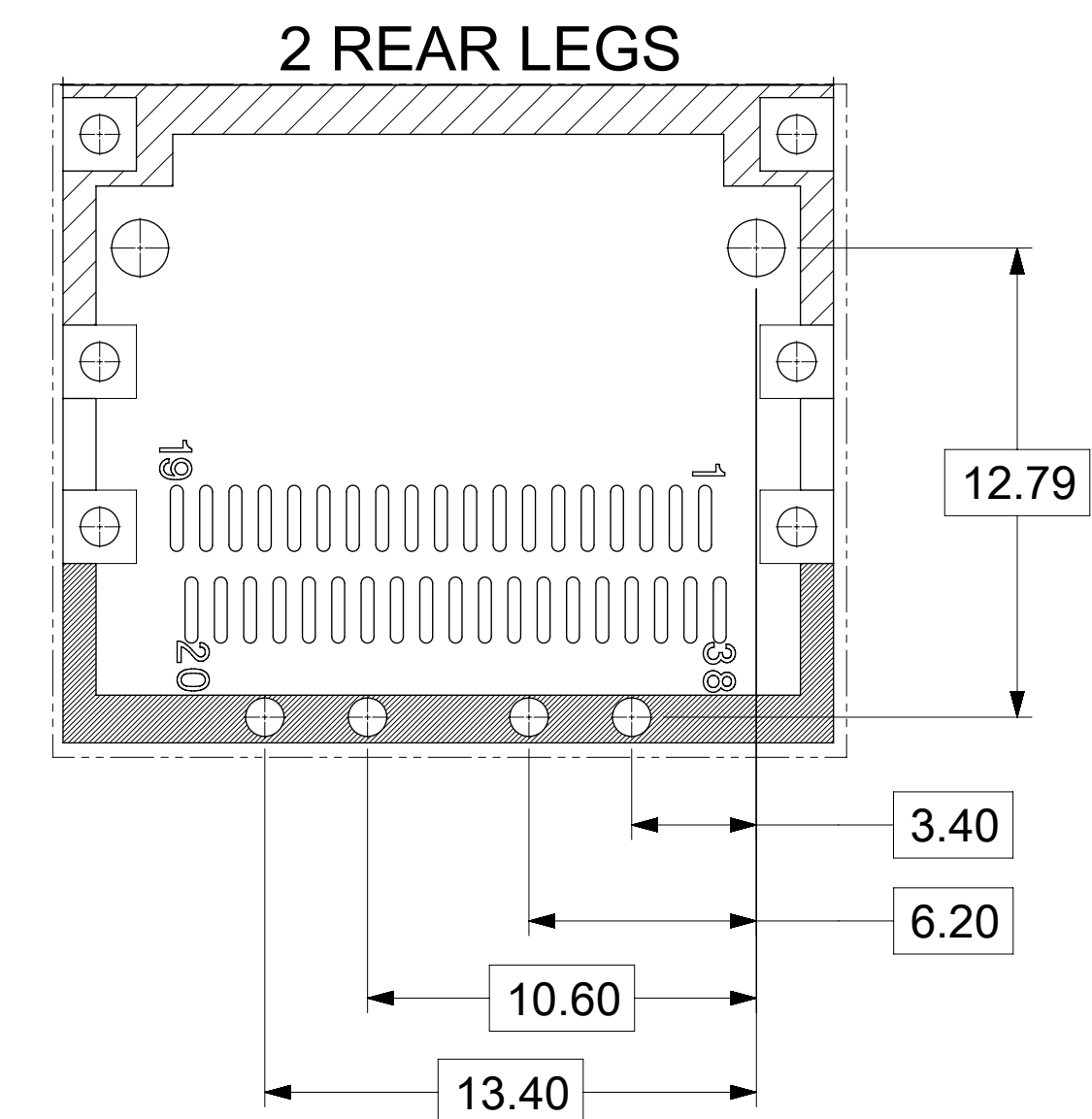
NOTE:
SEE SHEET 4 FOR
HOST CONNECTOR DETAIL
AND LED LOCATION DETAILS



PARTIAL 1
SCALE 5:1



PARTIAL 5
SCALE 5:1



PARTIAL 6
SCALE 5:1

- NOTES:
1. PADS AND VIAS GO TO CHASSIS GROUND. (RECOMMENDED PADS TO BE 2.00mm SQUARE.)
 2. RECOMMENDED THRU HOLE PLATING INCLUDES HASL, OSP, OR IMMERSION (GOLD, SILVER, OR TIN).
 3. CONNECTOR PAD LAYOUT PER SFF-8663 WILL ACCOMODATE MOLEX CONNECTOR SERIES 170432.

| | | | | | |
|--------------|---|------------------------|--------------------------------------|----------------|--------------|
| SYMBOLS | THIS DRAWING CONTAINS INFORMATION THAT IS PROPRIETARY TO MOLEX ELECTRONIC TECHNOLOGIES, LLC AND SHOULD NOT BE USED WITHOUT WRITTEN PERMISSION | | CURRENT REV DESC: SEE REVISION TABLE | | |
| | DIMENSION UNITS | SCALE | | | |
| $\nabla = 0$ | mm | 4:1 | | | |
| $\nabla = 0$ | GENERAL TOLERANCES (UNLESS SPECIFIED) | | | | |
| $\nabla = 0$ | ANGULAR TOL | $\pm 2.0^\circ$ | | | |
| $\nabla = 0$ | 4 PLACES | \pm | | | |
| $\nabla = 0$ | 3 PLACES | \pm | | | |
| $\nabla = 0$ | 2 PLACES | ± 0.13 | | | |
| $\nabla = 0$ | 1 PLACE | ± 0.25 | | | |
| $\nabla = 0$ | 0 PLACES | \pm | | | |
| $\nabla = 0$ | DRAFT WHERE APPLICABLE MUST REMAIN WITHIN DIMENSIONS | THIRD ANGLE PROJECTION | DRAWING | SERIES | |
| $\nabla = 0$ | | $\nabla = 0$ | D-SIZE | 100014 | |
| | | | MATERIAL NUMBER | CUSTOMER | SHEET NUMBER |
| | | | SEE DRAWING | GENERAL MARKET | 5 OF 8 |

molex

ZQSFP+ 1X1 CAGE
ASSY'S (SPRING FINGER) WITH H/S & L/P OPTIONS

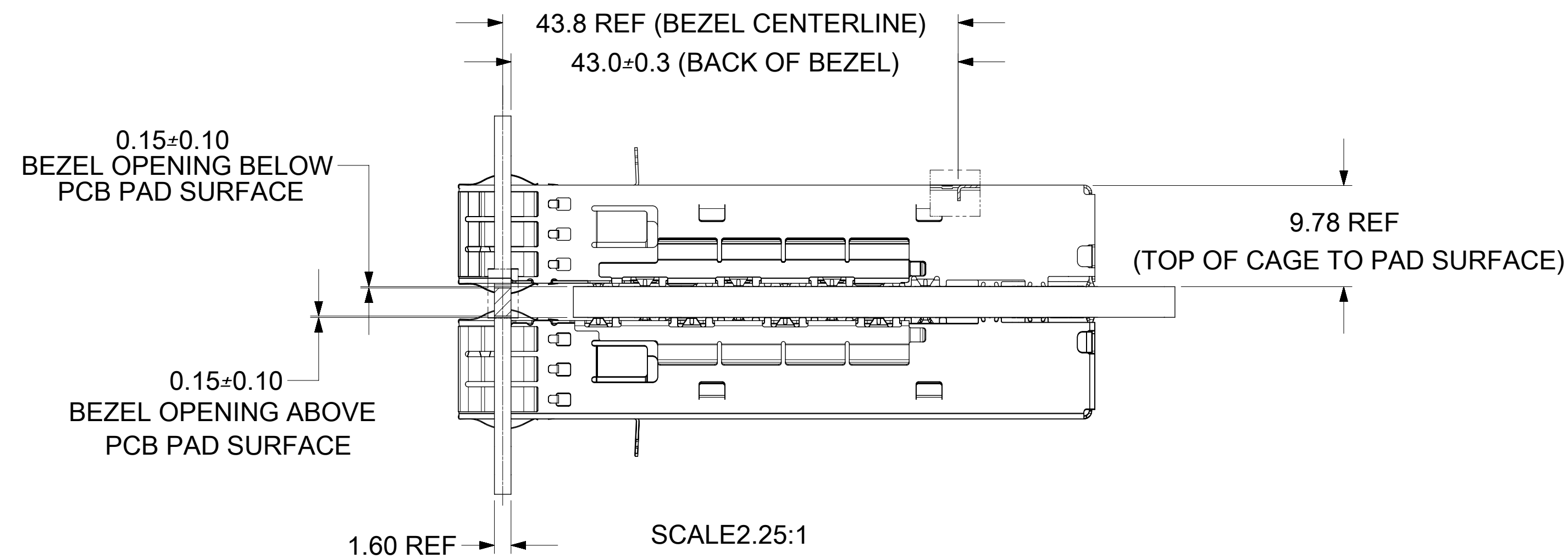
PRODUCT CUSTOMER DRAWING

DOCUMENT NUMBER DOC TYPE DOC PART REVISION

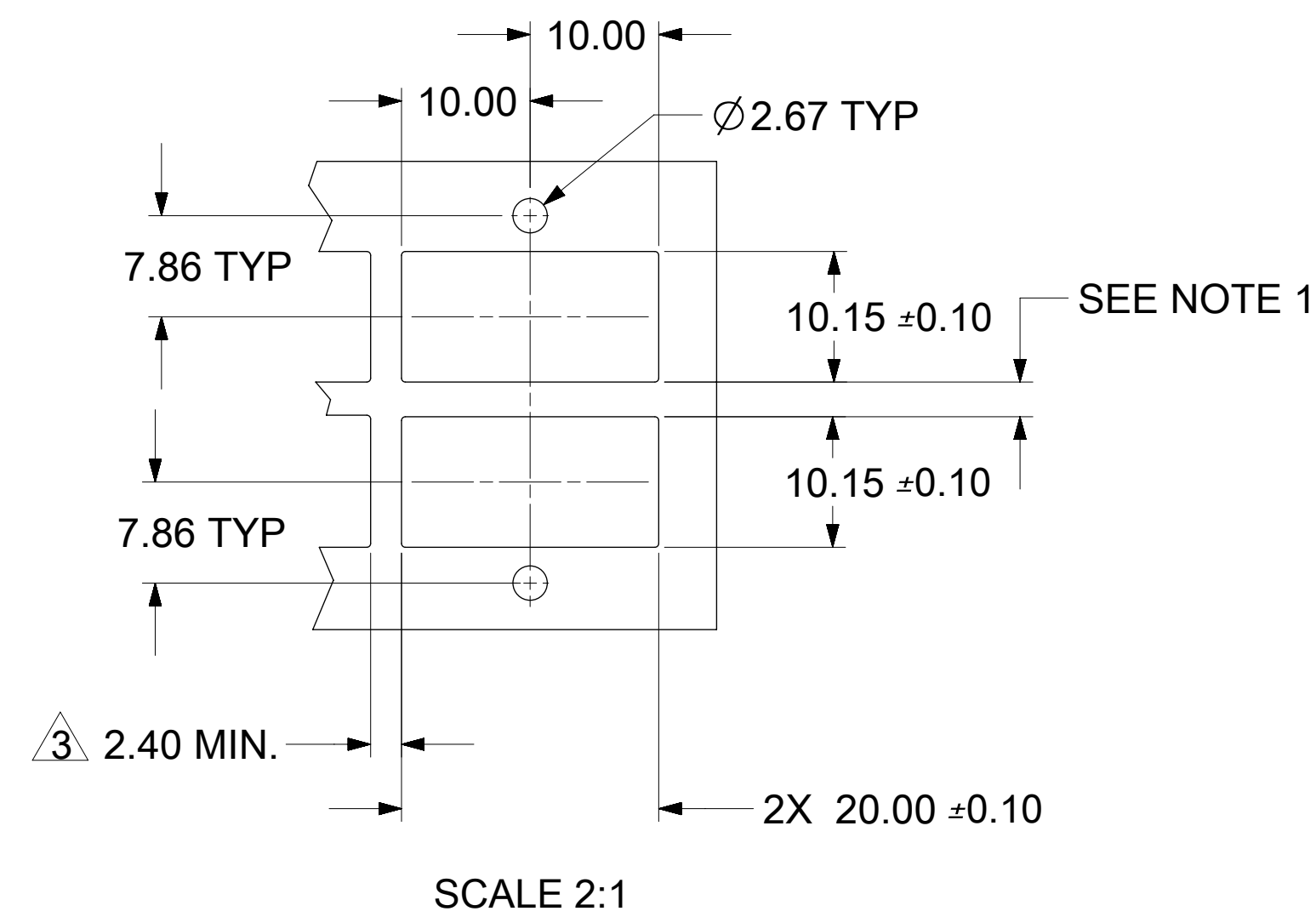
1000141200

PSD ASY L

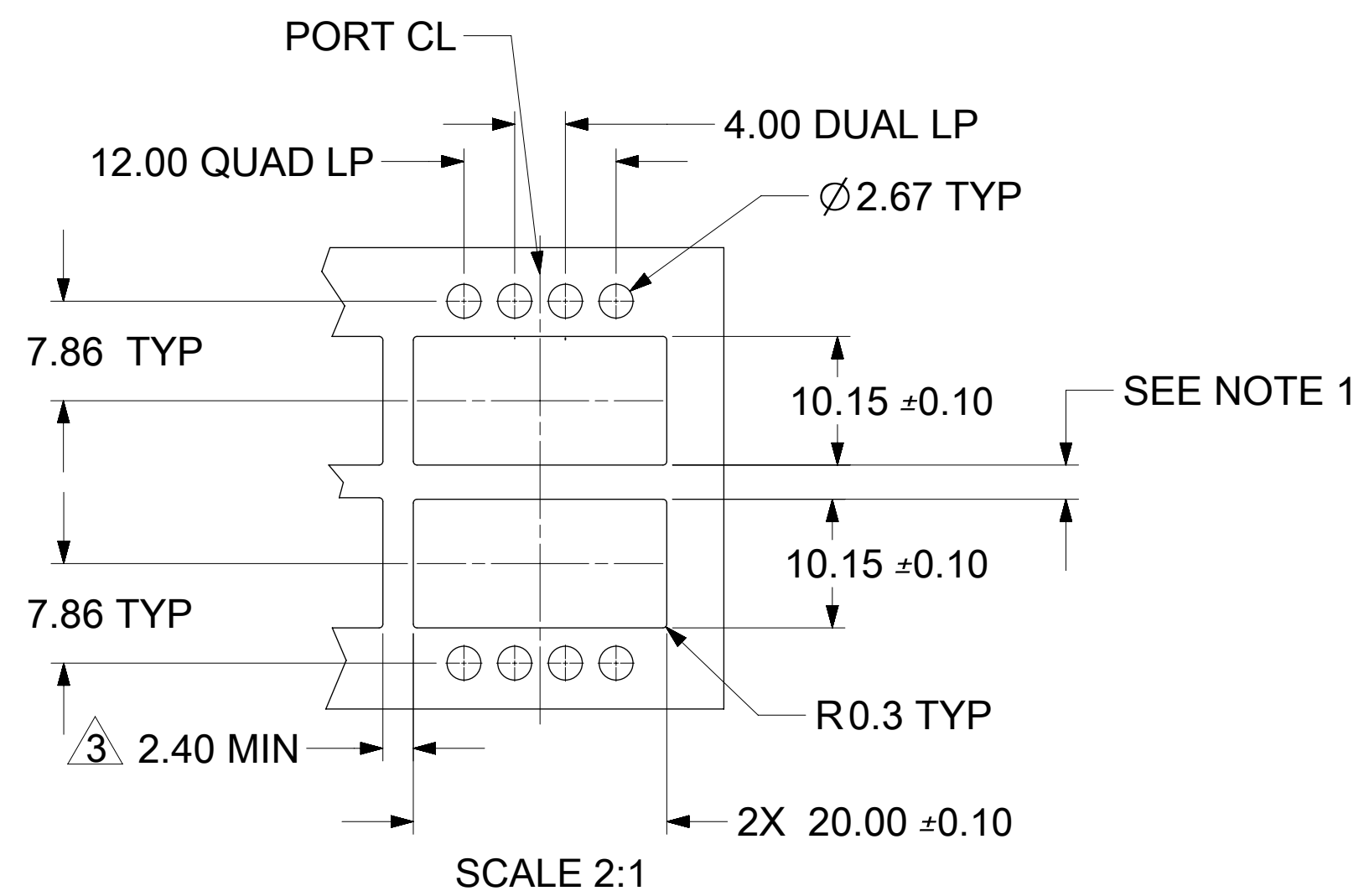
BEZEL AND BOARD POSITION DIMENSIONS FOR BELLY TO BELLY MOUNTING



SINGLE LIGHT PIPE ²

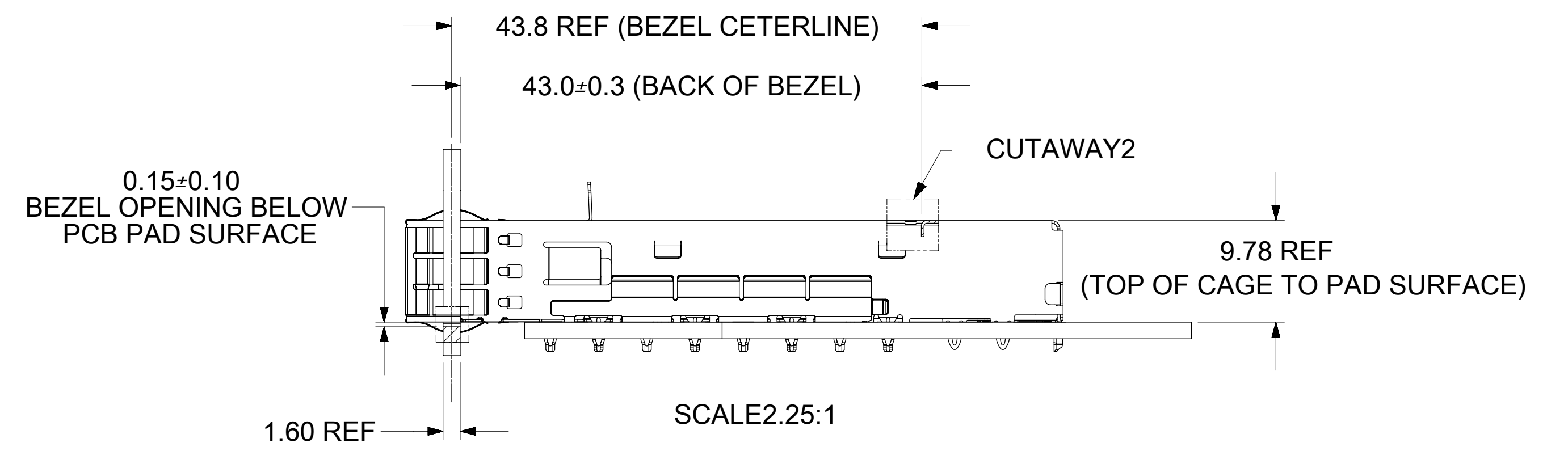


DUAL/QUAD LIGHT PIPE ²

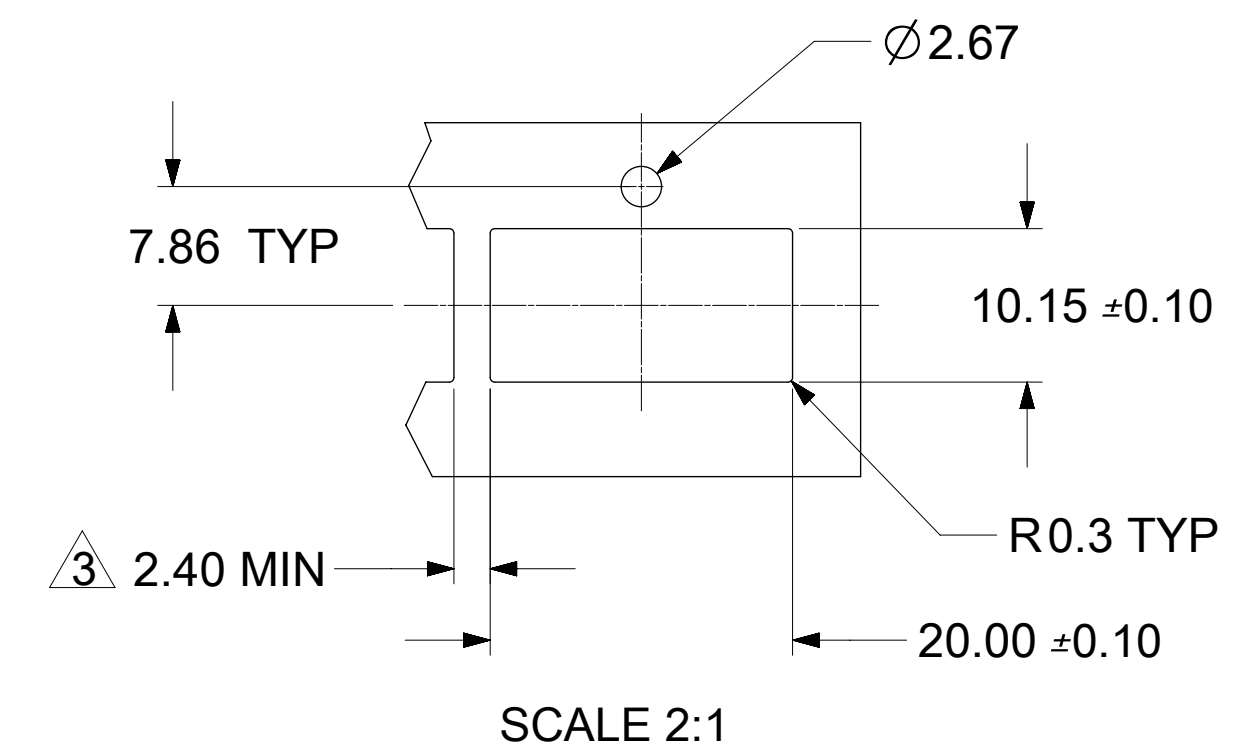


- NOTE:**
1. PCB THICKNESS VARIATION MUST BE CONSIDERED WHEN DETERMINING BEZEL OPENING LOCATION.
 2. NOTED DIMENSIONS ONLY APPLY TO CAGE ASSEMBLIES WITH LIGHT PIPES.
 3. THIS DIMENSION IS FOR REFERENCE ONLY. USER CAN MODIFY UT DEPENDS ON APPLICATION. (THIS DIMENSION VARIES BASED ON DISTANCE OF "HOLE OF ADJACENT CAGE" ON PCB LAYOUT.)

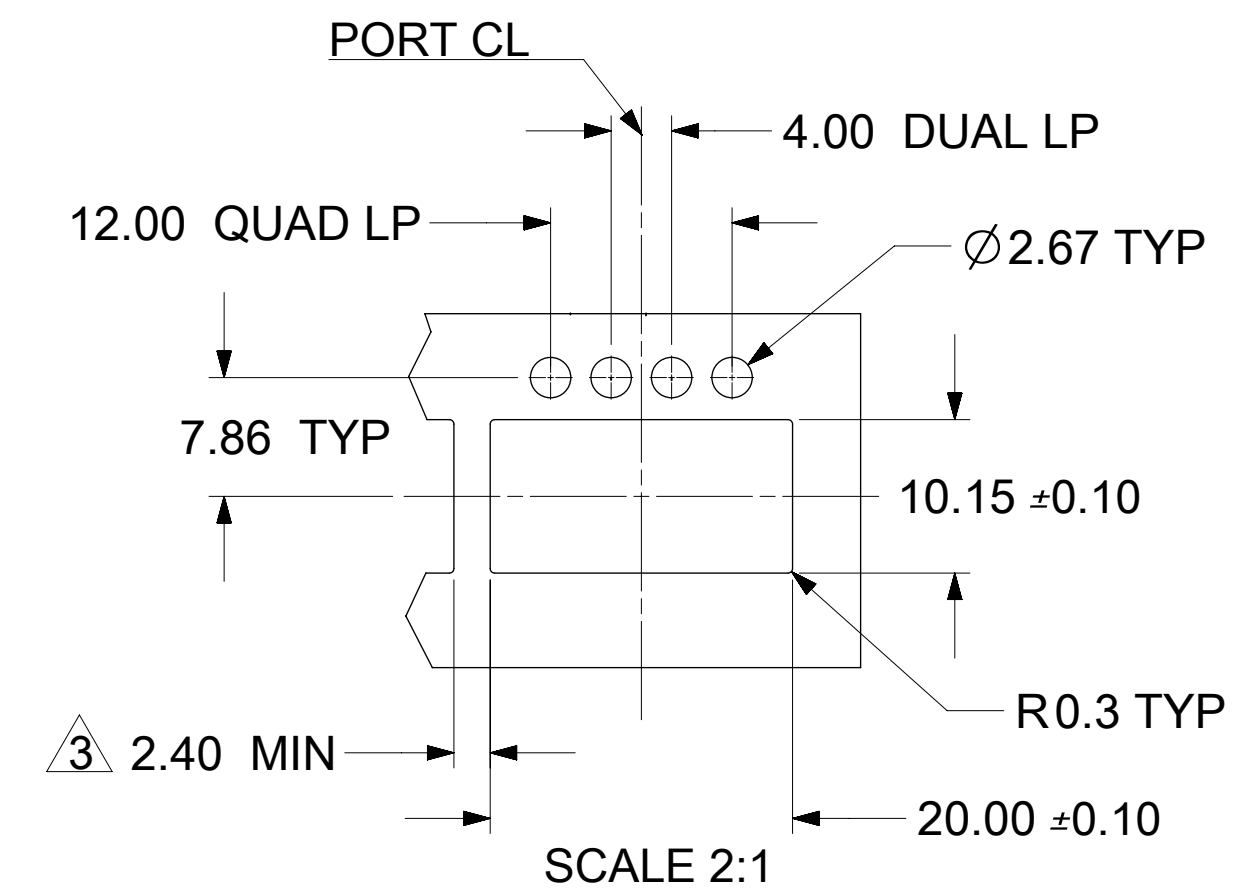
BEZEL AND BOARD POSITION DIMENSIONS FOR SINGLE SIDE MOUNTING



SINGLE LIGHT PIPE ²



DUAL/QUAD LIGHT PIPE ²



| | | | | | | | | | |
|---|--|--|--|------------------------|--|--------------------------------------|--|---|--|
| THIS DRAWING CONTAINS INFORMATION THAT IS PROPRIETARY TO MOLEX ELECTRONIC TECHNOLOGIES, LLC AND SHOULD NOT BE USED WITHOUT WRITTEN PERMISSION | | | | | | | | | |
| SYMBOLS | | DIMENSION UNITS | | SCALE | | CURRENT REV DESC: SEE REVISION TABLE | | | |
| ▽ = 0 | | mm | | 2.5:1 | | | | | |
| ▽ = 0 | | GENERAL TOLERANCES (UNLESS SPECIFIED) | | | | EC NO: 178204 | | | |
| ▽ = 0 | | ANGULAR TOL ± 2.0° | | | | DRWN: MKEMPEGOWDA 2018/05/24 | | | |
| ▽ = 0 | | 4 PLACES ± | | | | CHK'D: TKUMARKC 2018/06/19 | | | |
| ▽ = 0 | | 3 PLACES ± | | | | APPR: RCHEN08 2018/06/22 | | | |
| ▽ = 0 | | 2 PLACES ± 0.13 | | | | INITIAL REVISION: | | | |
| ▽ = 0 | | 1 PLACE ± 0.25 | | | | DRWN: PGSHETTY 2015/10/21 | | | |
| ▽ = 0 | | 0 PLACES ± | | | | APPR: RCHEN08 2015/11/16 | | | |
| ■ = 0 | | DRAFT WHERE APPLICABLE MUST REMAIN WITHIN DIMENSIONS | | THIRD ANGLE PROJECTION | | DRAWING SERIES | | MATERIAL NUMBER CUSTOMER SHEET NUMBER | |
| ▽ = 0 | | | | D-SIZE | | 100014 | | 1000141200 PSD ASY L | |
| | | | | | | | | ZQSFP+ 1X1 CAGE ASSY'S (SPRING FINGER) WITH H/S & L/P OPTIONS | |
| | | | | | | | | PRODUCT CUSTOMER DRAWING | |
| | | | | | | | | DOCUMENT NUMBER DOC TYPE DOC PART REVISION | |
| | | | | | | | | 1000141200 PSD ASY L | |
| | | | | | | | | SEE DRAWING GENERAL MARKET 6 OF 8 | |

molex

ZQSFP+ 1X1 CAGE ASSY'S (SPRING FINGER) WITH H/S & L/P OPTIONS

PRODUCT CUSTOMER DRAWING

DOCUMENT NUMBER DOC TYPE DOC PART REVISION

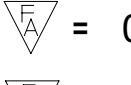
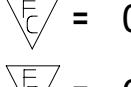
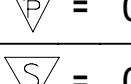

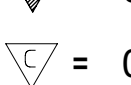
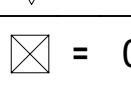

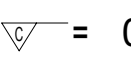
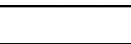
1000141200 PSD ASY L

SEE DRAWING GENERAL MARKET 6 OF 8

| REV | DATE | DESCRIPTION |
|-----|------------|--|
| A | 2013/03/29 | RELEASE |
| B | 2013/06/06 | ADDED DIM 12.77 AT G-11 ON SHEET 4 |
| C | 2013/11/03 | REMOVED GANGED FROM TITLE BLOCK. SHEET 3: ADDED VIEW AND P/N TABLE FOR CLOSED TOP W/LP. SHEET 4/5: EXPANDED ALLOWABLE AREA WHERE SURFACE TRACES ARE PERMITTED. |
| D | 2014/06/26 | SHEET 1: ADDED MATERIAL INFORMATION TO NOTES. CHANGED REAR MOST LEG ON BOTH SIDES OF ALL CAGES FROM 3D PRESSFIT TO EYE-OF-THE-NEEDLE PRESSFIT LEG. |
| E | 2014/09/29 | ADDED TWO REAR LEG OPTION SHEET 2: CHANGED HEATSINK HEIGHT DIMENSIONS TO REF J14: DIM 67.48 CHANGED TO REF SHEET 4: MOVED DATUMS "K" AND "L" TO CONNECTOR HOLES REMOVED BASIC FROM "0.00" POSITIONS SHEET 5: MOVED DATUMS "K" AND "L" TO CONNECTOR HOLES REMOVED BASIC FROM "0.00" POSITIONS H15: MADE HOLE DIAMETER DIMENSION TYP SHEET 6: EDIT NOTE 1, REMOVED "SIZE" REMOVED NOTE 1 FROM ALL "10.15" DIMENSIONS |
| F | 2015/02/05 | SHEET 3: ADDED P/N 1000141744 TO CHART. |
| G | 2015/04/14 | SHEET 2: ADDED DIM "B" AT J-10 SHEET 3: ADDED P/N AT A-19 ADDED DIM "B" W/ 61.07 REF TO CHARTS AT G-14 AND I-15 ADDED 59.47 REF AS DIM "B" TO P/N 1000141744 AT A-14 REMOVED NOTE 1 AT A-19 SHEET 4: ADDED DIM 12.79 @G13 REVISED DIM "WAS" 12.77 "NOW" 12.79 @E2 AND @H2 REMOVED SEE NOTE 4 AND ADDED DIMS @K17 REMOVED NOTE 4 AND REVISED NOTE 5 TO NOTE 4 REVISED FRAMED TEXT NUMBER 4 TRIANGLES TO FRAMED TEXT NUMBER 5 @D9, @E8, @E10,@F8, @F10, @G11,AND @H11 SHEET 5: REMOVED NOTE 4 @A20 REMOVED SEE NOTE 4 AND ADDED DIMS @K15 REVISED DIM "WAS" 12.77 "NOW" 12.79 @E2, @I2, AND @F12 SHEET 6: REVISED PORT CL "WAS" (4) "NOW" PORT CL |
| H | 2015/11/02 | 1. REMASTERED FROM SD-100014-1200_REV 'G' 2. SHEET 3 : G5 : ADDED P/N 1000141903 |
| H1 | 2016/01/06 | CHANGED THE DOCUMENT TYPE FROM RSD TO SD. SHEET1: B19: CHANGED NOTE 4 AND NOTE 5 FROM "DURING INCOMING INSPECTION" TO "DURING FINAL INSPECTION." SHEET6: A19: ADDED NOTE3: THIS DIMENSION IS FOR REFERENCE ONLY. USER CAN MODIFY IT DEPENDS ON APPLICATION. (THIS DIMENSION VARIES BASED ON DISTANCE OF "HOLE OF ADJACENT CAGE" ON PCB LAYOUT.) F16: ADDED 2.40 MIN. B16, F7, C7: CHANGED 2.75 MIN. TO 2.40 MIN. |
| J | 2016/08/16 | SHEET 1: D11: ADDED DIM 13.4 REF. SHEET 4: G14: REMOVED DIM 6.60 SHEET 6: J18: ADDED DIM 0.15±0.10 (BEZEL OPENING ABOVE PCB PAD SURFACE) |

| | | | | | | | | | | | | | | | | | | |
|--|---|--|--------------------|----------|---|-------------|--|----------------|--|--------|-----------------|----------|-----------------|----------|------------|-----|--------------|---|
| SYMBOLS | THIS DRAWING CONTAINS INFORMATION THAT IS PROPRIETARY TO MOLEX ELECTRONIC TECHNOLOGIES, LLC AND SHOULD NOT BE USED WITHOUT WRITTEN PERMISSION | | | | | | | | | | | | | | | | | |
| | DIMENSION UNITS | | SCALE | | CURRENT REV DESC: SEE REVISION TABLE | | | | | | | | | | | | | |
| | mm | | 1:1 | | <p style="text-align: center;">molex</p> <p style="text-align: center;">ZQSFP+ 1X1 CAGE ASSY'S (SPRING FINGER) WITH H/S & L/P OPTIONS</p> <p style="text-align: center;">PRODUCT CUSTOMER DRAWING</p> <table border="1" style="width: 100%;"> <tr> <td>DOCUMENT NUMBER</td> <td>DOC TYPE</td> <td>DOC PART</td> <td>REVISION</td> </tr> <tr> <td style="text-align: center;">1000141200</td> <td>PSD</td> <td>ASY</td> <td>L</td> </tr> </table> | | | | | | DOCUMENT NUMBER | DOC TYPE | DOC PART | REVISION | 1000141200 | PSD | ASY | L |
| | DOCUMENT NUMBER | DOC TYPE | DOC PART | REVISION | | | | | | | | | | | | | | |
| | 1000141200 | PSD | ASY | L | | | | | | | | | | | | | | |
| | GENERAL TOLERANCES (UNLESS SPECIFIED) | | ANGULAR TOL ± 2.0° | | | | | | | | | | | | | | | |
| | 4 PLACES ± | | 3 PLACES ± | | | | | | | | | | | | | | | |
| | 3 PLACES ± | | 2 PLACES ± 0.13 | | | | | | | | | | | | | | | |
| | 2 PLACES ± | | 1 PLACE ± 0.25 | | | | | | | | | | | | | | | |
| | 1 PLACE ± | | 0 PLACES ± | | | | | | | | | | | | | | | |
| 0 PLACES ± | | DRAFT WHERE APPLICABLE MUST REMAIN WITHIN DIMENSIONS | | | | | | | | | | | | | | | | |
| DRAFT WHERE APPLICABLE MUST REMAIN WITHIN DIMENSIONS | | THIRD ANGLE PROJECTION | | DRAWING | | | | | | | SERIES | | MATERIAL NUMBER | | CUSTOMER | | SHEET NUMBER | |
| | | D-SIZE | | 100014 | | SEE DRAWING | | GENERAL MARKET | | 7 OF 8 | | | | | | | | |

| REV | DATE | DESCRIPTION |
|-----|------------|---|
| K | 2017/09/26 | SHEET 3: H6: ADDED LP TAB FEATURE OPTION ON P/N TABLE H9: ADDED NEW P/N 1000141256 IN THE P/N TABLE J9: INDICATED THE LP TAB FEATURE LOCATION |
| K1 | 2018/01/30 | SHEET 6: J15: CORRECTED PRODUCT VIEW ERROR (COMPONENT APPEARANCE MISSED) J05: CORRECTED PRODUCT VIEW ERROR (COMPONENT APPEARANCE MISSED) |
| L | 2018/05/24 | SHEET 4: ADDED PAD TO HOLES & UPDATED VIEWS TO AVOID CONFUSION SHEET 5: ADDED PAD TO HOLES & UPDATED VIEWS TO AVOID CONFUSION |
| | | |
| | | |
| | | |
| | | |
| | | |
| | | |
| | | |

| | | | | | | | | | | | | | | | | | | |
|---|---|---------------------------------------|--------|---|--|--|--|--|--|--------|--|--|--|--|--|--|--|--------------------------|
| SYMBOLS | THIS DRAWING CONTAINS INFORMATION THAT IS PROPRIETARY TO MOLEX ELECTRONIC TECHNOLOGIES, LLC AND SHOULD NOT BE USED WITHOUT WRITTEN PERMISSION | | | | | | | | | | | | | | | | | |
| |  = 0 | DIMENSION UNITS | SCALE | CURRENT REV DESC: SEE REVISION TABLE | | | | | | | molex | | | | | | | |
| |  = 0 | mm | 1:1 | EC NO: 178204 DRWN: MKEMPEGOWDA 2018/05/24 CHK'D: TKUMARKC 2018/06/19 APPR: RCHEN08 2018/06/22 | | | | | | | | | ZQSFP+ 1X1 CAGE ASSY'S (SPRING FINGER) WITH H/S & L/P OPTIONS | | | | | |
| |  = 0 | GENERAL TOLERANCES (UNLESS SPECIFIED) | | | | | | | | | INITIAL REVISION: DRWN: PGSHETTY 2015/10/21 APPR: RCHEN08 2015/11/16 | | | | | | | PRODUCT CUSTOMER DRAWING |
| |  = 0 | ANGULAR TOL ± 2.0° | | DOCUMENT NUMBER | | | | | | | | | | | | | | |
| |  = 0 | 4 PLACES ± | | | | | | | | | 1000141200 | | | | | | | PSD |
| |  = 0 | 3 PLACES ± | | SEE DRAWING | | | | | | | | | | | | | | |
| |  = 0 | 2 PLACES ± 0.13 | | | | | | | | | DRAFT WHERE APPLICABLE MUST REMAIN WITHIN DIMENSIONS | | | | | | | THIRD ANGLE PROJECTION |
| |  = 0 | 1 PLACE ± 0.25 | | D-SIZE | | | | | | | | | | | | | | |
| |  = 0 | 0 PLACES ± | | | | | | | | | D-SIZE | | | | | | | 100014 |
| = 0 | DRAFT WHERE APPLICABLE MUST REMAIN WITHIN DIMENSIONS | | D-SIZE | | | | | | | 100014 | | | | | | | | |