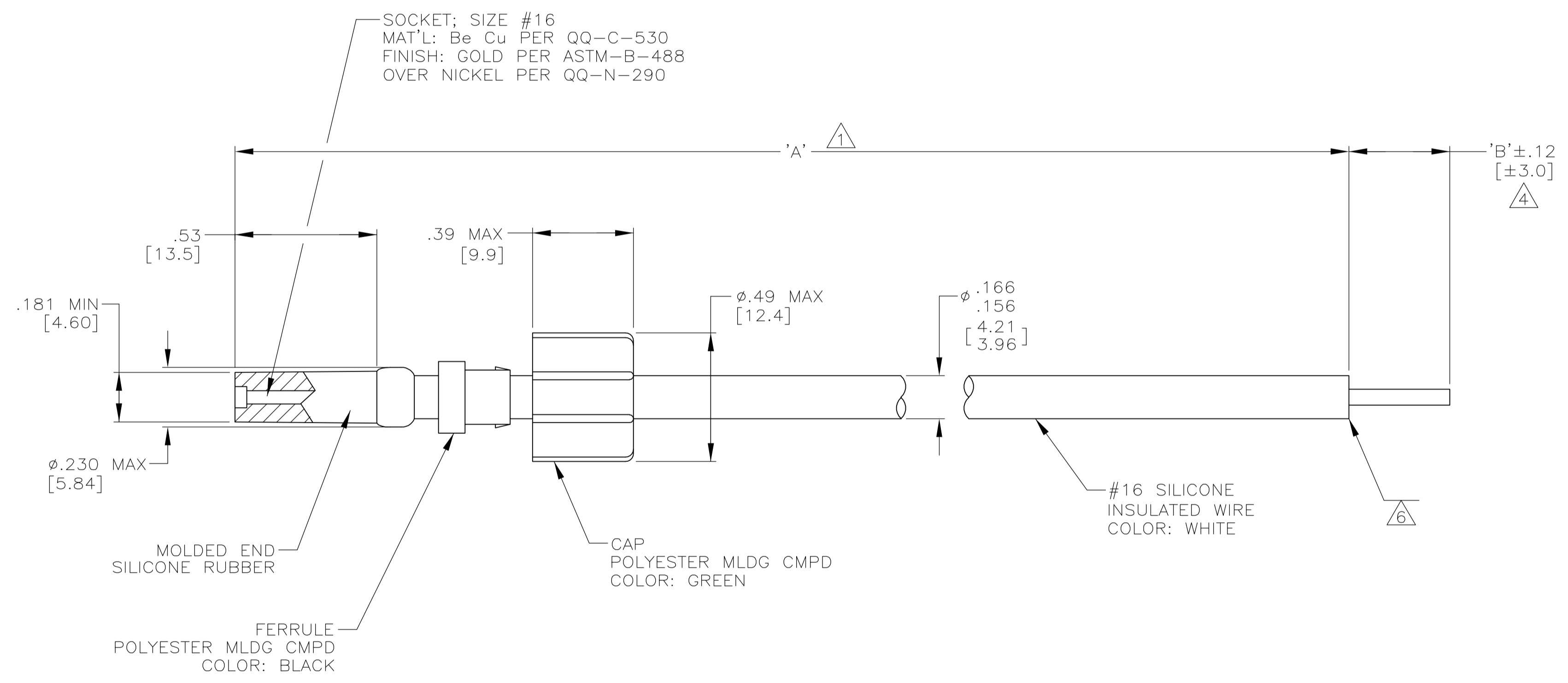


| PART NO. | 'A' | 'B' | REMARKS |
|------------|------------------|------------|-------------|
| 862545-1 | 6.00 [152.4] | .38 [9.7] | △4 |
| 862545-2 | 8.00 [203.2] | .38 [9.7] | △4 |
| 862545-3 | 10.00 [254.0] | .38 [9.7] | △4 |
| 862545-4 | 12.00 [304.8] | .38 [9.7] | △4 |
| 862545-5 | 15.00 [381.0] | .38 [9.7] | △4 |
| 862545-6 | 18.00 [457.2] | .38 [9.7] | △4 |
| 862545-7 | 21.00 [533.4] | .38 [9.7] | △4 |
| 862545-8 | 24.00 [609.6] | .38 [9.7] | △4 |
| 862545-9 | 4.50 [114.3] | .50 [12.7] | △4 OBSOLETE |
| 1-862545-0 | 11.00 [279.4] | .25 [6.3] | △4 |
| 1-862545-1 | 48.00 [1219.2] | .38 [9.7] | △4 |
| 1-862545-2 | 20.00 [508.0] | .38 [9.7] | △4 OBSOLETE |
| 1-862545-3 | 13.00 [330.2] | .38 [9.7] | △4 |
| 1-862545-4 | 14.00 [355.6] | .38 [9.7] | △4 |
| 1-862545-5 | 600.00 [15240.0] | .38 [9.7] | △4 OBSOLETE |
| 1-862545-6 | 16.00 [406.4] | .38 [9.7] | △4 |
| 1-862545-7 | 5.00 [127.0] | .38 [9.7] | △4 |
| 1-862545-8 | 36.00 [914.4] | .38 [9.7] | △4 |
| 1-862545-9 | 60.00 [1524.0] | .38 [9.7] | △4 |
| 2-862545-0 | 84.00 [2133.6] | .38 [9.7] | △4 OBSOLETE |
| 2-862545-1 | 7.50 [190.5] | .38 [9.7] | △4 |
| 2-862545-2 | 30.00 [762.0] | .38 [9.7] | △4 |
| 2-862545-3 | 9.00 [228.6] | .38 [9.7] | △4 |
| 2-862545-4 | 14.50 [368.3] | .38 [9.7] | △4 |
| 2-862545-5 | 22.00 [558.8] | .38 [9.7] | △4 |
| 2-862545-6 | 17.63 [447.8] | .38 [9.7] | △4 |
| 2-862545-7 | 11.63 [295.4] | .38 [9.7] | △4 OBSOLETE |
| 2-862545-8 | 72.00 [1828.8] | .38 [9.7] | △4 |
| 2-862545-9 | 33.00 [838.2] | .38 [9.7] | △4 |
| 3-862545-0 | 19.00 [482.6] | .38 [9.7] | △4 OBSOLETE |
| 3-862545-1 | 37.00 [939.8] | .38 [9.7] | △4 OBSOLETE |
| 3-862545-2 | 9.50 [241.3] | .38 [9.7] | △4 OBSOLETE |
| 3-862545-3 | 6.13 [155.7] | .38 [9.7] | △4 OBSOLETE |
| 3-862545-4 | 4.00 [101.6] | .38 [9.7] | △4 |
| 3-862545-5 | 40.00 [1016.0] | .38 [9.7] | △4 OBSOLETE |
| 3-862545-6 | 7.00 [177.8] | .38 [9.7] | △4 OBSOLETE |
| 3-862545-7 | 28.00 [711.2] | .38 [9.7] | △4 OBSOLETE |
| 3-862545-8 | 31.00 [787.4] | .38 [9.7] | △4 OBSOLETE |
| 3-862545-9 | 240.00 [6096.0] | .38 [9.7] | △4 |
| 4-862545-0 | 16.63 [422.4] | .38 [9.7] | △4 OBSOLETE |
| 4-862545-1 | 108.00 [2743.2] | .38 [9.7] | △4 |
| 4-862545-2 | 17.00 [431.8] | .38 [9.7] | △4 OBSOLETE |
| 4-862545-3 | 360.00 [9144.0] | .38 [9.7] | △4 OBSOLETE |
| 4-862545-4 | 79.00 [2006.6] | .38 [9.7] | △4 OBSOLETE |
| 4-862545-5 | 6.50 [165.1] | .38 [9.7] | △4 |
| 4-862545-6 | 96.00 [2438.4] | .38 [9.7] | △4 |
| 4-862545-7 | 144.00 [3657.6] | .38 [9.7] | △4 |
| 5-862545-1 | 6.00 [152.4] | .38 [9.7] | △6 |
| 5-862545-2 | 8.00 [203.2] | .38 [9.7] | △6 |
| 5-862545-4 | 12.00 [304.8] | .38 [9.7] | △6 |
| 5-862545-6 | 18.00 [457.2] | .38 [9.7] | △6 |
| 5-862545-8 | 24.00 [609.6] | .38 [9.7] | △6 |
| 6-862545-0 | 11.00 [279.4] | .25 [6.3] | △6 |
| 6-862545-4 | 14.00 [355.6] | .38 [9.7] | △6 |
| 6-862545-7 | 5.00 [127.0] | .38 [9.7] | △6 |
| 6-862545-8 | 36.00 [914.4] | .38 [9.7] | △6 |
| 7-862545-1 | 7.50 [190.5] | .38 [9.7] | △6 |
| 7-862545-4 | 14.50 [368.3] | .38 [9.7] | △6 |

| LOC | DIST | REV | DESCRIPTION | DATE | BY | APP'D |
|-----|------|-----|-----------------------|-------|----|-------|
| DF | SO | AD | REV PER ECO-05-002582 | 06-05 | AA | DE |

- △1 TOLERANCE OF LEAD LENGTH:
UP TO 24 INCHES [609.6] = ±.12 [±3.0]
24 INCHES [609.6] & UP = ±1%
- 2. MARKED PER MIL-STD-130.
- 3. TO MATE WITH AMP LGH-1/2 RECEPTACLE WITH .53 BARREL DEPTH.
- △4 WHERE APPLICABLE PIGTAIL IS SOLDER DIPPED.
- 5. OPERATING VOLTAGE: 10 KVDC AT 0 TO 70,000 FEET, -55°C TO 125°C.
- △6 INSULATION CUT TO LENGTH, BUT NOT REMOVED.



| | | | | |
|--|--|--------------------------------|------------------|---|
| THIS DRAWING IS A CONTROLLED DOCUMENT. | | DWG C.C.THOMAS 16-NOV-89 | | Tyco Electronics Corporation Harrisburg, Pa 17105-3608 |
| DIMENSIONS: INCHES | | CHK D. FARY 01-DEC-89 | | NAME D. FARY 01-DEC-89 |
| TOLERANCES UNLESS OTHERWISE SPECIFIED: | | 0 PLC ± - | PRODUCT SPEC | SIZE A1 |
| | | 1 PLC ± - | APPLICATION SPEC | CAGE CODE 00779 |
| | | 2 PLC ± .02 [0.5] | RESTRICTED TO | DRAWING NO 862545 |
| | | 3 PLC ± - | WEIGHT | SCALE 3:1 |
| | | 4 PLC ± - | CUSTOMER DRAWING | SHEET 1 OF 1 |
| | | ANGLES ± - | | REV AD |