

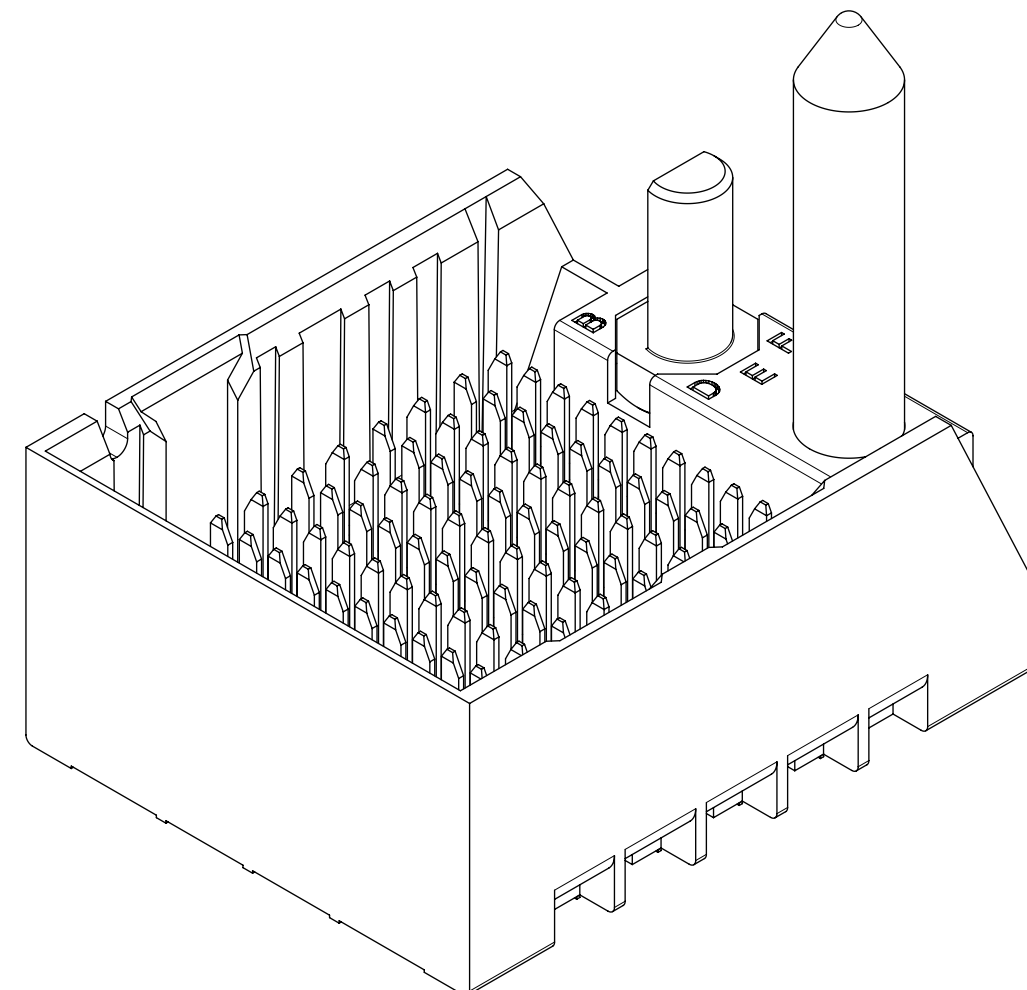
- NOTES:
1. MATERIALS: HOUSING - LIQUID CRYSTAL POLYMER (LCP) GLASS-FILLED, UL94V-0  
TERMINALS - HIGH PERFORMANCE COPPER ALLOY
  2. FINISH: 30µ INCH MIN GOLD IN CONTACT AREA.  
SELECTIVE MATTE TIN ON PCB TAILS, NICKEL OVERALL.
  3. REFER TO MOLEX PRODUCT SPECIFICATION PS-170540-999 FOR PERFORMANCE SPECIFICATIONS AND ADDITIONAL PCB INFORMATION.
  4. REFER TO MOLEX PCB ROUTING GUIDE AS-76060-990 FOR ANTIPAD AND ROUTING RECOMMENDATIONS.
  5. CONNECTORS SUPPLIED WITH A 2-56 UNC-2A SCREW.
  6. "THESE DIMENSIONS REPRESENT THE AREA NEEDED TO ACCOMMODATE CONNECTOR INSERTION AND REPAIR ON THE PC BOARD. THIS IS REFERRED TO AS THE "CONNECTOR KEEP OUT ZONE" AND DOES NOT REPRESENT THE ACTUAL PERIMETER OF THE CONNECTOR. WHEN LAYING OUT THE PC BOARD FOR CONNECTORS STACKED TOGETHER, USE A 1.9mm PROGRESSION."
  7. THIS PART CONFORMS TO MOLEX COSMETIC SPEC PS-45499-002 CLASS B.
  8. PARTS PACKAGED PER PK-70873-757.
  9. SEE SHEETS 2 & 3 FOR PART NUMBERS AND BOARD RELATIONSHIPS.
  10. FOR GROUNDED GUIDE PINS USE Ø 3.56 +/-0.08 (PTH), Ø 3.66 (DRILL) & Ø 6.5 (PAD).
  11. KEEP OUT ZONE FOR BP HOUSING LENGTH INCLUDES AN ADDITIONAL 1.0MM TO ACCOMMODATE FOR SPACE REQUIRED BY DC FRONT HOUSING.
  12. MINIMUM CIRCUIT BOARD THICKNESS: 1.0mm

SYMBOLS		THIS DRAWING CONTAINS INFORMATION THAT IS PROPRIETARY TO MOLEX ELECTRONIC TECHNOLOGIES, LLC AND SHOULD NOT BE USED WITHOUT WRITTEN PERMISSION	
▽ = 0	mm	SCALE	4:1
▽ = 0	GENERAL TOLERANCES (UNLESS SPECIFIED)		
▽ = 0	ANGULAR TOL	±	0.5°
▽ = 0	4 PLACES	±	
▽ = 0	3 PLACES	±	
▽ = 0	2 PLACES	±	0.13
▽ = 0	1 PLACE	±	0.25
▽ = 0	0 PLACES	±	
▽ = 0	DRAFT WHERE APPLICABLE MUST REMAIN WITHIN DIMENSIONS		
CURRENT REV		DESC: MIGRATED TO NX	
EC NO: 172491		2018/02/19	
DRWN: VK10		2018/02/20	
CHK'D: DVARVARA		2018/02/22	
APPR: TELO			
INITIAL REVISION:			
DRWN: JBINGHAM		2012/11/13	
APPR: JLAURX		2012/11/16	
THIRD ANGLE PROJECTION		DRAWING	SERIES
C-SIZE		170335	
DOCUMENT NUMBER		DOC TYPE	DOC PART
SD-170335-0003		PSD	001
MATERIAL NUMBER		CUSTOMER	SHEET NUMBER
SEE CHART		GENERAL MARKET	1 OF 3

DOCUMENT STATUS	P1	RELEASE DATE	2018/02/22	16:21:50
-----------------	----	--------------	------------	----------

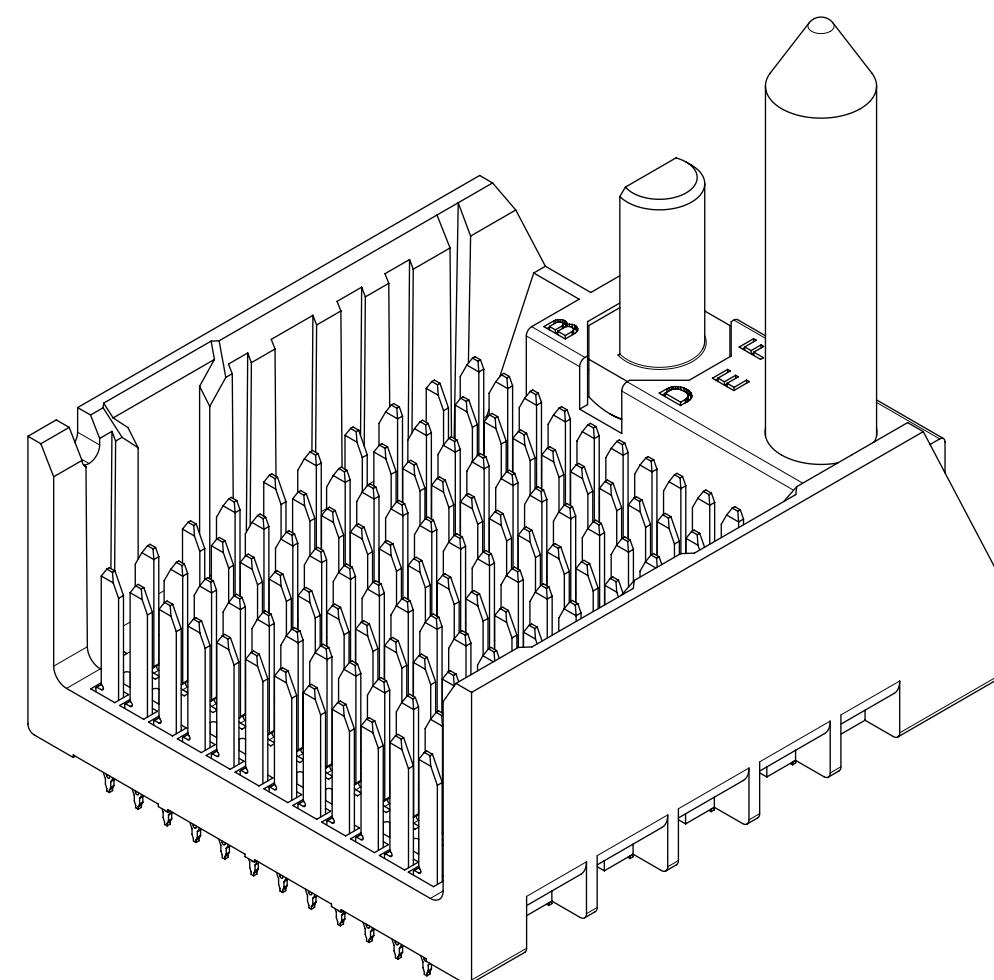
# PART NUMBER CHART

MATERIAL NUMBER	# OF COLUMNS	# OF DIFF PAIR	DIM "A"	DIM "B"	GUIDE RIGHT END WALL OPTION
170335-93**	6	24	19.3	9.50	
170335-98**	8	32	23.1	13.30	
170335-91**	10	40	26.9	17.10	
170335-92**	12	48	30.7	20.90	
170335-94**	14	56	34.5	24.70	
170335-96**	16	64	38.3	28.50	



GUIDE RIGHT  
END WALL  
OPTION

MATERIAL NUMBER	# OF COLUMNS	# OF DIFF PAIR	DIM "A"	DIM "B"	GUIDE RIGHT OPEN WALL OPTION
170335-53**	6	24	17.9	9.50	
170335-58**	8	32	21.7	13.30	
170335-51**	10	40	25.5	17.10	
170335-52**	12	48	29.3	20.90	
170335-54**	14	56	33.1	24.70	
170335-56**	16	64	36.9	28.50	



GUIDE RIGHT  
OPEN WALL  
OPTION

## PART NUMBER LOGIC 170335-\*\*\*\*

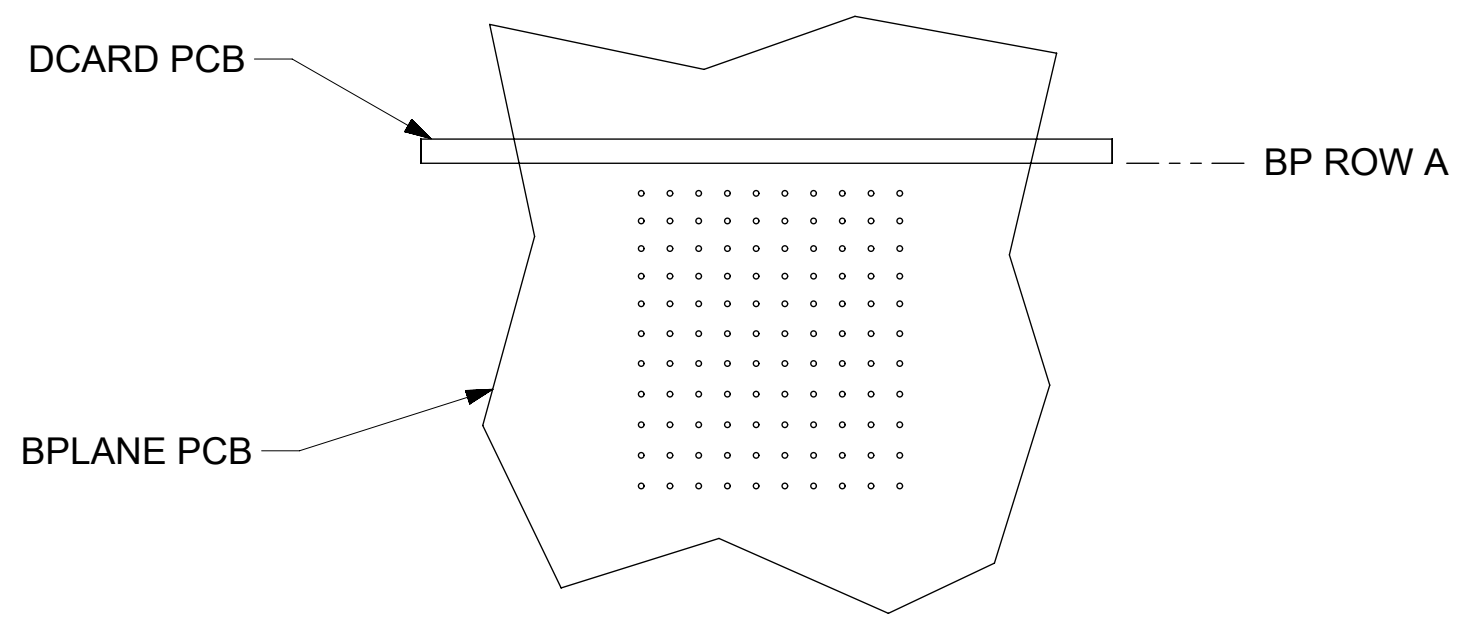
MODULE TYPE  
5 = GUIDE RIGHT, MATTE TIN  
9 = GUIDE RIGHT END WALL, METTA TIN

# OF COLUMNS  
1 = 10 COL  
2 = 12 COL  
3 = 6 COL  
4 = 14 COL  
6 = 16 COL  
8 = 8 COL

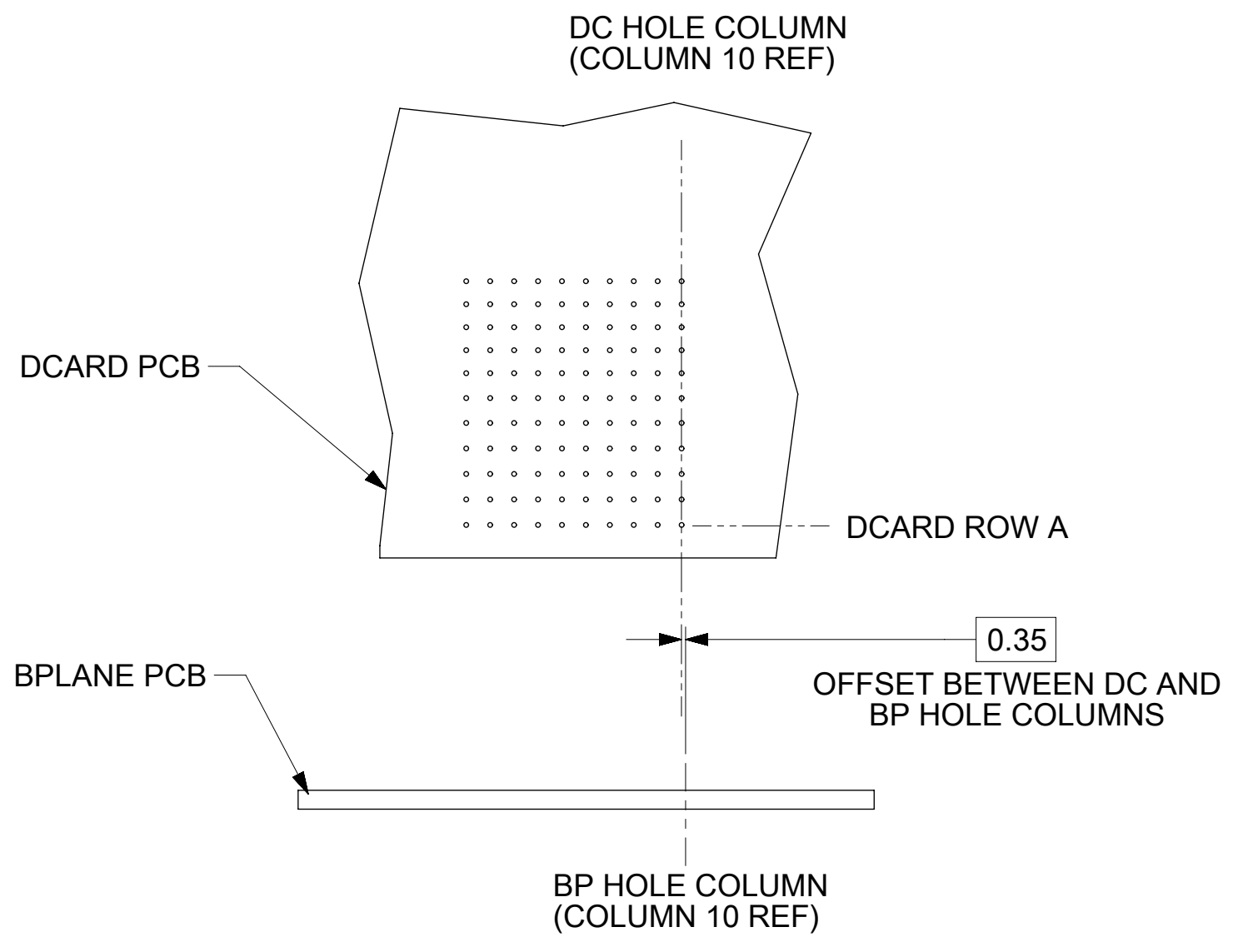
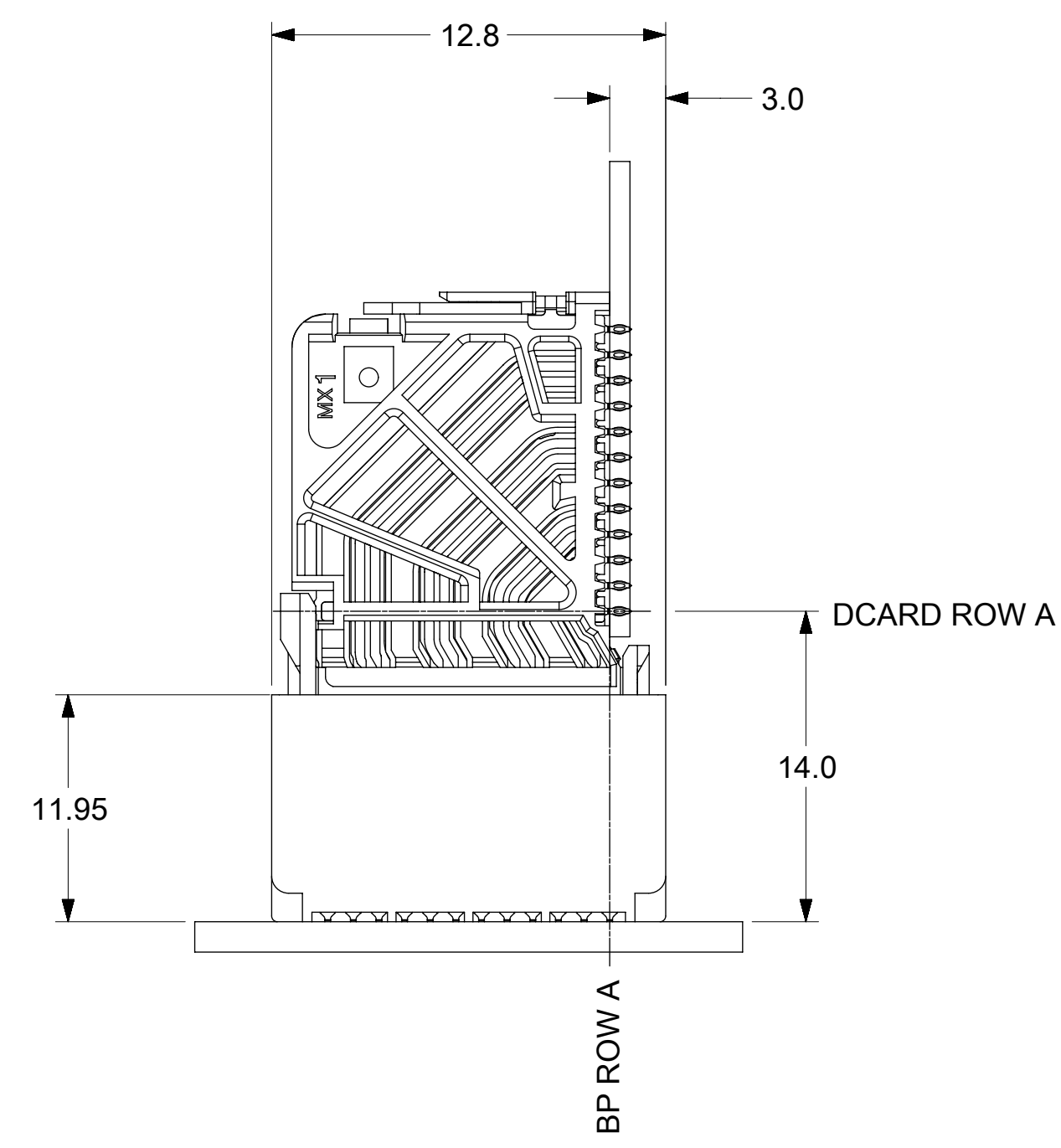
PIN LENGTH (P)  
3 = 4.50 (SHORT COMPLIANT, 0.46±0.05 PTH)  
4 = 4.90 (SHORT COMPLIANT, 0.46±0.05 PTH)  
5 = 5.50 (SHORT COMPLIANT, 0.46±0.05 PTH)  
6 = 4.50 (MICRO COMPLIANT, 0.39±0.05 PTH)  
7 = 4.90 (MICRO COMPLIANT, 0.39±0.05 PTH)  
8 = 5.50 (MICRO COMPLIANT, 0.39±0.05 PTH)

KEY ORIENTATION  
0 = NO KEY  
1 = A  
2 = B  
3 = C  
4 = D  
5 = E  
6 = F  
7 = G  
8 = H

THIS DRAWING CONTAINS INFORMATION THAT IS PROPRIETARY TO MOLEX ELECTRONIC TECHNOLOGIES, LLC AND SHOULD NOT BE USED WITHOUT WRITTEN PERMISSION									
SYMBOLS		DIMENSION UNITS		SCALE		CURRENT REV DESC: MIGRATED TO NX			
▽ = 0		mm		4:1		molex			
▽ = 0		GENERAL TOLERANCES (UNLESS SPECIFIED)				IMPACT 4-PAIR 85-OHM RIGHT GUIDED BACKPLANE SALES ASSEMBLY DRAWING			
▽ = 0		ANGULAR TOL ± 0.5°				PRODUCT CUSTOMER DRAWING			
▽ = 0		4 PLACES ±		EC NO: 172491		DOCUMENT NUMBER			
▽ = 0		3 PLACES ±		DRWN: VK10 2018/02/19		DOC TYPE		DOC PART	
▽ = 0		2 PLACES ± 0.13		CHK'D: DVARVARA 2018/02/20		PSD		001	
▽ = 0		1 PLACE ± 0.25		APPR: TELO 2018/02/22		E1		REVISION	
☒ = 0		0 PLACES ±		INITIAL REVISION:		SD-170335-0003			
■ = 0		DRAFT WHERE APPLICABLE MUST REMAIN WITHIN DIMENSIONS		THIRD ANGLE PROJECTION		SERIES		SHEET NUMBER	
▽ = 0		DRAWING		C-SIZE		170335		2 OF 3	
MATERIAL NUMBER		CUSTOMER		SEE CHART		GENERAL MARKET			



**IMPACT 4 PAIR BOARD RELATIONSHIPS**



THIS DRAWING CONTAINS INFORMATION THAT IS PROPRIETARY TO MOLEX ELECTRONIC TECHNOLOGIES, LLC AND SHOULD NOT BE USED WITHOUT WRITTEN PERMISSION										
SYMBOLS		DIMENSION UNITS		SCALE		CURRENT REV DESC: MIGRATED TO NX				
▽ = 0	mm	2:1		EC NO: 172491 DRWN: VK10 2018/02/19 CHK'D: DVARVARA 2018/02/20 APPR: TELO 2018/02/22 INITIAL REVISION: DRWN: JBINGHAM 2012/11/13 APPR: JLAURX 2012/11/16						
▽ = 0	GENERAL TOLERANCES (UNLESS SPECIFIED)									
▽ = 0	ANGULAR TOL ± 0.5°									
▽ = 0	4 PLACES ±									
▽ = 0	3 PLACES ±									
▽ = 0	2 PLACES ± 0.13			PRODUCT CUSTOMER DRAWING						
▽ = 0	1 PLACE ± 0.25			DOCUMENT NUMBER		DOC TYPE		DOC PART		REVISION
▽ = 0	0 PLACES ±			SD-170335-0003		PSD		001	E1	
▽ = 0	DRAFT WHERE APPLICABLE MUST REMAIN WITHIN DIMENSIONS			THIRD ANGLE PROJECTION		DRAWING		SERIES		SHEET NUMBER
▽ = 0				C-SIZE		170335		MATERIAL NUMBER		SEE CHART
				CUSTOMER		GENERAL MARKET		3 OF 3		