

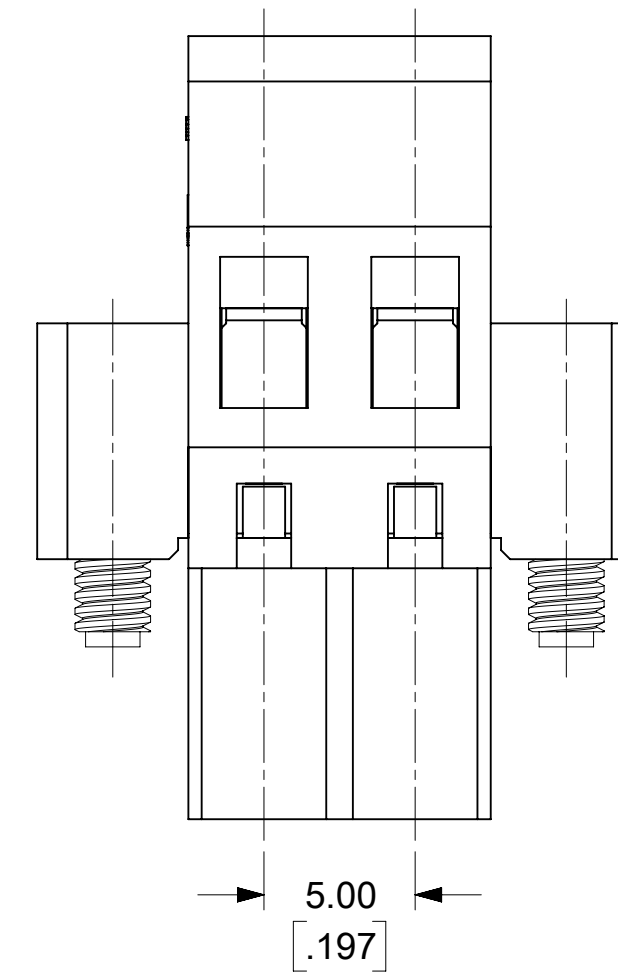
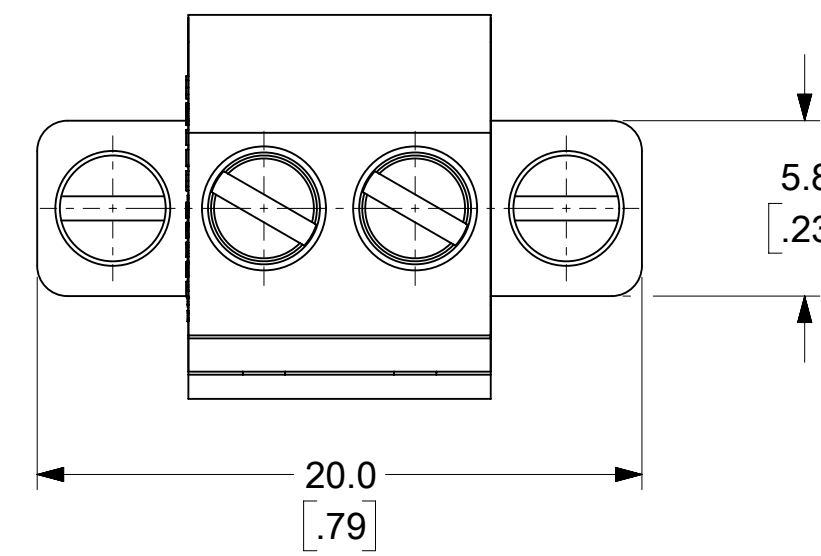
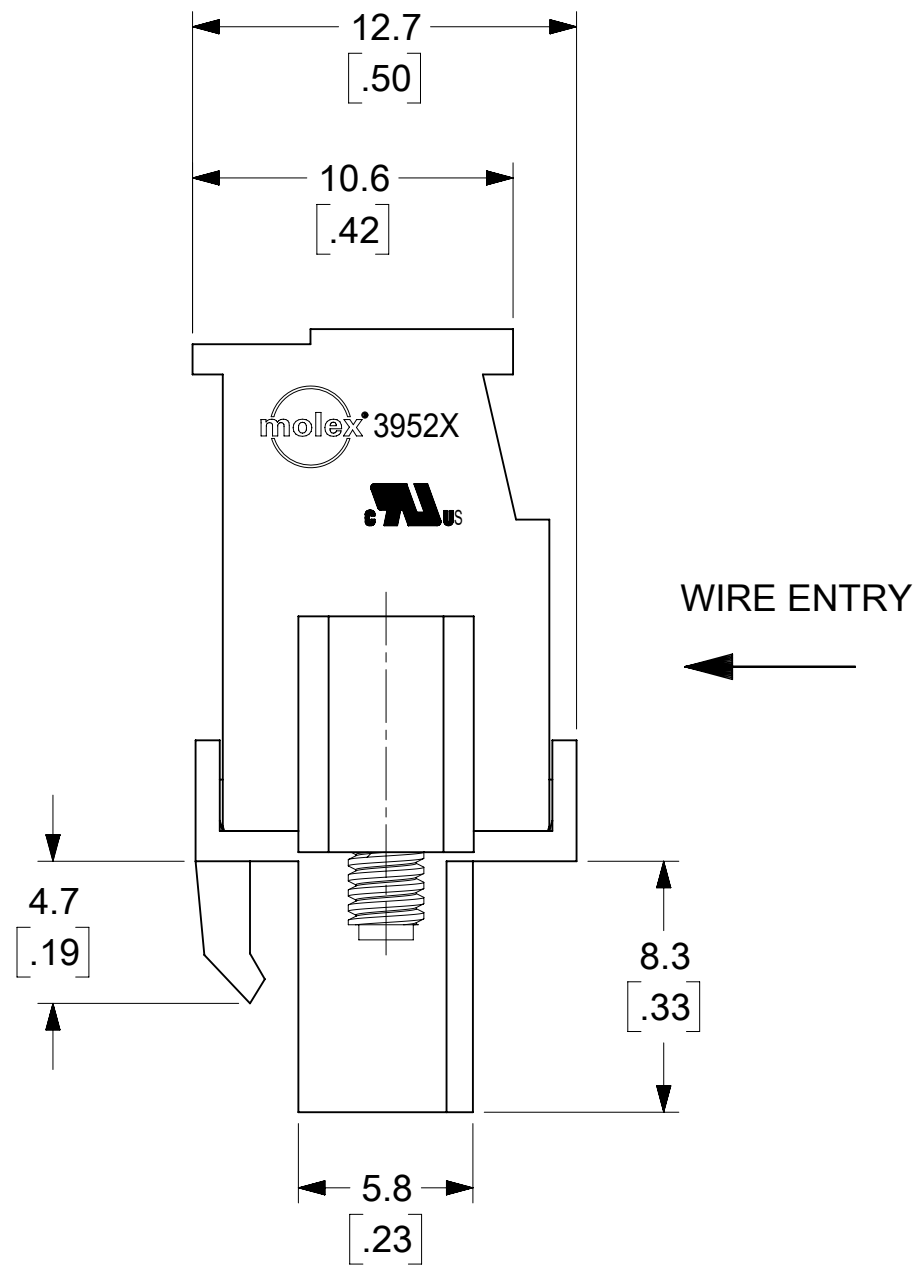
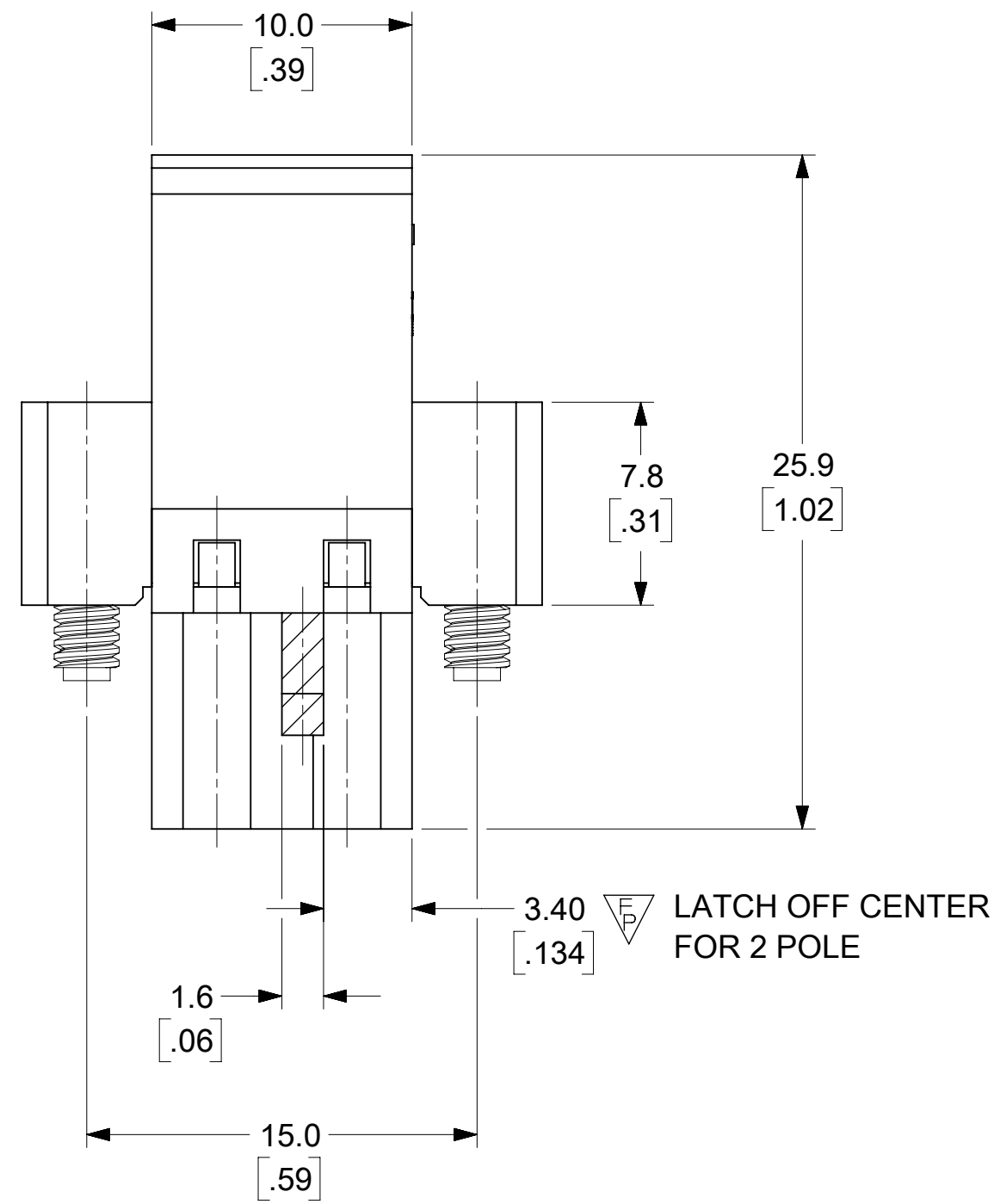
SPECIFICATIONS:

1. MATERIAL:
 - (A). BODY: PA66, UL94V-0
 - (B). M3 CLAMP SCREW: ZINC PLATED STEEL
 - (C). TERMINAL: TIN PLATED COPPER ALLOY
 - (D). CAGE: NICKEL PLATED BRASS
 - (E). COVER: PA66, UL94V-0
 - (F). MTG. SCREW: M2.5-STEEL, ZINC PLATED
2. WIRE RANGE: 12 - 30 AWG
3. ELETRICAL RATING: 300V, 18A PER UL
4. WIRE STRIP LENGTH: 5.0mm.
5. OPERATING TEMPERATURE: -40°C to +105°C.
6. MAX TORQUE: 5 IN-LBS.
7. INSULATION RESISTANCE: DC 500V, 500MΩ.
8. DIELECTRIC WITHSTAND: AC 2500V FOR 1 MINUTE.
9. BREAKDOWN VOLTAGE: 4000V.
10. CONTACT RESISTANCE: 10 mΩ.

| TOLERANCES | | | |
|------------|-------|------------|-------|
| MM | TOL | INCH | TOL |
| 0-6 | ±0.25 | 0-.24 | ±.010 |
| >6-30 | ±0.40 | >.24-1.18 | ±.016 |
| >30-120 | ±0.50 | >1.18-4.76 | ±.020 |
| >120 | ±0.80 | >4.76 | ±.031 |

| | | | | | | | | |
|--|---|----------------|-----------|--------------|--------------------------------------|------------------------|------------|------------|
| FUNCTIONAL SYMBOLS FA = 0 FC = 0 FE = 0 DIVISIONAL SYMBOLS | THIS DRAWING CONTAINS INFORMATION THAT IS PROPRIETARY TO MOLEX ELECTRONIC TECHNOLOGIES, LLC AND SHOULD NOT BE USED WITHOUT WRITTEN PERMISSION | | | | CURRENT REV DESC: REMOVED PCB LAYOUT | | | |
| | DIMENSION UNITS | | SCALE | | EC NO: 750901 | | 2023/05/24 | |
| | MM/INCH | | 4:1 | | DRWN: ABENJAMINLW | | 2023/05/24 | |
| | GENERAL TOLERANCES (UNLESS SPECIFIED) | | | | CHK'D: DACHAMMER | | 2023/05/25 | |
| 4 PLACES | | ± | --- | ± | --- | APPR: JFMURPHY | | 2023/05/25 |
| 3 PLACES | | ± | --- | ± | SEE CHART | INITIAL REVISION: | | |
| 2 PLACES | | ± | SEE CHART | ± | SEE CHART | DRWN: CYORK | | 2006/03/23 |
| 1 PLACE | | ± | SEE CHART | ± | --- | APPR: RDEROSS | | 2006/03/24 |
| 0 PLACES | | ± | --- | ± | --- | THIRD ANGLE PROJECTION | | |
| ANGULAR TOL ± --- | | | | DRAWING | | SERIES | | |
| DRAFT WHERE APPLICABLE MUST REMAIN WITHIN DIMENSIONS | | | | C-SIZE | | 39527 | | |
| DOCUMENT NUMBER | | CUSTOMER | | SHEET NUMBER | | DOC TYPE | | DOC PART |
| SD-39527-002 | | GENERAL MARKET | | 1 OF 3 | | PSD | | 001 C3 |

SEE SHEET-1 FOR SPECIFICATIONS



2 POLE ASSEMBLY FOR STANDARD LATCH POSITION

| TOLERANCES | | | |
|------------|-------|-----------|-------|
| MM | TOL | INCH | TOL |
| 0-6 | ±0.25 | 0-.24 | ±.010 |
| >6-30 | ±0.40 | .24-1.18 | ±.016 |
| >30-120 | ±0.50 | 1.18-4.76 | ±.020 |
| >120 | ±0.80 | >4.76 | ±.031 |

| | | | | | | | | | | | |
|--------------------|---|-------|--|--------------------------------------|--|--------------------------|--|--|----------------------------|---------------------------------|--|
| FUNCTIONAL SYMBOLS | THIS DRAWING CONTAINS INFORMATION THAT IS PROPRIETARY TO MOLEX ELECTRONIC TECHNOLOGIES, LLC AND SHOULD NOT BE USED WITHOUT WRITTEN PERMISSION | | | | | | | | | | |
| | DIMENSION UNITS | SCALE | | CURRENT REV DESC: REMOVED PCB LAYOUT | | | | | | | |
| $\frac{F}{A} = 0$ | MM/INCH | 4:1 | | EC NO: 750901 | | | | | | | |
| $\frac{F}{C} = 0$ | GENERAL TOLERANCES (UNLESS SPECIFIED) | | | DRWN: ABENJAMINLW 2023/05/24 | | | | | | VERTICAL RWE WITH MOUNTING ENDS | |
| $\frac{F}{P} = 1$ | | | | CHK'D: DACHAMMER 2023/05/24 | | | | | | PRODUCT CUSTOMER DRAWING | |
| DIVISIONAL SYMBOLS | | | | APPR: JFMURPHY 2023/05/25 | | | | | | DOCUMENT NUMBER | |
| | | | 4 PLACES ± --- ± --- | | | INITIAL REVISION: | | | SD-39527-002 | | |
| | | | 3 PLACES ± --- ± SEE CHART | | | DRWN: CYORK 2006/03/23 | | | DOC TYPE DOC PART REVISION | | |
| | | | 2 PLACES ± SEE CHART ± SEE CHART | | | APPR: RDEROSS 2006/03/24 | | | PSD 001 C3 | | |
| | | | 1 PLACE ± SEE CHART ± --- | | | MATERIAL NUMBER | | | SHEET NUMBER | | |
| | | | 0 PLACES ± --- ± --- | | | C-SIZE 39527 | | | 2 OF 3 | | |
| | | | ANGULAR TOL ± --- | | | THIRD ANGLE PROJECTION | | | GENERAL MARKET | | |
| | | | DRAFT WHERE APPLICABLE MUST REMAIN WITHIN DIMENSIONS | | | DRAWING | | | CUSTOMER | | |

| DESCRIPTION | CIRCUIT SIZE | MATERIAL NUMBERS | | | | | | | | | | | | DIMENSIONAL INFORMATION | | | | | |
|---|--------------|------------------|-----------|-----------|------------------|-----------|-----------|------------------|-----------|-----------|------------------|-----------|-----------|-------------------------|------|----------|-------|----------|------|
| | | BLACK | | | | | | GREEN | | | | | | | | | | | |
| | | 100% TIN | | | 30 u" GOLD | | | 100% TIN | | | 30 u" GOLD | | | DIM. "A" | | DIM. "B" | | DIM. "C" | |
| | | PRINTING OPTIONS | | | PRINTING OPTIONS | | | PRINTING OPTIONS | | | PRINTING OPTIONS | | | mm | inch | mm | inch | mm | inch |
| | | None | 10AV | 11AV | None | 10AV | 11AV | None | 10AV | 11AV | None | 10AV | 11AV | mm | inch | mm | inch | mm | inch |
| 5.0MM, EURO PLUG, VERTICAL RWE, MOUNTING ENDS | 2 | 395272002 | 395272302 | 395272402 | 395272502 | 395272802 | 395272902 | 395277002 | 395277302 | 395277402 | 395277502 | 395277802 | 395277902 | 20.0 | .79 | 5.00 | .197 | 15.0 | .59 |
| 5.0MM, EURO PLUG, VERTICAL RWE, MOUNTING ENDS | 3 | 395272003 | 395272303 | 395272403 | 395272503 | 395272803 | 395272903 | 395277003 | 395277303 | 395277403 | 395277503 | 395277803 | 395277903 | 25.0 | .98 | 10.00 | .394 | 20.0 | .79 |
| 5.0MM, EURO PLUG, VERTICAL RWE, MOUNTING ENDS | 4 | 395272004 | 395272304 | 395272404 | 395272504 | 395272804 | 395272904 | 395277004 | 395277304 | 395277404 | 395277504 | 395277804 | 395277904 | 30.0 | 1.18 | 15.00 | .591 | 25.0 | .98 |
| 5.0MM, EURO PLUG, VERTICAL RWE, MOUNTING ENDS | 5 | 395272005 | 395272305 | 395272405 | 395272505 | 395272805 | 395272905 | 395277005 | 395277305 | 395277405 | 395277505 | 395277805 | 395277905 | 35.0 | 1.38 | 20.00 | .787 | 30.0 | 1.18 |
| 5.0MM, EURO PLUG, VERTICAL RWE, MOUNTING ENDS | 6 | 395272006 | 395272306 | 395272406 | 395272506 | 395272806 | 395272906 | 395277006 | 395277306 | 395277406 | 395277506 | 395277806 | 395277906 | 40.0 | 1.57 | 25.00 | .984 | 35.0 | 1.38 |
| 5.0MM, EURO PLUG, VERTICAL RWE, MOUNTING ENDS | 7 | 395272007 | 395272307 | 395272407 | 395272507 | 395272807 | 395272907 | 395277007 | 395277307 | 395277407 | 395277507 | 395277807 | 395277907 | 45.0 | 1.77 | 30.00 | 1.181 | 40.0 | 1.57 |
| 5.0MM, EURO PLUG, VERTICAL RWE, MOUNTING ENDS | 8 | 395272008 | 395272308 | 395272408 | 395272508 | 395272808 | 395272908 | 395277008 | 395277308 | 395277408 | 395277508 | 395277808 | 395277908 | 50.0 | 1.97 | 35.00 | 1.378 | 45.0 | 1.77 |
| 5.0MM, EURO PLUG, VERTICAL RWE, MOUNTING ENDS | 9 | 395272009 | 395272309 | 395272409 | 395272509 | 395272809 | 395272909 | 395277009 | 395277309 | 395277409 | 395277509 | 395277809 | 395277909 | 55.0 | 2.17 | 40.00 | 1.575 | 50.0 | 1.97 |
| 5.0MM, EURO PLUG, VERTICAL RWE, MOUNTING ENDS | 10 | 395272010 | 395272310 | 395272410 | 395272510 | 395272810 | 395272910 | 395277010 | 395277310 | 395277410 | 395277510 | 395277810 | 395277910 | 60.0 | 2.36 | 45.00 | 1.772 | 55.0 | 2.17 |
| 5.0MM, EURO PLUG, VERTICAL RWE, MOUNTING ENDS | 11 | 395272011 | 395272311 | 395272411 | 395272511 | 395272811 | 395272911 | 395277011 | 395277311 | 395277411 | 395277511 | 395277811 | 395277911 | 65.0 | 2.56 | 50.00 | 1.969 | 60.0 | 2.36 |
| 5.0MM, EURO PLUG, VERTICAL RWE, MOUNTING ENDS | 12 | 395272012 | 395272312 | 395272412 | 395272512 | 395272812 | 395272912 | 395277012 | 395277312 | 395277412 | 395277512 | 395277812 | 395277912 | 70.0 | 2.76 | 55.00 | 2.165 | 65.0 | 2.56 |
| 5.0MM, EURO PLUG, VERTICAL RWE, MOUNTING ENDS | 13 | 395272013 | 395272313 | 395272413 | 395272513 | 395272813 | 395272913 | 395277013 | 395277313 | 395277413 | 395277513 | 395277813 | 395277913 | 75.0 | 2.95 | 60.00 | 2.362 | 70.0 | 2.76 |
| 5.0MM, EURO PLUG, VERTICAL RWE, MOUNTING ENDS | 14 | 395272014 | 395272314 | 395272414 | 395272514 | 395272814 | 395272914 | 395277014 | 395277314 | 395277414 | 395277514 | 395277814 | 395277914 | 80.0 | 3.15 | 65.00 | 2.559 | 75.0 | 2.95 |
| 5.0MM, EURO PLUG, VERTICAL RWE, MOUNTING ENDS | 15 | 395272015 | 395272315 | 395272415 | 395272515 | 395272815 | 395272915 | 395277015 | 395277315 | 395277415 | 395277515 | 395277815 | 395277915 | 85.0 | 3.35 | 70.00 | 2.756 | 80.0 | 3.15 |
| 5.0MM, EURO PLUG, VERTICAL RWE, MOUNTING ENDS | 16 | 395272016 | 395272316 | 395272416 | 395272516 | 395272816 | 395272916 | 395277016 | 395277316 | 395277416 | 395277516 | 395277816 | 395277916 | 90.0 | 3.54 | 75.00 | 2.953 | 85.0 | 3.35 |
| 5.0MM, EURO PLUG, VERTICAL RWE, MOUNTING ENDS | 17 | 395272017 | 395272317 | 395272417 | 395272517 | 395272817 | 395272917 | 395277017 | 395277317 | 395277417 | 395277517 | 395277817 | 395277917 | 95.0 | 3.74 | 80.00 | 3.150 | 90.0 | 3.54 |
| 5.0MM, EURO PLUG, VERTICAL RWE, MOUNTING ENDS | 18 | 395272018 | 395272318 | 395272418 | 395272518 | 395272818 | 395272918 | 395277018 | 395277318 | 395277418 | 395277518 | 395277818 | 395277918 | 100.0 | 3.94 | 85.00 | 3.346 | 95.0 | 3.74 |
| 5.0MM, EURO PLUG, VERTICAL RWE, MOUNTING ENDS | 19 | 395272019 | 395272319 | 395272419 | 395272519 | 395272819 | 395272919 | 395277019 | 395277319 | 395277419 | 395277519 | 395277819 | 395277919 | 105.0 | 4.13 | 90.00 | 3.543 | 100.0 | 3.94 |
| 5.0MM, EURO PLUG, VERTICAL RWE, MOUNTING ENDS | 20 | 395272020 | 395272320 | 395272420 | 395272520 | 395272820 | 395272920 | 395277020 | 395277320 | 395277420 | 395277520 | 395277820 | 395277920 | 110.0 | 4.33 | 95.00 | 3.740 | 105.0 | 4.13 |
| 5.0MM, EURO PLUG, VERTICAL RWE, MOUNTING ENDS | 21 | 395272021 | 395272321 | 395272421 | 395272521 | 395272821 | 395272921 | 395277021 | 395277321 | 395277421 | 395277521 | 395277821 | 395277921 | 115.0 | 4.53 | 100.00 | 3.937 | 110.0 | 4.33 |
| 5.0MM, EURO PLUG, VERTICAL RWE, MOUNTING ENDS | 22 | 395272022 | 395272322 | 395272422 | 395272522 | 395272822 | 395272922 | 395277022 | 395277322 | 395277422 | 395277522 | 395277822 | 395277922 | 120.0 | 4.72 | 105.00 | 4.134 | 115.0 | 4.53 |
| 5.0MM, EURO PLUG, VERTICAL RWE, MOUNTING ENDS | 23 | 395272023 | 395272323 | 395272423 | 395272523 | 395272823 | 395272923 | 395277023 | 395277323 | 395277423 | 395277523 | 395277823 | 395277923 | 125.0 | 4.92 | 110.00 | 4.331 | 120.0 | 4.72 |
| 5.0MM, EURO PLUG, VERTICAL RWE, MOUNTING ENDS | 24 | 395272024 | 395272324 | 395272424 | 395272524 | 395272824 | 395272924 | 395277024 | 395277324 | 395277424 | 395277524 | 395277824 | 395277924 | 130.0 | 5.12 | 115.00 | 4.528 | 125.0 | 4.92 |

| TOLERANCES | | | |
|------------|-------|-----------|-------|
| MM | TOL | INCH | TOL |
| 0-6 | ±0.25 | 0-.24 | ±.010 |
| >6-30 | ±0.40 | .24-1.18 | ±.016 |
| >30-120 | ±0.50 | 1.18-4.76 | ±.020 |
| >120 | ±0.80 | >4.76 | ±.031 |

| | | | | | | | | | | | | |
|--------------------|---|-------------------------|---|-----------------|----------------|--------------|----------|--|--|--|--|--|
| FUNCTIONAL SYMBOLS | THIS DRAWING CONTAINS INFORMATION THAT IS PROPRIETARY TO MOLEX ELECTRONIC TECHNOLOGIES, LLC AND SHOULD NOT BE USED WITHOUT WRITTEN PERMISSION | | | | | | | | | | | |
| FA = 0 | DIMENSION UNITS | SCALE | CURRENT REV DESC: REMOVED PCB LAYOUT | | | | | | | | | |
| FC = 0 | MM/INCH | 1:1 | molex 5.0MM EURO PLUG ASSY VERTICAL RWE WITH MOUNTING ENDS | | | | | | | | | |
| FP = 0 | GENERAL TOLERANCES (UNLESS SPECIFIED) | | | | | | | | | | | |
| DIVISIONAL SYMBOLS | 4 PLACES | ± --- ± --- | EC NO: 750901 | | | | | | | | | |
| | 3 PLACES | ± --- ± SEE CHART | DRWN: ABENJAMINLW 2023/05/24 | | | | | | | | | |
| | 2 PLACES | ± SEE CHART ± SEE CHART | CHK'D: DACHAMMER 2023/05/24 | | | | | | | | | |
| | 1 PLACE | ± SEE CHART ± --- | APPR: JFMURPHY 2023/05/25 | | | | | | | | | |
| | 0 PLACES | ± --- ± --- | INITIAL REVISION: | | | | | | | | | |
| | ANGULAR TOL | ± --- | DRWN: CYORK 2006/03/23 | | | | | | | | | |
| | DRAFT WHERE APPLICABLE MUST REMAIN WITHIN DIMENSIONS | | APPR: RDEROSS 2006/03/24 | | | | | | | | | |
| | THIRD ANGLE PROJECTION | DRAWING | SERIES | DOCUMENT NUMBER | DOC TYPE | DOC PART | REVISION | | | | | |
| | | C-SIZE | 39527 | SD-39527-002 | PSD | 001 | C3 | | | | | |
| | | | | MATERIAL NUMBER | CUSTOMER | SHEET NUMBER | | | | | | |
| | | | | SEE CHART | GENERAL MARKET | 3 OF 3 | | | | | | |